

S I G H T  M A R K [®]

USER MANUAL



WOLF HOUND
3x24
6x44

ABOUT SIGHTMARK®

Sightmark offers a wide range of products that include red dot scopes, reflex sights, rangefinders, riflescopes, laser sights, night vision and award-winning flashlights and boresights. Sightmark products are inspired by military and law enforcement applications. All products are designed to be the most effective weapon accessories possible.

Sightmark - MAKE YOUR MARK

S I G H T  M A R K®

WOLFHOUND

6x44 Prismatic Weapon Sight

Hunt down your target with the speed and agility of the military-inspired Sightmark® Wolfhound 6x44 Prismatic Weapon Sight. Designed for quick-target acquisition on an AR platform, the device features an advanced horseshoe dot reticle to compensate for bullet drop and an impressive 2.8-inch eye relief – longer than most on the market – for a natural, comfortable shooting stance. The reticle is ballistically matched to .223, 55 and 62 grain with holdovers from 300 to 900 yards. Equipped with a .5 MOA central aiming point for precision long-range shooting and a 7.5 MOA outer circle for flawless close-range shooting, the Wolfhound 6x44 is the ideal optic for the experienced shooter wanting to make their mark.

3x24 Prismatic Weapon Sight

Delivering flawless short- to medium-range shots on an AR platform, the Sightmark® Wolfhound 3x24 Prismatic Weapon Sight is ideal for a variety of challenging shooting situations including 3-gun competitions, hunting and law enforcement applications. The Wolfhound 3x24 Sight is a military-inspired, fast-paced optical device featuring a 3x magnification and an advanced Horseshoe Dot reticle that's also ballistically matched to .223, 55 and 62 grain with holdovers from 300 to 900 yards. Its fixed power keeps the object in focus at 10 yards or more.

Compact enough to not weigh down the rifle, but durable enough to shield from impact, the device includes a built-in aluminum picatinny mount and rubber armor finish. Fully submersible, both Wolfhounds are 100% water-proof, dust proof and shock proof.

TECHNICAL SPECIFICATIONS

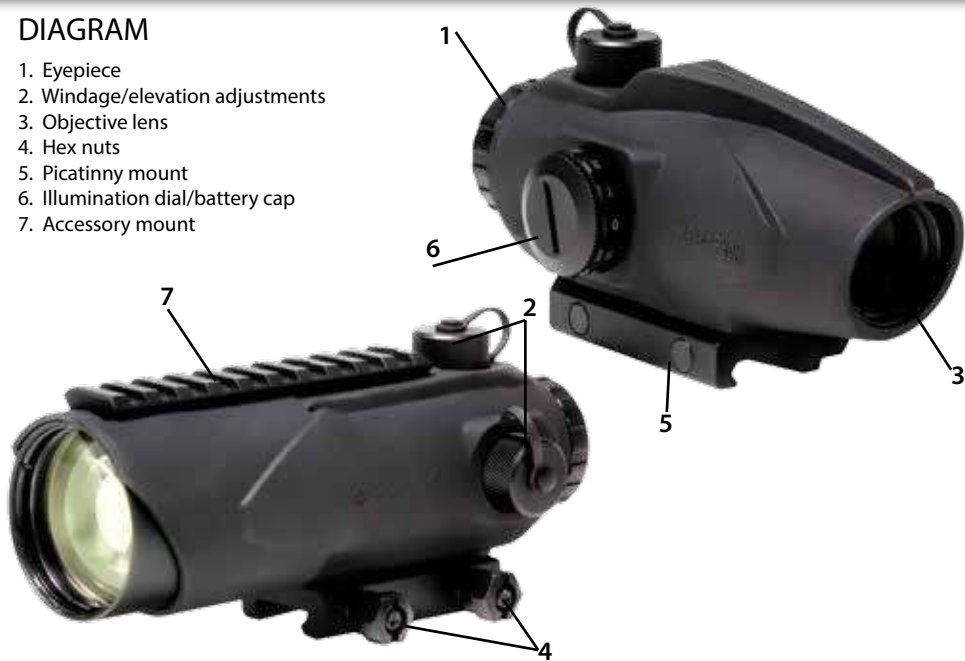
Reticle type	HS-223	HS-223
Reticle color	Red/green	Red/green
Reticle brightness settings	5	5
Magnification	3x	6x
Objective lens diameter	24mm	44mm
Eye relief	72mm	72mm
Field of view (m@100m)	10.48	3.3
Diopter adjustment	+3~-3	+3~-3
Parallax settings	100yds	100yds
Windage/elevation max.	180MOA	80MOA
MOA adjustment (1 click)	1/2	1/4
IP Standard	IP68-submersible to 3m	IP68-submersible to 3m
Body material	aluminum-6061/rubber	aluminum-6061/rubber
Lens coatings	fully multi-coated AR green	fully multi-coated AR green
Mount type	picatinny	picatinny
Operating temperature	-40 to 160°F	-40 to 160°F
Dimensions	150x72x77mm	170x72x77
Weight	17.2oz	23oz

INCLUDED:

- Rubber lens cover
- Honeycomb filter
- CR2032 battery

DIAGRAM

1. Eyepiece
2. Windage/elevation adjustments
3. Objective lens
4. Hex nuts
5. Picatinny mount
6. Illumination dial/battery cap
7. Accessory mount



BATTERY INSTALLATION

WARNING: Always follow your firearm's instruction manual and warnings. Follow safe firearm practices.

The Sightmark Wolfhound Prismatic Sight is powered by a CR2032 battery. Should the reticle illumination grow dim or not illuminate, the battery needs to be replaced. To install a new battery:

1. Unscrew the battery cap (6) counterclockwise with a coin or flathead screwdriver.
2. Insert the new battery with the positive side facing up (+).
3. Screw the battery cap on clockwise until firmly secure. Do not over tighten.



ILLUMINATION CONTROL

The Sightmark Wolfhound uses an etched reticle. The reticle can be used without illumination and will appear black. To activate the reticle illumination in red or green:

1. Rotate the illumination dial (6) either clockwise or counterclockwise. The dial is marked in red and green numbers ranging from 0 (off) to 5. Setting 5 is best for bright, outdoor environments. Setting 1 is best for low light, indoor environments.
2. Set the dial so the number indicating desired color and brightness faces the shooter or the white indication mark on the housing.
3. To turn off, rotate the dial to the zero setting.

MOUNTING*

WARNING: Never attempt to mount the sight on a loaded firearm. Always check that the firearm is unloaded and free of ammunition.

The Sightmark Wolfhound includes an integrated picatinny mount (5). To mount, position the sight so the eyepiece (1) faces the shooter.

1. Loosen the two hex nuts (4) on the mount. Attach the Wolfhound to the firearm's rail. Make sure the recoil bolt is

positioned in the groove of the rail.

2. Make sure the Wolfhound is properly engaged with the firearm's base and evenly tighten the hex nuts to 35-45 in/lbs of torque.

3. Check for proper eye relief and that you can see the full field of view through the sight while holding the rifle in a shooting stance. If the full field of view cannot be obtained, mount the sight in the next forward or backward groove space.

**Note: To prevent injury from recoil, position the sight so that there is at least two inches of eye relief once the scope is attached. The Wolfhound provides 2.8" of eye relief so the sight can be used safely.*

DIOPTER ADJUSTMENT

The Sightmark Wolfhound's eyepiece (1) is designed to rotate to adjust for diopter. The diopter is the measurement of the eye's curvature. Human's eyes are all curved differently. If the reticle does not appear clear, crisp, nor sharp, rotate the eyepiece until the reticle becomes clear and sharp. This adjustment should stay the same unless the riflescope's operator changes.



OPERATING THE WINDAGE AND ELEVATION ADJUSTMENTS

The Sightmark Wolfhound has built-in windage and elevation adjustments (2) with audible clicks. The 3x24 Wolfhound has 1/2 MOA clicks meaning the point of impact will shift 1/2" at 100 yards. The 6x44 Wolfhound has 1/4 MOA clicks. In order to make windage and elevation adjustments:

1. Unscrew the dial covers and use a coin or flathead screwdriver to make adjustments or "clicks".
2. Turn the adjustments in the appropriate direction needed to change the point-of-impact as indicated by the "UP" and "L" (left) arrows marked on the adjustments.

BORESIGHTING & SIGHTING IN

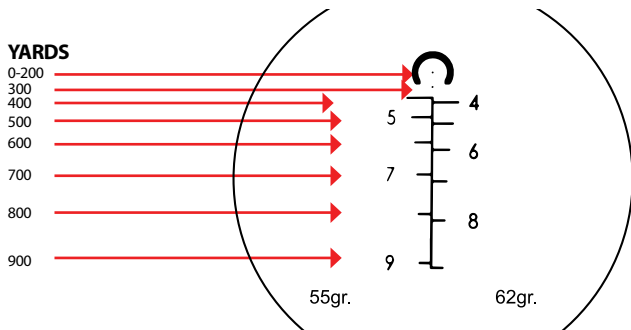
Boresighting and test firing should be performed safely on a firing range. **WARNING:** Always follow your firearm's instruction manual and warnings. Follow safe firearm practices. Laser boresights are a quick and accurate method for sighting in. Below is listed the traditional method of boresighting.

1. When mounting the sight on a bolt action rifle, remove the bolt; or when mounting to a semi-automatic rifle, disassemble the rifle until there is a straight line of sight throughout the bore.
2. Use a target at least 20 to 50 yards away when sighting in the sight. Look through the bore of the weapon and locate the bulls-eye of the target.
3. Sight in the target through the bore and then make windage and elevation adjustments (see "operating the windage and elevation adjustments" for instructions) to the riflescope until the reticle is centered on the bull's-eye. To verify the riflescope is accurately sighted in, always fire a three-shot test group at 100 yards preferably using the same ammo manufacturer, grain and lot number.
4. After firing a group, use the center of this grouping and make the necessary amount of adjustments to move your firearm's grouping to the center of the target.
5. Again fire a three-shot test group to confirm the adjustments. Use the center of the new group to determine the final adjustments.

USING THE HS-223 RETICLE

The Sightmark Wolfhound is equipped with the HS-223 horseshoe reticle. The HS-223 is designed for close and long range shooting with the addition of ballistic holdovers designed for the .223 Remington 55 and 62 grain cartridge. The outer circle is utilized for quick target acquisition at close ranges. The .5 MOA central aiming dot provides exceptional accuracy at the 100 yards and beyond. A secondary .5 MOA aiming point lies at the base of the outer circle, providing a 300 yard holdover reference. The remaining horizontal lines below provide holdover references from 400 to 900 yards and ranging capability. **NOTE:** The reticle can be used with various barrel lengths accurately.

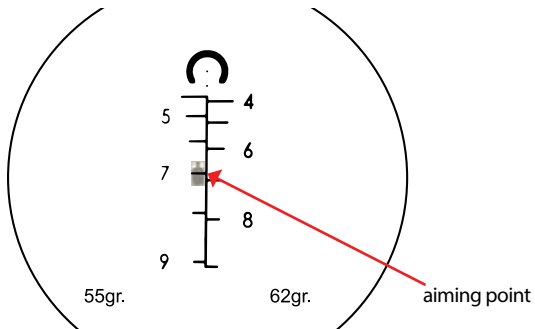
The central aiming dot is intended to use a 50/200 battlesight zero or be zeroed at 100 yards. The .223 Remington has a relatively flat trajectory out of 200 yards. For a battlesight zero the sight will be zeroed at 50 yards with sub MOA accuracy at 200 yards. If firing at 100 yards, a minor compensation of holding .5" low on the target (.5 MOA) should be made. If using a 100 yard zero the sight will remain effective at 200 yards through a minor compensation of holding 3" high on the target (1.5 MOA).



HS-223 reticle with holdover references

Ranging with the HS-223 reticle is simple by matching a horizontal subtension to the shoulder width of a target. For example, by matching the shoulder width of a silhouette target at the number "4" mark the target is approximately 400 yards away. Each single digit number corresponds to its yardage mark, 4-400yds, 5-500yds, etc. Note that if the target is 300 yards away, the shoulder width will match the base of the outercircle. The same horizontal mark corresponds to the **7**

holdover reference for bullet drop compensation with 55 grain holdovers located on the left side and 62 grain holdovers located on the right side of the reticle. For shot placement, aim with the intersection of the vertical subtension and the target's corresponding range mark.



Example: silhouette target matches 700 yard mark. Aiming point is marked.

ACCESSORY MOUNTING

The Wolfhound 6x44 includes a top mounted picatinny rail (7) for mounting accessories such as a compact reflex sight to be used as a backup optical sight for close range shots. To mount accessories to this rail follow the products proper mounting procedures.

MAINTENANCE

Proper maintenance of the Sightmark Wolfhound is recommended to ensure longevity. It is recommended that when the sight becomes dirty that it is wiped down with a dry or slightly damp cloth. Blow dirt and debris off all optics and then clean lenses with a lens cleaning cloth. To remove oils or dried water spots, apply a small amount of denature alcohol to a lens cloth or cotton swab. Clean the surface of the lens and let dry. Finally use your breath to clean the lens once more. No further maintenance is required. Do not attempt to disassemble any components of the scope.

STORAGE

Make sure that your Sightmark Wolfhound is securely attached to your rifle before storing, and be sure that the unit is turned off. Cover with the included lens cover. Remove the batteries if the unit will be stored for an extended period of time.

WARNING

Before handling the Sightmark Wolfhound Prismatic Sight read and understand the contents of your firearm's manual and the Sightmark Wolfhound manual. Follow all standard safety precautions and procedures during firearm operation, even when the prismatic sight is not in use.

- Avoid hitting or dropping the unit
- ALWAYS check that the chamber of your weapon is clear before mounting or dismounting the prismatic sight.
- The reticle illumination should be tested during periods of non-use to make sure it is still operating properly. Failure to follow standard firearm safety precautions and procedures, as well as the above warnings, is dangerous and may result in serious injury, damage to property or death.

TROUBLESHOOTING

Never ship back a product without getting proper authorization beforehand. Doing so could result in losing the product due to a multitude of reasons, i.e. sending it to the wrong address and other problems associated with unexpected packages.

If the Wolfhound does not hold zero:

1. Verify the sight is mounted securely to the rifle. If the sight can be shifted in any direction, retighten the hex nuts according to the mounting instructions but do not overtighten. The sight will need to be re-zeroed afterwards.
2. Be sure to use factory-loaded ammunition of the same bullet type, weight and preferably lot number when sighting in.

The reticle does not illuminate:

1. Check that the battery is working. Also, check the polarity of the battery.
2. Check that there is no residue, film, or corrosion on the battery contacts that may be preventing the reticle from illuminating.

The reticle is blurry and not in focus:

1. Rotate the eyepiece to adjust the diopter adjustment until the reticle becomes clear and sharp

The reticle has a halo or is fuzzy:

1. Decrease the brightness level of the reticle. The halo or fuzzy appearance is caused by excess illumination than is required for the current environment the sight is being used in.

The reticle illumination turns off while firing:

1. Tighten the battery cap with a coin or flathead screwdriver so the cap is fully seated.

SIGHTMARK LIMITED WARRANTY

Please visit www.sightmark.com for warranty details and information.

S I G H T  M A R K [®]

www.sightmark.com