

A BETTER VIEW OF THE WORLD

MEOPRO® SERIES
RIFLESCOPE
USER MANUAL



CONGRATULATIONS
ON YOUR NEW MEOPTA®
MEOPRO® SERIES
RIFLESCOPE.

MeoPro® riflescopes are premium quality, high performance telescopic sighting instruments that are considered to be among the finest in the world.

Through the use of only the highest quality materials, state of the art manufacturing processes and stringent quality control, MeoPro® riflescopes are designed to provide the user with a lifetime of dependable service and superior optical and mechanical performance.

We thank you for your confidence in Meopta® brand sports optics for your hunting and shooting adventures.



The following items are included in the box:

MeoPro® rifle scope



Ocular lens cover



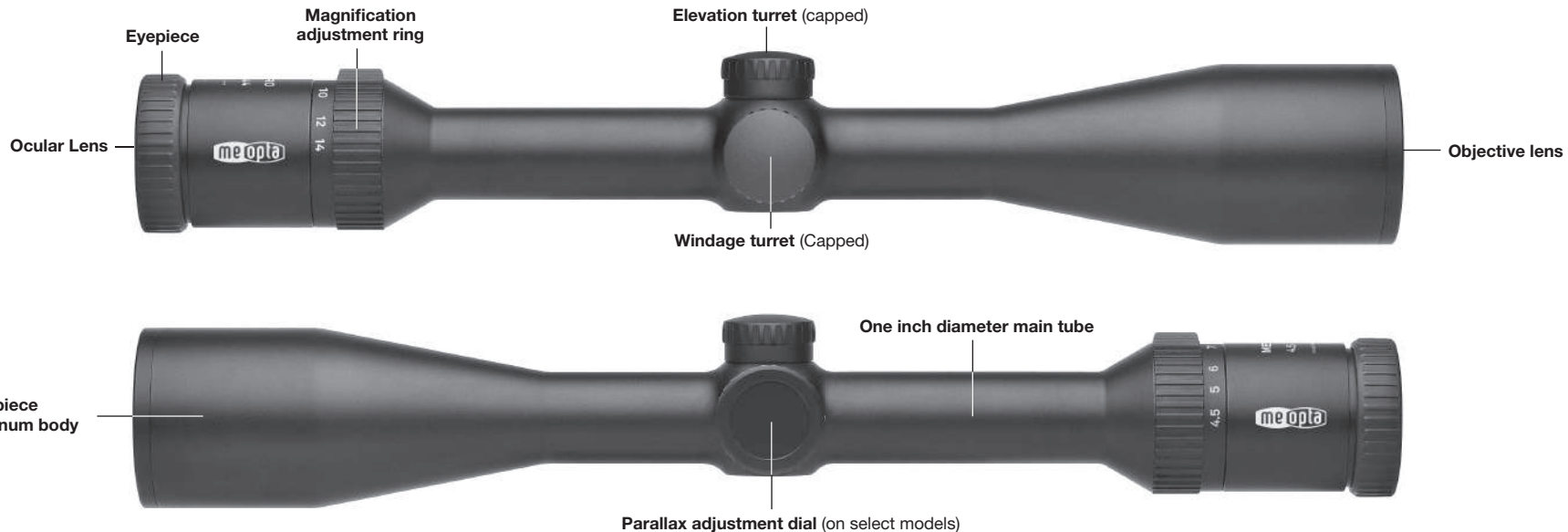
Objective lens cover



Antistatic cleaning cloth

Warranty card

Owner's manual



The MeoPro® riflescope is a precision optic used to magnify a target as well as serve as a sighting system that enhances the accuracy of a firearm.

1 Focusing – The riflescope is focused by turning the eyepiece. It's suggested to focus at maximum power. The range of adjustment is -2,5 / +1,75 D. To protect from injury the eyepiece is fitted with a rubber ocular ring.

2 Magnification – Adjustments in magnification power are made by turning the magnification adjustment ring. The level of magnification is indicated by numbered settings located on the magnification adjustment ring.

3 Point of impact – Adjustments are made by manipulating the precision elevation and windage dials (shown with caps in place) on the scope's turret assemblies. The turret dials are finger adjustable, providing positive click-stop point of impact adjustments. Select models feature turret dials with resettable zero function.

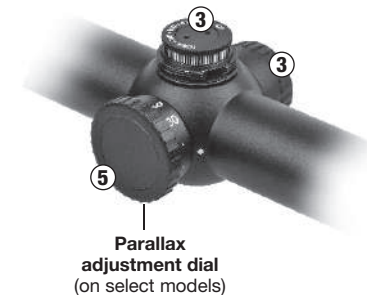
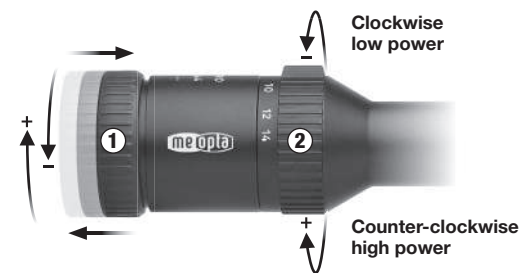
4 Scope Body – The one-piece body is precision machined from aircraft grade aluminum alloy ensuring maximum strength and durability of the scope tube. All variable and fixed power MeoPro® riflescopes feature a 1" main tube diameter.

5 Parallax Adjustment – Select MeoPro® riflescope models are equipped with a side parallax adjustment dial. The dial allows the shooter to correct for parallax at any range between a minimum yardage to infinity ∞.

Meopta® offers a selection of reticles suited to the individual needs of hunters and shooters. Please see page 14 for reticle information.

MeoPro® riflescopes are guaranteed waterproof, fogproof and shockproof.

MeoPro® riflescopes can be mounted on a wide variety of firearms.



It is recommended that the scope mounting procedure be performed by a professional gunsmith. Meopta® recommends the use of high quality mounts with all Meopta® MeoPro® riflescopes.

- ① The MeoPro® riflescope should be secured to a firearm by means of a high quality, 1 inch ring and base set.
- ② MeoPro® riflescopes provide up to 4" of eye relief. The riflescope should be positioned in the rings at its listed eye relief value from the aiming eye to provide a full field of view. Please review the riflescope specification chart on page 22 for your specific models eye relief values.



MeoTrak™ RZ
Resettable zero,
finger adjustable.
See page 9.



MeoTrak™ TRZ
Target turrets,
resettable zero,
finger adjustable.
See page 11.



MeoTrak™ RZ turrets (Resettable zero) – Adjusting point of aim.

After removing the turret caps you can adjust the reticle in elevation (vertically) and windage (horizontally) by turning the appropriate dials. Moving either dial 1 click corresponds to a shift of ¼" at 100 yards (0.7cm at 100m). Replace turret caps after making adjustments.

① Elevation adjustment:

If the rifle shoots low, an upward correction ("U" direction) is required. Turn the elevation dial counter clockwise.

If the rifle shoots high, a downward correction is required. Turn the elevation dial clockwise.

② Windage adjustment:

If the rifle shoots to the left, a correction to the right ("R" direction) is required. Turn the elevation dial counter clockwise.

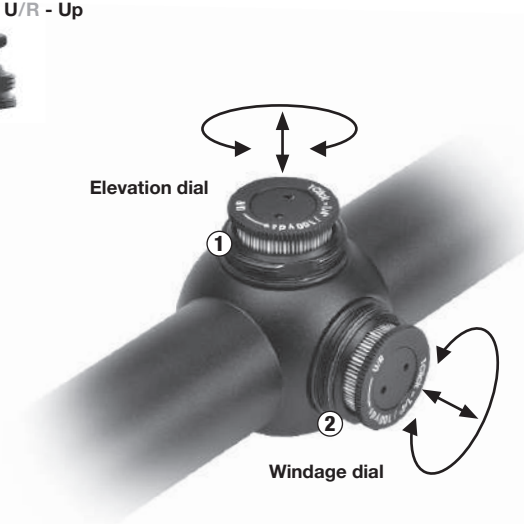
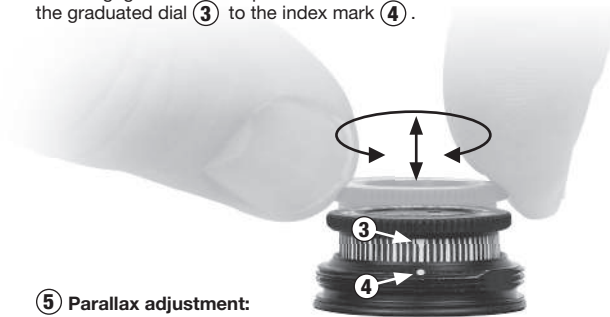
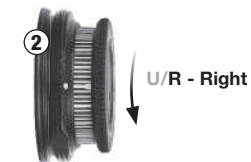
If the rifle shoots right, a correction to the left is required. Turn the elevation dial clockwise.

Resetting turret dial to zero:

After adjusting point of aim, pull up the elevation or windage dial to disengage the click-stop mechanism and set the zero mark on the graduated dial **③** to the index mark **④**.

⑤ Parallax adjustment:

- 1) The reticle and target should be in focus.
- 2) Turn the parallax dial to the estimated distance to your target. The dial is marked at 30 30 (50 for the model 6,5-20x50) and infinity ∞.
- 3) Look through the scope at the aim point of the reticle.
- 4) Move your head slightly up and down while turning the parallax dial until the reticle does not move in relation to the target.

**Windage dial**

MeoTrak™ TRZ target turrets (Resettable zero) – Adjusting point of aim.

You can adjust the reticle in elevation (vertically) and windage (horizontally) by turning the appropriate dials. Moving either dial 1 click corresponds to a shift of ¼" at 100 yards (0.7cm at 100m).

① Elevation adjustment:

If the rifle shoots low, an upward correction ("UP" direction) is required. Turn the elevation dial clockwise.

If the rifle shoots high, a downward correction is required. Turn the elevation dial counter clockwise.

② Windage adjustment:

If the rifle shoots to the left, a correction to the right is required. Turn the windage dial clockwise.

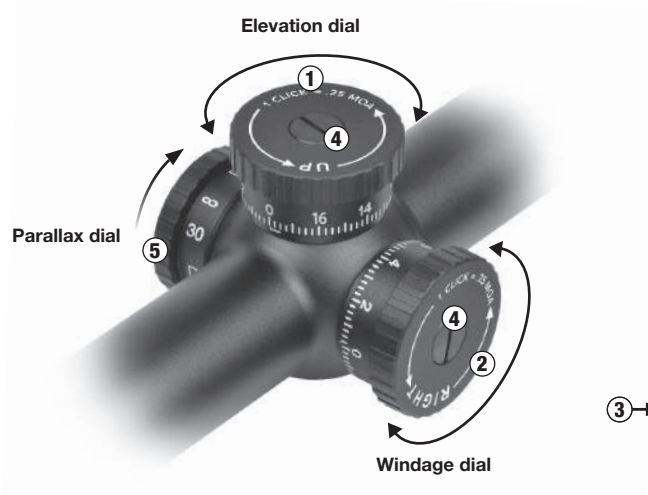
If the rifle shoots right, a correction to the left is required. Turn the windage dial counter clockwise.

Resetting turret dial to zero:

After adjusting point of aim, loosen the turret screw, pull up the elevation or windage dial to disengage the click-stop mechanism and set the zero mark on the dial to the index mark **③**. Tighten the turret screw **④**.

⑤ Parallax adjustment:

- 1) The reticle and target should be in focus.
- 2) Turn the parallax dial to the estimated distance to your target. The dial is marked at 30 and infinity ∞.
- 3) Look through the scope at the aim point of the reticle.
- 4) Move your head slightly up and down while turning the parallax dial until the reticle does not move in relation to the target.

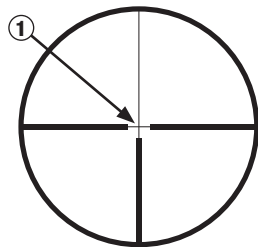


IMPORTANT!

- * Never aim directly at the sun with the riflescope!
- * Viewing the sun directly with the scope can cause permanent eye damage!
- * Always properly identify your target!

Reticle usage

① The intersection of the reticle determines the center of the scope's field of view. If the scope is properly mounted and zeroed, the position of the intersection of the reticle will determine the point of impact when placed on a target, at the range at which the firearm was zeroed.



2nd focal plane reticles

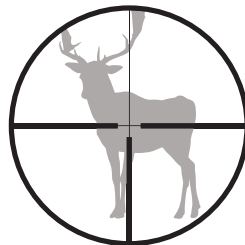
MeoPro® riflescopes feature 2nd focal plane reticle placement. As a result, only the target becomes larger as the level of magnification is increased; the apparent size of the reticle remains constant throughout the entire range of magnification.

Note:
Fixed magnification riflescopes are not affected by the reticle position

The apparent size of the reticle remains constant throughout the entire range of magnification

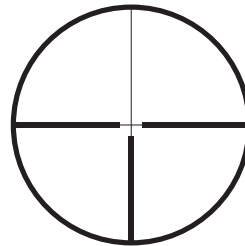


Low magnification

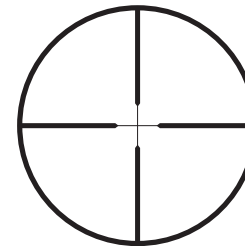


High magnification

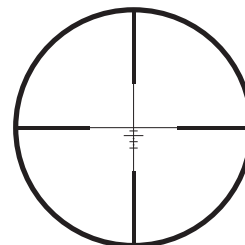
MeoPro® reticle selection



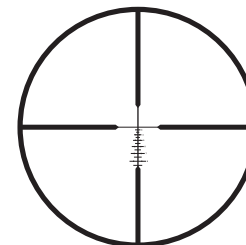
4



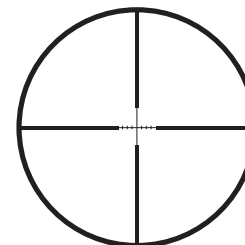
Z



BDC



McWhorter HV



WindMax 8

BDC Reticle

A Meopta® bullet drop compensating (BDC) reticle enables shooters to compensate for the amount a bullet drops over a particular distance. Markings below the reticle's center indicate the expected impact point at a given distance, with lower markings showing the expected impact point at longer distances.

The following guidelines indicate the approximate bullet drop for a center fire hunting rifle such as a .30-06 or 270 when the target is magnified at the highest power.

The amount of bullet drop at a given distance depends on the type of firearm and ammunition being used. Testing at a range is recommended to precisely determine how much bullet drop is expected with your personal rifle and load combination.

The BDC reticle markings assume that the rifle has been sighted in at 100 yards while magnified at the highest power. Therefore, bullet drop at 100 yards, indicated by the reticle's center, would be zero.

BDC Reticle Bullet Drop

Reticle center on target at 100 yards

1st line below center drop at 200 yards – Drop 3 inches

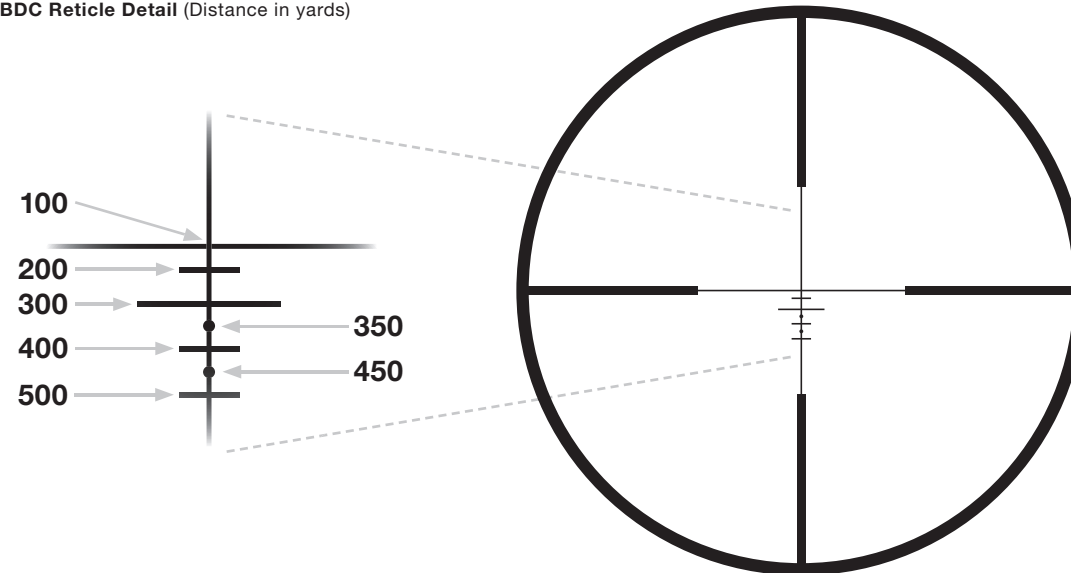
2nd line drop at 300 yards – Drop 11.3 inches

1st dot below center drop at 350 yards – Drop 17.8 inches

3rd line drop at 400 yards – Drop 25.9 inches

2nd dot drop at 450 yards – Drop 35.9 inches

4th line drop at 500 yards – Drop 47.9 inches

BDC Reticle Detail (Distance in yards)

Note: Please use the online Meopta Ballistic Calculator to accurately determine your personal shot trajectory.

MEOPTA BALLISTIC CALCULATOR:
<http://calculator.meoptasportsoptics.com>

MeoPro® Series Models



3-9x40 | Reticles: 4, Z, BDC
3-9x40 R/M | (Rimfire/Muzzleloader) | Reticles: 4, Z, BDC



4.5-14x44 | Reticles: Z, BDC, McWhorter HV



4.5-14x50 | Reticles: Z, BDC, McWhorter HV



6.5-20x50 | Reticles: BDC, McWhorter HV



4.5-14x44 HTR | Reticles: Z, BDC, McWhorter HV



4.5-14x50 HTR | Reticles: Z, BDC, McWhorter HV



6.5-20x50 HTR | Reticles: Z, BDC, McWhorter HV,
WindMax 8

The MeoPro® rifle scope is waterproof, fogproof and shockproof. Nevertheless, like other premium quality optical-mechanical instruments, it requires careful handling and cleaning to protect the high-performance optical surfaces.

MeoPro® scopes are supplied with two lens covers and an antistatic cleaning cloth. When the scope is not in use, it is advised to protect the optical surfaces by keeping the lens covers in place.

Dust that becomes deposited on mechanical parts of the scope should be removed with a fine cloth. Dust that becomes deposited on optical surfaces should first be removed by blowing off the heaviest deposits, and then lightly wiping the surface with the antistatic cloth that is supplied with the scope.

If the scope is used in wet weather, it is recommended to dry the scope properly with a soft cloth.



The ocular and objective lens covers are tethered by a flexible rubber ring which attaches to the scope body.

Each MeoPro® rifle scope is supplied with ocular and objective lens covers. Please cover lenses as shown when scope is not in use.



Each MeoPro® rifle scope is supplied with a micro fiber cloth for cleaning lens surfaces. Please remove dust and debris before using cloth.



MeoPro® Rifle Scope Technology**TO2™ Twilight Optimized Optics**

Our proprietary ion-assisted anti-reflective lens coatings – combined with high-performance Schott glass – minimize light absorption in the optical system and maximize the transmission of low light wavelengths during critical twilight conditions. Optimized to deliver the highest possible light transmission rates in the 480nm (twilight) range of the visible light spectrum. This optimization guarantees the brightest optical performance.

MEOBRIGHT™ Ion-Assisted Lens Multi-Coatings

Our proprietary, high-performance ion-assisted multi-coating featured on MeoPro® series binoculars. MeoBright™ delivers an outstanding 99.7% light transmission per lens surface while suppressing reflections and glare.

MEOSHIELD™ Abrasion Resistant Lens Coating

A proprietary ion-assisted coating protects external lens surfaces and delivers enhanced resistance to scratching or abrasion in extreme conditions. Meets military specifications for durability and surface hardness.

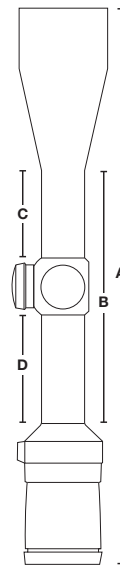
MEOTRAK™ RZ | MEOTRAK™ TRZ Turrets

Posi-click finger adjustable windage and elevation turrets deliver precise, click adjustment with superior repeatability and unparalleled tracking capability and ultimate accuracy. Positive tactile and audible clicks ensure accurate zeroing and adjustability in the field. RZ turrets and TRZ target turrets are easily resettable to zero.

MEOQUICK™ Eyepiece

A proprietary, fast-focus eyepiece which rapidly brings your target into sharp focus and provides extra diopter travel to accommodate a wider range of visual acuity variations.

Model MeoPro	3-9x40		4,5-14x44		4,5-14x50		6,5-20x50	
	min	max	min	max	min	max	min	max
Magnification	3 x	9 x	4.5 x	14 x	4.5 x	14 x	6.5 x	20 x
Objective Lens (mm)	40		44		50		50	
Objective Filter Thread	M42x0,5		M46x0,5		M52x0,5		M52x0,5	
Main Tube Size (mm)	25.4		25.4		25.4		25.4	
Exit Pupil Diameter (mm)	13.0	4.4	9.4	3.2	10.7	3.6	7.4	2.5
Eye Relief (mm)	102	102	89	89	89	89	89	89
Field of View (°)	6.50	2.25	4.85	1.65	4.85	1.65	3.36	1.12
Field of View (m @ 100 m)	11.4	3.9	8.5	2.9	8.5	2.9	5.9	2.0
Focal Plane Position	2		2		2		2	
Dioptic Compensation (dpt)	-2,5 / + 1,75		-2,5 / + 1,75		-2,5 / + 1,75		-2,5 / + 1,75	
Daylight Transmission (%) - minimal	85		88		88		88	
Daylight Transmission (%) - typical	92		92		92		92	
Twilight Transmission (%)	90		90		90		90	
Twilight Factor	11.0	19.0	14.1	24.8	15.0	26.5	18.0	31.6
Impact Per Click (cm @ 100 m)	0.7		0.7		0.7		0.7	
Windage and Elevation Adjustment Range (MOA)	64		41		65 ver, 43 hor		43 ver, 28 hor	
Windage and Elevation Adjustment Range (cm @ 100m)	186		80		189 ver, 125 hor		125 ver, 82 hor	
Parallax Correction	no		27m - infinity		27m - infinity		46m - infinity	
Length (mm)	330		353		356		396	
Weight (g)	450		510		540		590	





1012697 rev.A

EUROPEAN
OPTICS
since
1933

Meopta-optika, s.r.o. / Kabelikova 1 / 750 02 Přerov / Česká republika
Tel: +420 581 241 111 / Fax: +420 581 242 222 / E-mail: meopta@meopta.com

meopta

www.meopta.com