

MarchTM

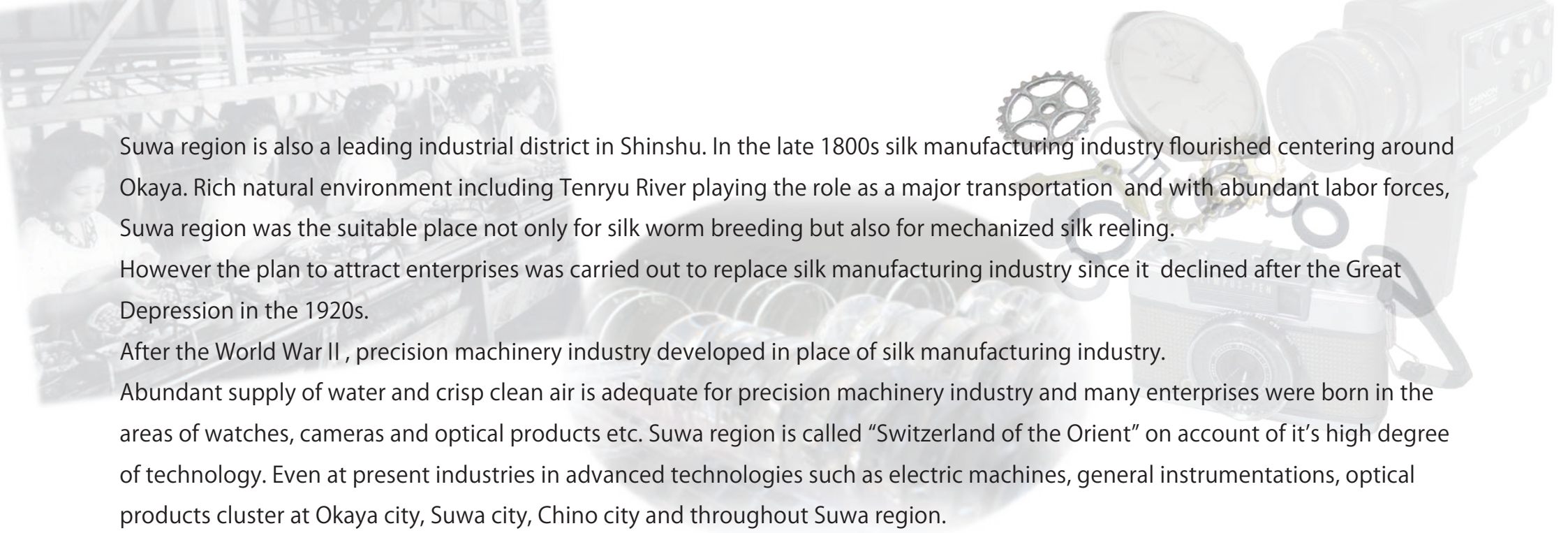
Proudly Made in Japan by DEON

March Scopes

Suwa Basin - where DEON Optical Design Corporation is located

Suwa Lake which is in the center of Suwa Basin is the largest lake in Nagano prefecture with the altitude of 759m. This Lake is in the heart of Suwa region with rich variation of natural environment embracing Mt. Yatsugatake, Tateshinakogen Highlands, Kirigaminekogen Highlands. The distance from Tokyo metropolitan area or Chukyo area including Nagoya is about 200km. Suwa region is a famous tourist resort. In addition to the beauty of nature, there are hot springs by the Suwa Lake and in Tateshina. Suwa region has prospered as a temple town and post town centering around Suwa Taisha Shrine with 3000 subsidiary shrines nationwide. Recently there are various art museums and museums attracting a large number of tourists.





Suwa region is also a leading industrial district in Shinshu. In the late 1800s silk manufacturing industry flourished centering around Okaya. Rich natural environment including Tenryu River playing the role as a major transportation and with abundant labor forces, Suwa region was the suitable place not only for silk worm breeding but also for mechanized silk reeling. However the plan to attract enterprises was carried out to replace silk manufacturing industry since it declined after the Great Depression in the 1920s.

After the World War II, precision machinery industry developed in place of silk manufacturing industry. Abundant supply of water and crisp clean air is adequate for precision machinery industry and many enterprises were born in the areas of watches, cameras and optical products etc. Suwa region is called "Switzerland of the Orient" on account of its high degree of technology. Even at present industries in advanced technologies such as electric machines, general instrumentations, optical products cluster at Okaya city, Suwa city, Chino city and throughout Suwa region.



Greeting from the president Shimizu Fumio
I have been developing optical products for a long time.
In 2004, DEON Optical Corporation- Manufacturer of March Scopes was established by myself and other excellent comrades who are specialists in their fields respectively. DEON engages in manufacturing pledging to each other to create the world's best scope by utilizing our experiences and techniques.
We will continue to pursue this challenge relentlessly to manufacture scopes that have never existed in the world and to achieve performance and quality which no one has reached.
We will greatly appreciate your further guidance and encouragement.



Deon Optical Design is a small custom scope manufacturing company, and to maintain its high standards of quality and attention to detail, it plans to stay this way for years to come. All components are made in Japan and are assembled by highly skilled engineers. Deon's optical design and mechanical reliability cannot be imitated. March Rifle Scopes are opening the way to a new world of shooting.

Assembled by Japanese Craftsmen

Whether hunting or in competition, recoil dominates our shooting sport. The repeated shock of recoil, sometimes up to 1000 times the force of gravity, will break poorly assembled equipment. March Rifle Scopes are built to cope with repeated recoil. The March Rifle Scope you buy has been hand assembled by one of our skilled craftsman and inspected 20 times before it leaves our factory. This attention to detail means March Rifle Scopes will provide superior performance in the severest of weather conditions.



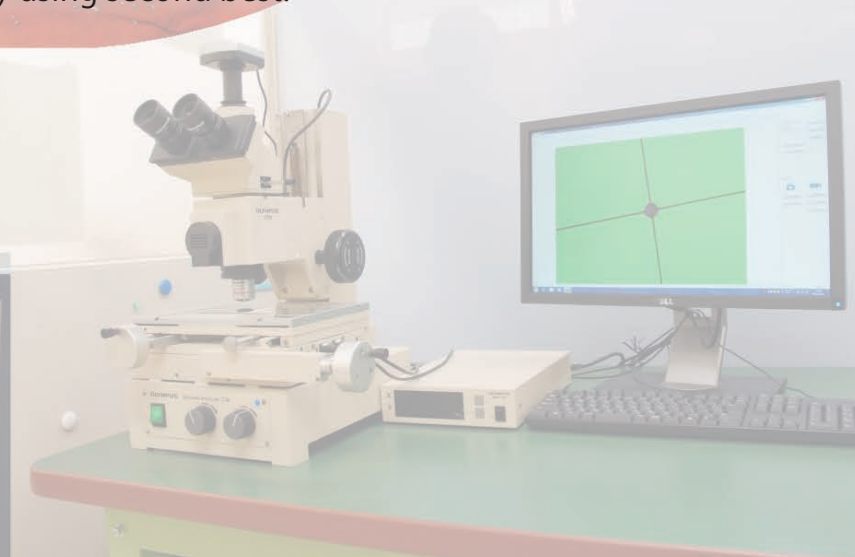
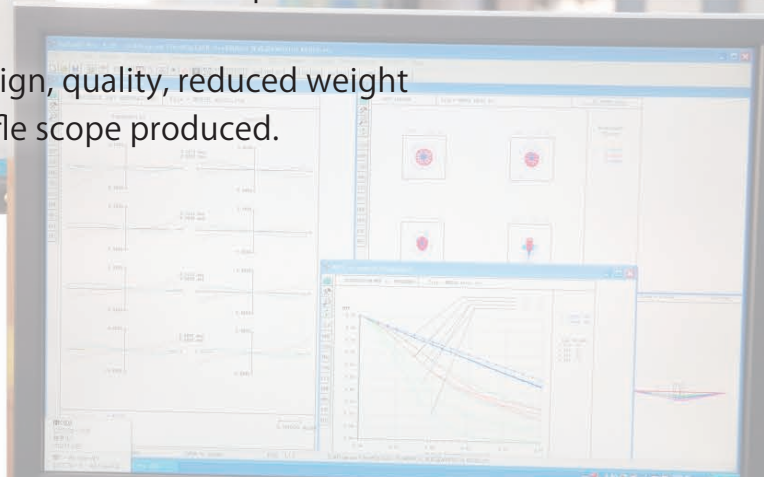
Deon Optical Design are the proud creators and designers of March Rifle Scopes. We believe shooters deserve the best possible optics to succeed in all aspects of competition and hunting situations, we have produced a March rifle scope for every situation. March Rifle Scopes are built to the highest optical standards possible and with our focus and attention to detail makes us the leaders in rifle scope design and production heading into the 21st century.

Proudly Made in Japan

More than 150 parts are used in the construction of a March Rifle Scope. We only use Japanese made parts in our rifle scopes, to meet our need for the highest quality and finest tolerances. Optical quality and performance demands precision engineering skills that cannot be compromised by using second best.

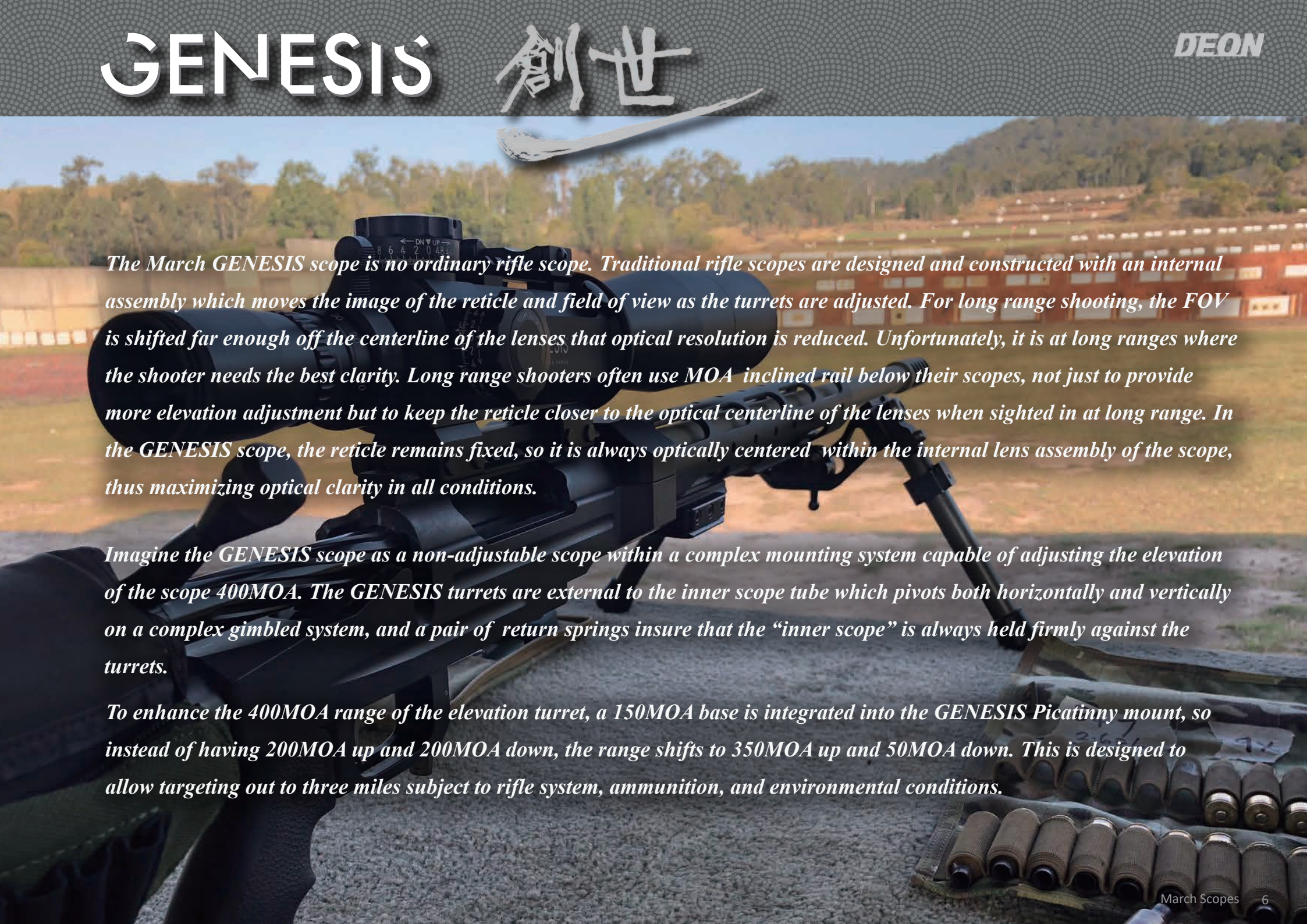
Designed by expert engineers

Our engineers have more than three decades of experience in optical design and manufacture. This experience is clear in the design, quality, reduced weight and attention to detail in every rifle scope produced.



March™
GENESIS
EXTREME LONG RANGE





The March GENESIS scope is no ordinary rifle scope. Traditional rifle scopes are designed and constructed with an internal assembly which moves the image of the reticle and field of view as the turrets are adjusted. For long range shooting, the FOV is shifted far enough off the centerline of the lenses that optical resolution is reduced. Unfortunately, it is at long ranges where the shooter needs the best clarity. Long range shooters often use MOA inclined rail below their scopes, not just to provide more elevation adjustment but to keep the reticle closer to the optical centerline of the lenses when sighted in at long range. In the GENESIS scope, the reticle remains fixed, so it is always optically centered within the internal lens assembly of the scope, thus maximizing optical clarity in all conditions.

Imagine the GENESIS scope as a non-adjustable scope within a complex mounting system capable of adjusting the elevation of the scope 400MOA. The GENESIS turrets are external to the inner scope tube which pivots both horizontally and vertically on a complex gimbled system, and a pair of return springs insure that the “inner scope” is always held firmly against the turrets.

To enhance the 400MOA range of the elevation turret, a 150MOA base is integrated into the GENESIS Picatinny mount, so instead of having 200MOA up and 200MOA down, the range shifts to 350MOA up and 50MOA down. This is designed to allow targeting out to three miles subject to rifle system, ammunition, and environmental conditions.

March GENESIS 6x-60x56mm

- D60V56GFML (MIL)
- D60V56GFIML (Illuminated, MIL)
- D60V56GFMA (MOA)
- D60V56GFIMA (Illuminated, MOA)



*1) HighMaster lens system

Incredible Super ED lens formula which is closer to fluorite than traditional ED lenses for superior correction of chromatic aberration. The resulting sight picture provides unsurpassed edge to edge definition and renders colour in true-to-life hues across the entire field of view.

*2) Temperature Anti-Drift Lens System

In the latest optical systems for automotive cameras, a new lens material has been developed to accommodate changes in environmental temperature by altering the refractive index of the lenses. This new lens material has been adopted for the new HighMaster optics to create a more stable lens system that naturally adapts to changes in temperature to maintain focus and clarity over a wide range of conditions.

Adjustment for MOA



Elevation dial

1 Click: 1/4MOA 1 Turn: 50MOA
UP: 350MOA Down: 50MOA
Total adj. range: 400MOA



windage dial

1 Click: 1/4MOA 1 Turn: 50MOA
Right: 75MOA Left: 75MOA
Total adj. range: 150MOA

Adjustment for MIL



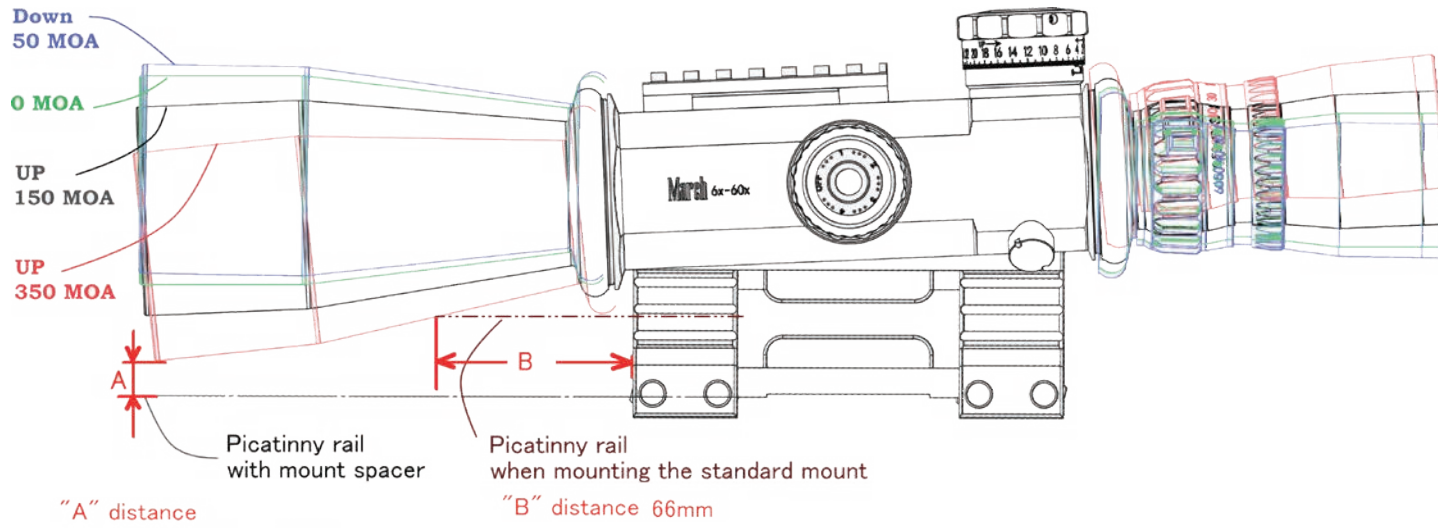
Elevation dial

1 Click: 0.05MIL 1 Turn: 10MIL
UP: 100MIL Down: 14MIL
Total adj. range: 114MIL

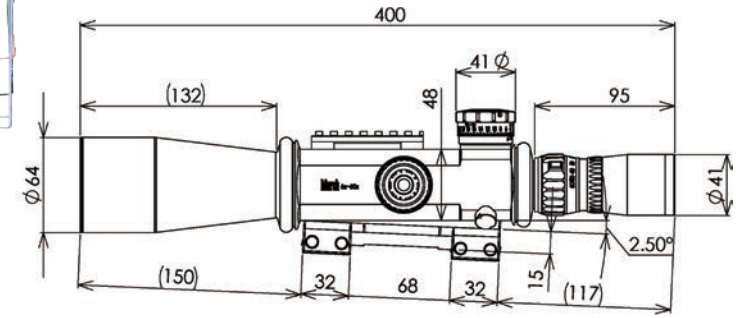


windage dial

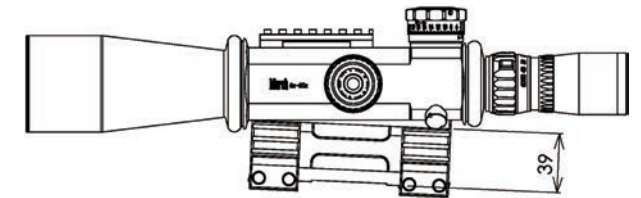
1 Click: 0.05MIL 1 Turn: 10MIL
Right: 20MIL Left: 20MIL
Total adj. range: 40MIL



External dimensions when mounting with standard mount (mm)

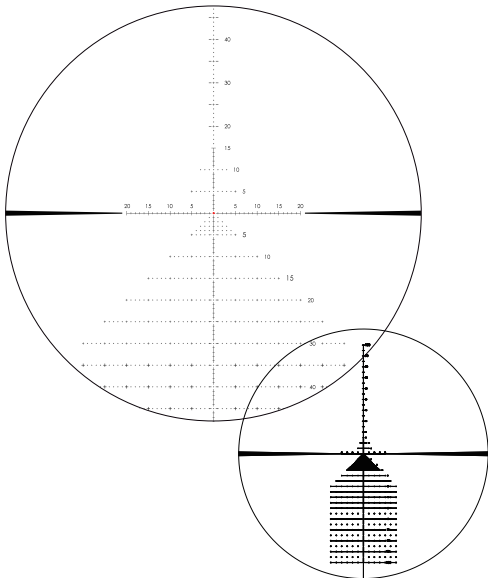


External dimensions when mounting with mount spacer (mm)

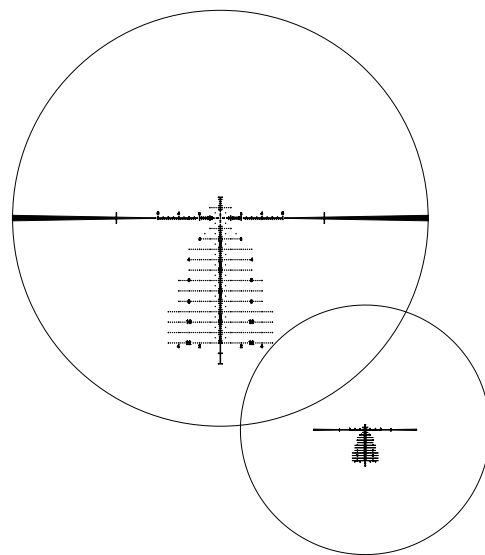


Reticles

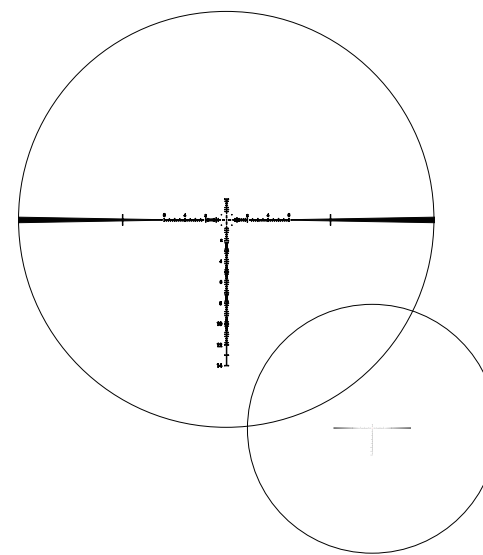
FMA-MT (MOA)



FML-TR1 (MIL)



FML-3 (MIL)



March

Wide Angle 4x-40x52mm GENESIS

Genesis series
High Master Optical System
First Focal Plane Reticle Scopes
10x Magnification Ratio

New for 2020



日本
技
March

March GENESIS Is No Ordinary Riflescope

For long and ultra-long range applications, March has moved beyond traditional riflescope designs with the new GENESIS series.

March's High Master optical system delivers superb image quality in a FFP design with a class leading 10x zoom ratio to fit any environmental conditions.

With many conventional riflescope designs, there is image quality degradation and parallax shift at the edges of the adjustment range.

However with GENESIS scope it has no impact on image quality and parallax setting. It keeps the aim point optically centred within the internal lens assembly of the scope.

There is no requirement for additional, bulky and expensive additions, the GENESIS scope provides the shooter with a complete system – straight from the box.

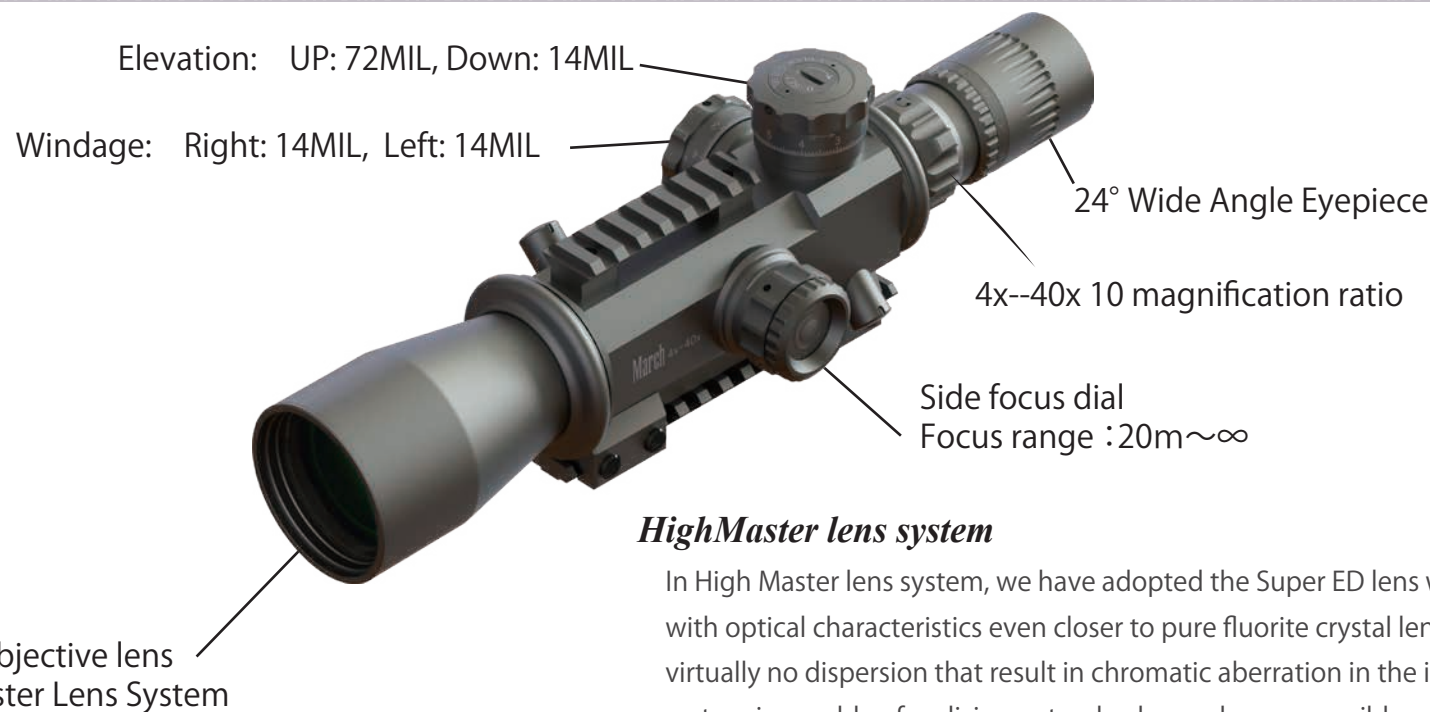
The GENESIS scope has 86mrad elevation. This is possible because the GENESIS turrets are external to the inner scope tube. The scope tube adjusts on a horizontal and vertical pivot using a gimbed system, and a pair of return springs ensure that the "inner scope" is always held firmly against the turrets. Unlike traditional rifle scopes, the GENESIS' gimble system controls the movement of the inner scope tube - removing both the spring fatigue and optical degradation other manufacturers have yet to overcome.

To further increase the GENESIS' 86mrad internal range, a 29mrad base is built into the GENESIS Picatinny mount.

This makes the March GENESIS capable of engaging targets out to 3 miles (4.8km) subject to rifle system, ammunition, and environmental conditions without compromising image quality and without utilizing any external accessories.

The March GENESIS is taking sighting systems beyond the imagination of what is possible and making it possible to push the boundaries of rifle shooting accuracy.

- Magnification Low: 4x
- High: 40x
- Effective lens diameter(mm): 52mm
- Windage/Elevation turret : 1 click 0.05mrad, 10mrad per 1turn
- Total travel amount : Elevation UP: 72mrad, Down: 14mrad
- Windage Right: 14mrad, Left: 14mrad
- Elevation turret : 0-set function
- Windage turret : tactical dial
- Side Focus : 20m - infinity
- Illuminated model
- Illumination : illumination switch
- Eyepiece : 24 degree wide angle, fast focus diopter
- Body tube : Genesis system
- Overall length : 331mm (13.0in)
- Weight : 1.28Kg (45.2oz)
- Reticle : FML-TR1, FML-3



HighMaster lens system

In High Master lens system, we have adopted the Super ED lens which is an improved ED lens element with optical characteristics even closer to pure fluorite crystal lens elements. Pure fluorite crystals have virtually no dispersion that result in chromatic aberration in the image and this is why High Master lens system is capable of realizing natural color as close as possible.

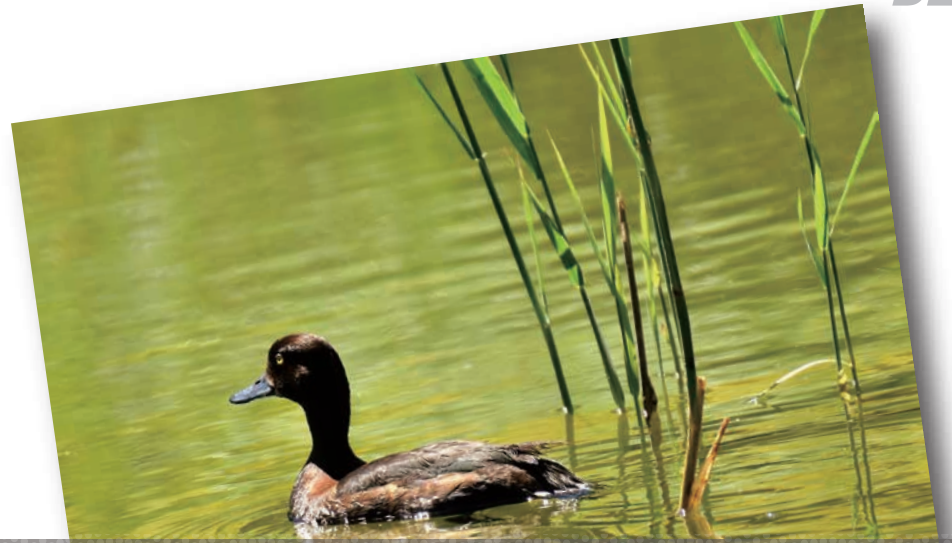
With High Master lens system incorporating Super ED lenses, we can suppress chromatic aberration even more than with ED lenses and thus produce a sharper image with greater contrast, while still having a strong scope.

Temperature Anti-Drift Lens System

In the latest optical systems for automotive cameras, a new lens material has been developed to accommodate changes in environmental temperature. This new lens material has been adopted for the new High Master Optics to accommodate changes in environmental temperature by efficiently improving the refractive index variation of the temperature change.

Our new Temperature Anti-Drift Lens System lens system will naturally adopt to changes in temperature to maintain focus and clarity over a wide range of conditions.





March-FX March-F

First Focal Plane Reticle Scopes



March-FX Wide Angle 5x-42x56 HM

High Master Optical System
First Focal Plane Competition Reticle
10 mil locking turrets
34mm Tube
8.4x Magnification Ratio

New for 2020

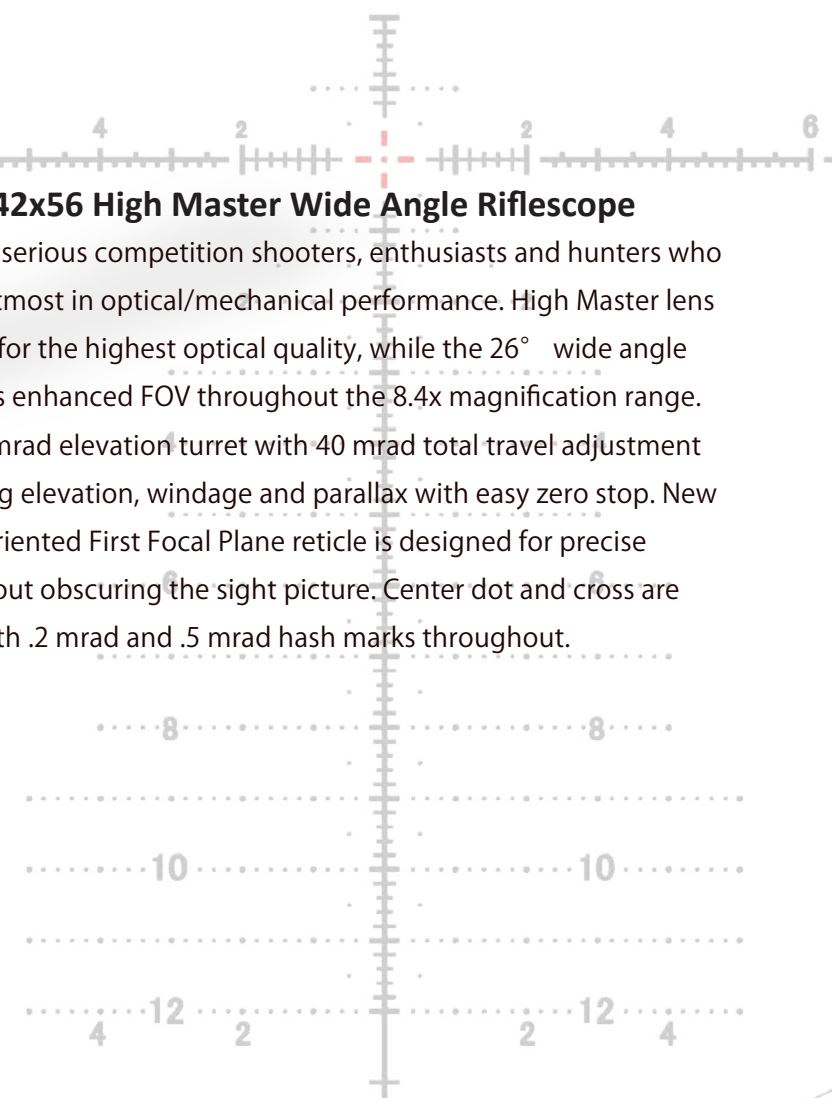


Magnification Low: 5x
High: 42x

Effective lens diameter(mm): 56mm temperature tolerant anti-drift
Windage/Elevation turret : 1 click 0.1mrad, 10mrad per 1turn
Total travel amount : Elevation: 40mrad ,Windage: 14mrad
Elevation turret : turret locking system with 0-set function
Windage turret : turret locking system
Side Focus : turret locking system
Illumination model
Illumination : 6 level illumination switch
Eyepiece : 26 degree wide angle, fast focus diopter
Body tube : 34mm diameter
Overall length : 358mm (14.1in)
Weight : 950g (33.5oz)
Reticle : FML-MT, FML-TR1, FML-3

March-FX 5x-42x56 High Master Wide Angle Rifle Scope

Developed for serious competition shooters, enthusiasts and hunters who demand the utmost in optical/mechanical performance. High Master lens system allows for the highest optical quality, while the 26° wide angle eyepiece offers enhanced FOV throughout the 8.4x magnification range. Multi-turn 10 mrad elevation turret with 40 mrad total travel adjustment for ELR. Locking elevation, windage and parallax with easy zero stop. New competition oriented First Focal Plane reticle is designed for precise holdover without obscuring the sight picture. Center dot and cross are illuminated with .2 mrad and .5 mrad hash marks throughout.



March-FX

Wide Angle D42HV56WFIML

New for 2020

Turret locking system : New function specially adopted by 5-42x56

To lock – turn the lever on top of the elevation turret to the red direction
To unlock - turn the lever on top of the elevation turret to the blue direction
This locking system will prevent the turrets from rotating accidentally



Elevation turret :
turret locking system with
0-set function

Windage turret :
turret locking system



Eyepiece : 26 degree wide angle
This 26° wide angle eyepiece offers wider apparent field of view by 30% than our standard March Scopes.

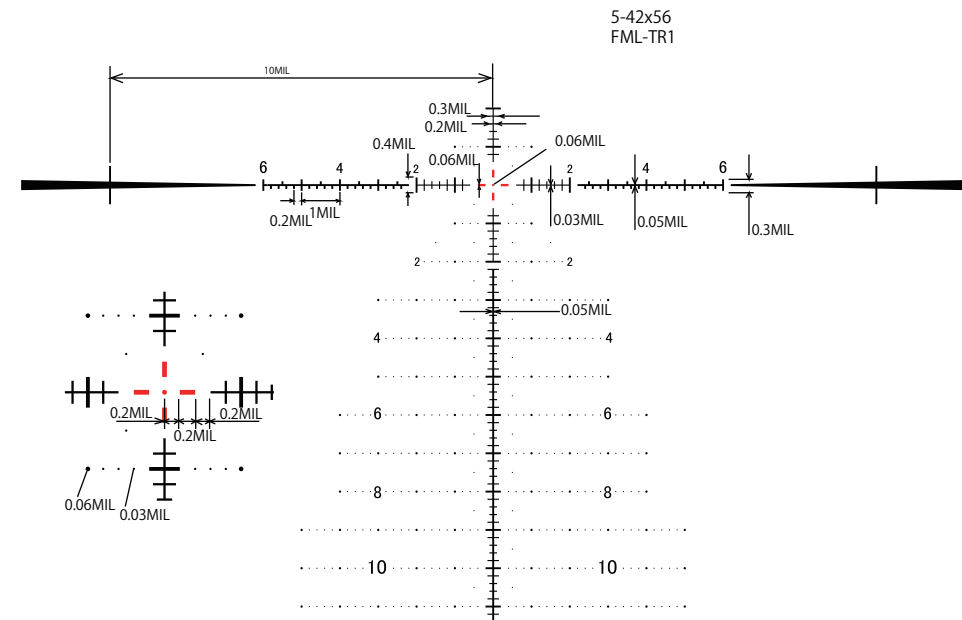
Fast focus diopter system
This will enable you to adjust from -2D to +2D in 1 revolution.
Eyepiece diopter can be rapidly adjusted.

Side focus(for focus adjustment) : turret locking system
To lock - push the side focus turret into the red direction
To unlock - pull the side focus turret to the blue direction

This locking system will prevent the focus from shifting the focus accidentally



Newly designed Six level Illumination Switch
Illumination can be easily adjusted by rotating the edge of the switch.
This produces six levels of light intensity on the reticle.
Level 6 is the brightest, whereas level 1 is as 1/100 bright as level 6.
After one hour, illumination will automatically shut off to save battery.



March-FX

First Focal Plane Reticle Scopes
56mm Objective Lens
34mm Body
8x Magnification Ratio

March-FX 5x-40x56mm

D40V56FML (Tactical Turrets, 0.05MIL Click)

D40V56FIML (Tactical Turrets, Illuminated, 0.05MIL Click)

D40V56FML10 (Tactical Turrets, 0.1MIL Click)

D40V56FIML10 (Tactical Turrets, Illuminated, 0.1MIL Click)

D40V56FMA4 (Tactical Turrets, 1/4MOA Click)

D40V56FIMA4 (Tactical Turrets, Illuminated, 1/4MOA Click)

D40V56FMA8 (Tactical Turrets, 1/8MOA Click)

D40V56FIMA8 (Tactical Turrets, Illuminated, 1/8MOA Click)

The M-Rad reticle remains constant across the zoom range and makes range and wind calculations easy regardless of the power setting.

The March-FX model comes with a Zero Set function so you will never lose zero again.

There is no compromising the optical quality and function of the March-FX - its the scope you go to when things get tough.

The March-FX is available in MIL or MOA settings.

Tactical Model

Large, easy to use elevation and windage turrets.

Side focus dial lets you see the target clearly from 10 yards to Infinity at all power settings.

Zero Set function on the elevation turret so you will never lose your zero setting.

Extra Low dispersion (ED) lenses for superior light transmission and target recognition regardless of the shooting conditions.

First Focal Plane (FFP) for consistency over the power range.

Specialized reticle for fast target acquisition at any magnification.



D40V56FIML



D40V56FML

Tactical Model with Illuminated Reticle

Improve your shot placement with an illuminated reticle. Two modules are available to meet your low light shooting needs. Both the Standard and Low illumination modules have four power settings for the shooter to choose the best option for the current condition.

A new 6 level illumination switch module is now available with selectable brightness dial. The illumination module comes with an automatic power off function to save battery life. Power modules available separately and can be easily installed at home.

The March-FX is the ideal choice for:



- Tactical shooting
- Hunting in the toughest conditions
- F-Class Competition
- Long and Extreme Range Shooting

Adjustment

0.05MIL

1 Click Adjustment: 0.05MIL (0.5cm at 100m)
5 MIL turret revolution (50cm at 100m)
Zero Set on Elevation turret

Reticle: FML-1
Model: D40V56FML, D40V56FIML



1/8MOA

1 Click Adjustment: 1/8 MOA (0.13in at 100yds)
10 MOA turret revolution (10.47in at 100yds)
Zero Set on Elevation turret

Reticle: FMA-1, FMA-2
Model: D40V56FMA8, D40V56FIMA8



0.1MIL

1 Click Adjustment: 0.1MIL (1cm at 100m)
10 MIL turret revolution (100cm at 100m)
Zero Set on Elevation turret

Reticle: FML-1
Model: D40V56FML10, D40V56FIML10



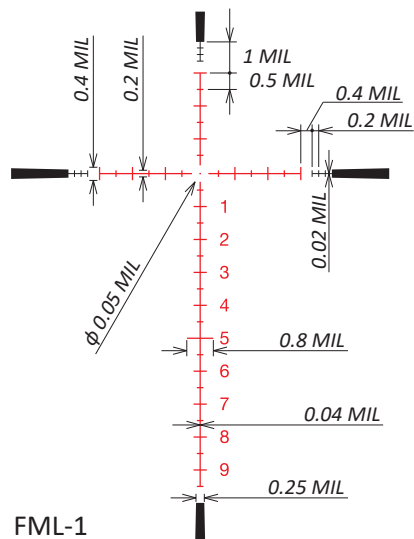
1/4MOA

1 Click Adjustment: 1/4 MOA (0.26in at 100yds)
25 MOA turret revolution (26.18in at 100yds)
Zero Set on Elevation turret

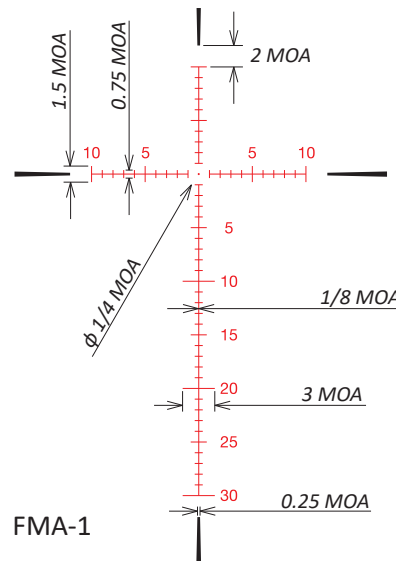
Reticle: FMA-1, FMA-2
Model: D40V56FMA4, D40V56FIMA4



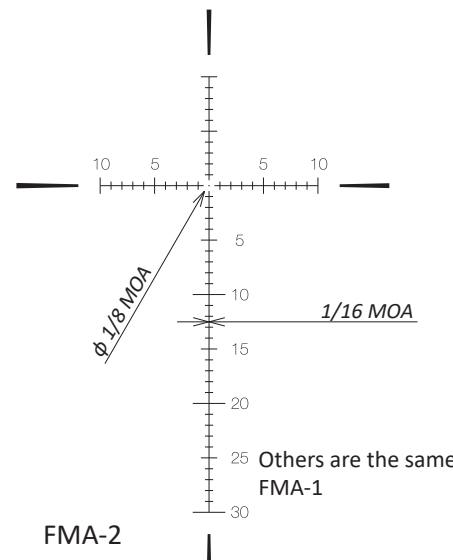
Reticles



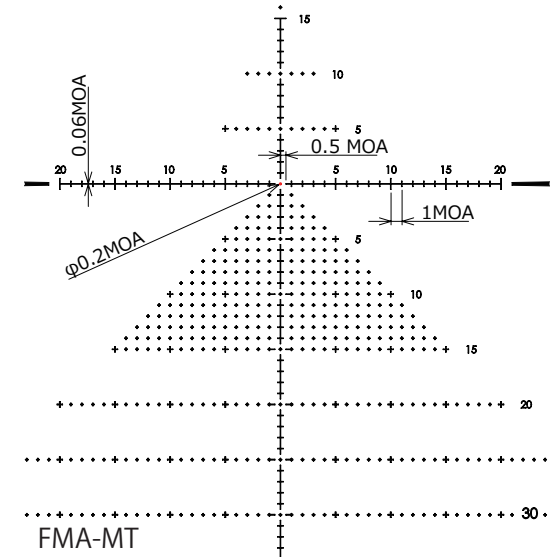
FML-1



FMA-1



FMA-2



FMA-MT

March-F

**Compact
First focal Plane Reticle Scopes
30mm Body
8x Magnification Ratio**

March-F 3x-24x42mm

D24V42FML (Tactical Turrets, MIL)
D24V42FIML (Tactical Turrets, Illuminated, MIL)
D24V42FMA (Tactical Turrets, MOA)
D24V42FIMA (Tactical Turrets, Illuminated, MOA)

March-F 3x-24x52mm

D24V52FML (Tactical Turrets, MIL)
D24V52FIML (Tactical Turrets, Illuminated, MIL)
D24V52FMA (Tactical Turrets, MOA)
D24V52FIMA (Tactical Turrets, Illuminated, MOA)

The March-F range of First Focal Plane (FFP) Rifle Scopes are the go to choice for hunters and Tactical shooters around the world. Tough, light weight and superior optical quality means you can punch above the competition regardless of whether you are on a mountain, in a forest or at a rifle range.

The March-F model comes with a Zero Set function so you will never lose zero. The March-F is available in MIL or MOA settings.

Tactical Model

Lightweight and compact with a 42mm or 52mm front lens.
Large, easy to use elevation and windage turrets.
Side focus dial lets you see the target clearly from 10 yards to Infinity at all the power settings.
Zero Set function on the elevation turret so you will never lose your zero setting.
Extra Low dispersion (ED) lenses for superior light transmission and target recognition regardless of the shooting conditions.
First Focal Plane (FFP) for consistency over the power range.
Specialised reticles for fast target acquisition at any magnification.

Tactical Model with Illuminated Reticle

Improve your shot placement with an illuminated reticle. Two modules are available to meet your low light shooting needs. Both the Standard and Low illumination modules have four power settings for the shooter to choose the best option for the current condition. A new 6 level illumination switch module is now available with selectable brightness dial. See page 37.
The illumination module comes with an automatic power off function to save battery life. Power modules available separately and can be easily installed at home.



D24V42FIML



D24V52FIML



non Illuminated Model



Illuminated model

The March-F is the ideal choice for:



- Tactical Shooting
- Three Gun Competition
- Rifle and Shotgun
- Hunting in the toughest conditions
- Air Rifle competition and hunting

Adjustment

0.1 MIL

1 Click Adjustment: 0.1MIL (1cm at 100m)
 10 MIL turret revolution (100cm at 100m)
 Zero Set on Elevation turret

Reticle: FML, FML-1, FML-T1
 Model: D24V42FML, D24V42FIML
 D24V52FML, D24V52FIML



3x-24x42mm



3x-24x52mm

1/4 MOA

1 Click Adjustment: 1/4MOA (0.26in at 100yds)
 25 MOA turret revolution (26.18in at 100yds).
 Zero Set on Elevation turret

Reticle: FMA-1, FMA-2
 Model: D24V42FMA, D24V42FIMA
 D24V52FMA, D24V52FIMA

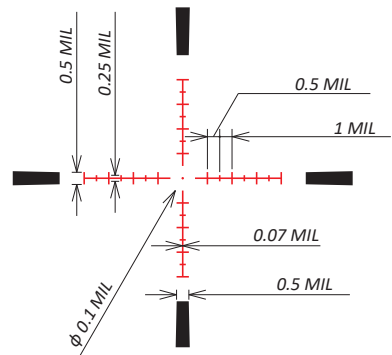


3x-24x42mm

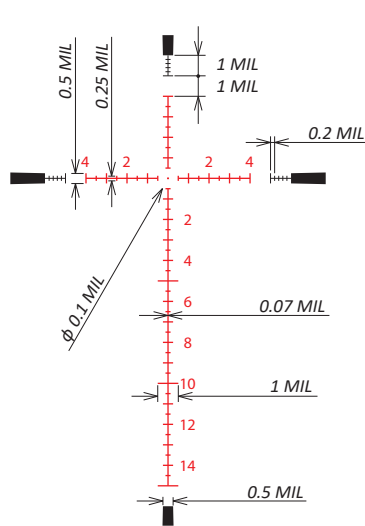


3x-24x52mm

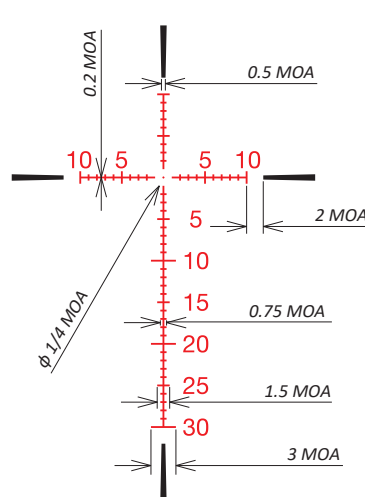
Reticles



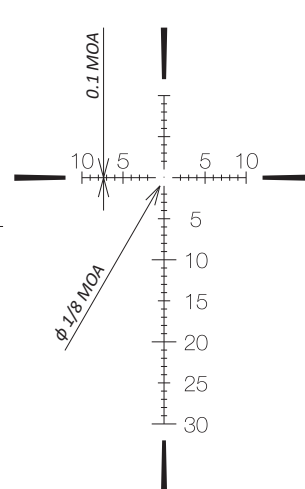
FML



FML-1

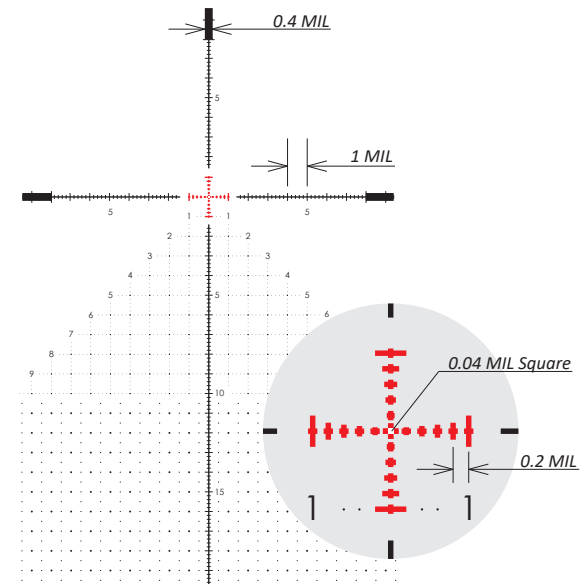


FMA-1



Others are the same FMA-1

FMA-2



FML-T1

March-F

**Compact
First Focal Plane Reticle Scopes
30mm Body
8x Magnification Ratio**

1x-8x24mm

D8V24FML (Tactical Turrets, MIL)

D8V24FIML (Tactical Turrets, Illuminated, MIL)

Tactical Model

Lightweight and compact; ideal for rifles and shotguns.

Large, easy to use elevation and windage turrets.

Side focus dial lets you see the target clearly from 10 yards to Infinity at all power settings.

Zero Set function on the elevation turret so you will never lose your zero setting.

Superior light transmission and target recognition regardless of the shooting conditions.

First Focal Plane (FFP) for consistency over the power range.

Specialized reticles for fast target acquisition at any magnification.

Tactical Model with Illuminated Reticle

Improve your shot placement with an illuminated reticle. Two modules are available to meet your low light shooting needs. Both the Standard and Low illumination modules have four power settings for the shooter to choose the best option for the current condition.

A new 6 level illumination switch module is now available with selectable brightness dial.

See page 37.

The illumination module comes with an automatic power off function to save battery life.

Power modules available separately and can be easily installed at home.

Adjustment

0.1 MIL

1 Click Adjustment: 0.1MIL (1cm at 100m)

10 MIL turret revolution (100cm at 100m)

Zero Set on Elevation turret

Reticle: FMC-1, FMC-2, FMC-3

Model: D8V24FML, D8V24FIML



D8V24FIML
Illuminated Model



non Illuminated Model

March-F is the ideal choice for:

- Tactical Shooting
- Three Gun Competition
- Rifle and Shotgun
- Hunting in the toughest conditions
- Air Rifle competition and hunting

1x-8x24mm Shorty

D8SV24FIML (Tactical Turrets, Illuminated, MIL)



The March-F 1x-8x24mm Shorty is the world's lightest and shortest scope with 8 magnification ratio. The length is only 212mm(8.4 inch) and the weight is only 485g(17.1oz) but at the same time the performance still remains the same as D8V24FIML.

Easy to use for short and middle range shooters with an illuminated reticle, tactical turrets and 100yard fixed focus. This model will eclipse all other 1x-8x power scopes.

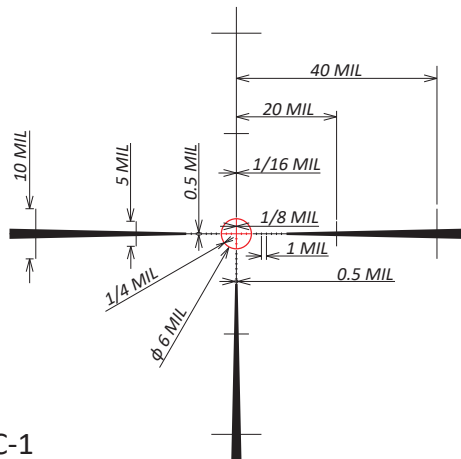
Adjustment

0.1 MIL

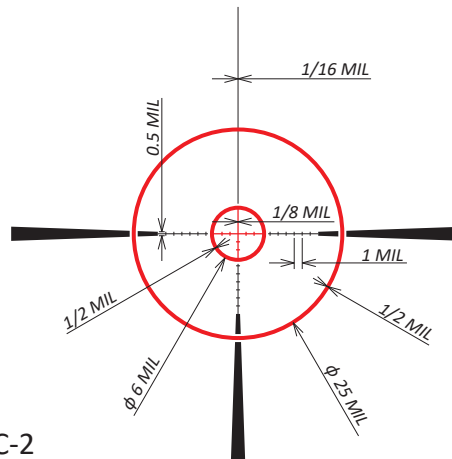
- 1 Click Adjustment: 0.1MIL (1cm at 100m)
- 10 MIL turret revolution (100cm at 100m)
- Zero Set on Elevation turret

Reticle: FMC-1, FMC-2, FMC-3
Model: D8SV24FIML

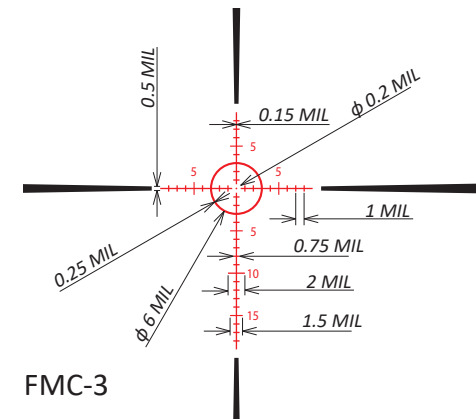
Reticles



FMC-1



FMC-2



FMC-3

First Focal Plane Reticles

FFP Reticle Image

A feature of First Focal Plane design, also known as FFP, is the reticle scale value does not change over the entire zoom range. Also the point of aim (POA) does not change over the entire zoom range.



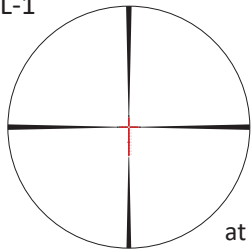
LOW

Magnification

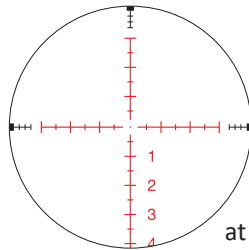
HIGH

for 5x-40x56mm

FML-1

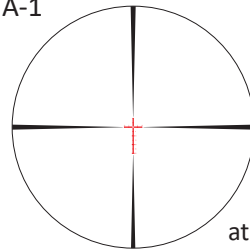


at 5x

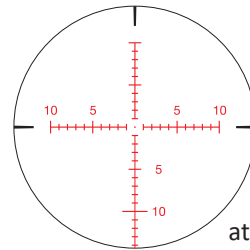


at 40x

FMA-1

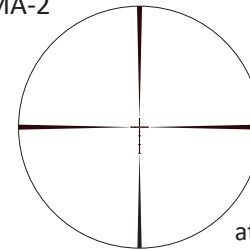


at 5x

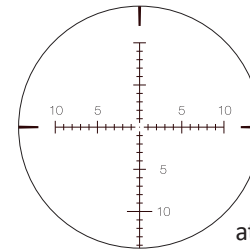


at 40x

FMA-2



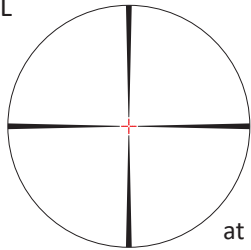
at 5x



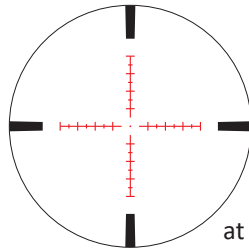
at 40x

for 3x-24x42mm & 3x-24x52mm

FML

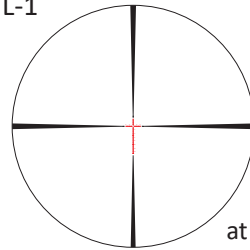


at 3x

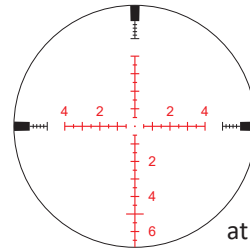


at 24x

FML-1

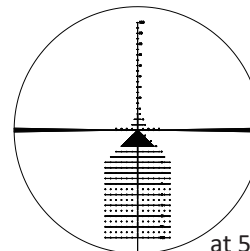


at 3x

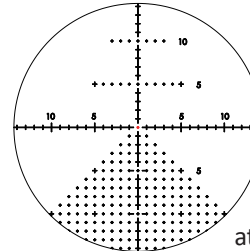


at 24x

FMA-MT

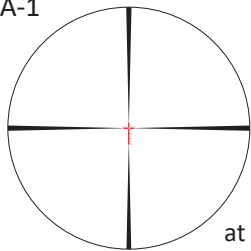


at 5x

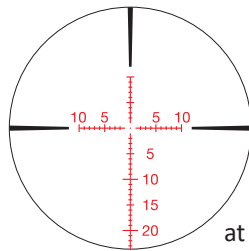


at 40x

FMA-1

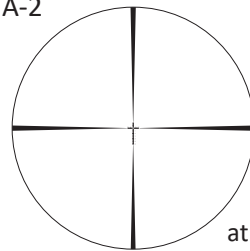


at 3x

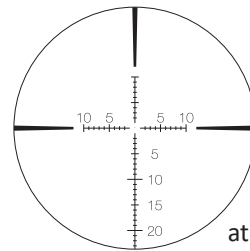


at 24x

FMA-2

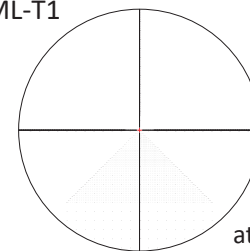


at 3x

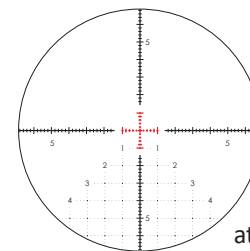


at 24x

FML-T1



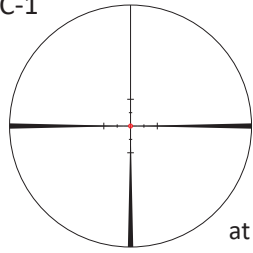
at 3x



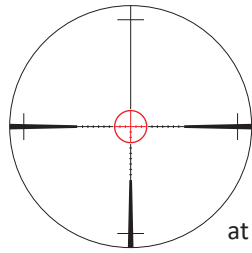
at 24x

for 1x-8x24mm

FMC-1

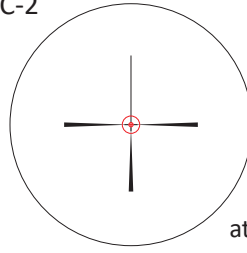


at 1x

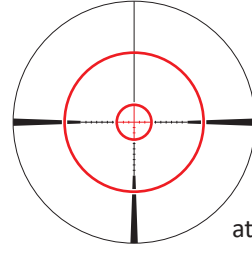


at 8x

FMC-2

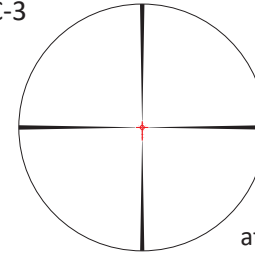


at 1x

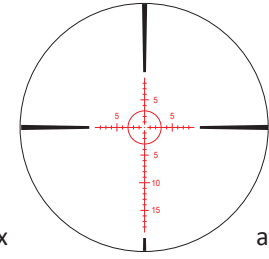


at 8x

FMC-3



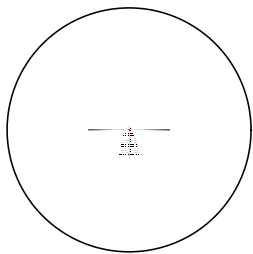
at 1x



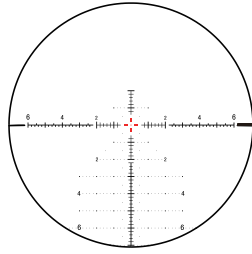
at 8x

for 5x-42x56mm

FML-TR1

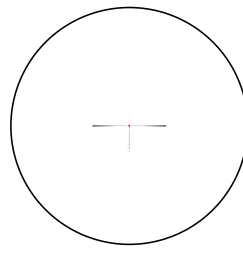


at 5x

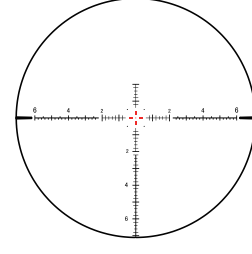


at 42x

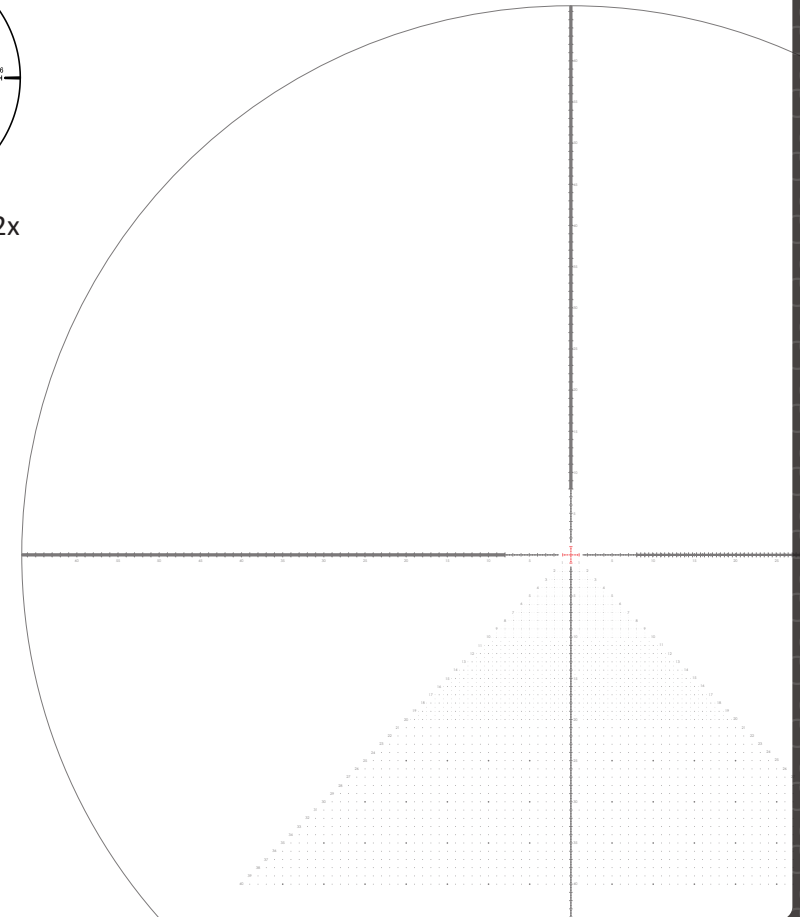
FML-3



at 5x



at 42x







March-X **March** **March**
compact Fixed power

Second Focal Plane Reticle Scopes



March-X

Second Focal Plane Reticle
56mm Objective Lens
34mm Body Tube
10x Magnification Ratio

March-X 5x-50x56mm

D50V56T (Tactical Turrets)
D50V56TM (Tactical Turrets)
D50V56TI (Tactical Turrets, Illuminated)

March-X 8x-80x56mm

D80V56T (Tactical Turrets)
D80V56TM (Tactical Turrets)
D80V56TI (Tactical Turrets, Illuminated)
D80V56ST (Tactical Turrets, Silver Model)
D80V56STM (Tactical Turrets, Silver Model)
D80V56STI (Tactical Turrets, Illuminated, Silver Model)

March has pushed the limits of technology with the March-X series, so you can push your own shooting limits. Whether it is setting new records at 1000 yards and beyond, or accurately ranging Field Targets at close ranges, these are the scopes for you. Using a 34mm diameter body and 56mm front lens, these scopes remain clear and bright even at the highest magnifications. With a choice of body colors, and the option of illuminated reticles, not to mention a range of reticle patterns to suit any discipline requiring high levels of precision and repeatable accuracy, the 5x-50x56mm or the 8x-80x56mm will expand your shooting horizons like never before.

The March-X comes with tactical turrets and a Zero Stop so you will never lose your zero again.

Tactical Model

Large, easy to use elevation and windage turrets.
Side focus dial lets you see the target clearly from 10 yards to Infinity at all power settings.
Zero Set function on the elevation turret so you will never lose your zero setting.

Tactical Model with Illuminated Reticle

Improve your shot placement with an illuminated reticle. Two modules are available to meet your low light shooting needs. Both the Standard and Low illumination modules have four power settings for the shooter to choose the best option for the current condition. A new 6 level illumination switch module is now available with selectable brightness dial. See page 37.

The illumination module comes with an automatic power off function to save battery life. Power modules available separately and can be easily installed at home.

Adjustment

1/8 MOA

1 Click Adjustment: 1/8 MOA (0.130in at 100yds)
10 MOA turret revolution (10.47in at 100yds).

Elevation Travel: 60 MOA
Windage Travel: 40 MOA
1/4 MOA adjustment turret is also available.

D50V56TI



D80V56TI



D80V56STI



non Illuminated Model



non Illuminated Model

March-X High Master

Second Focal Plane Reticle Scopes
Super ED Lenses & High-refractive Lenses
56mm Objective Lens
34mm Body

The March-X is the ideal choice for:

- F Class competition
- Medium, Long and Extreme Range Benchrest
- Centrefire and Rim Fire Silhouette Matches
- Tactical Shooting, Varmint Hunting
- Air Rifle Disciplines

DEON

March-X High Master 10x-60x56mm

D60HV56T (Tactical Turrets)
D60HV56TM (Tactical Turrets)
D60HV56TI (Tactical Turrets, Illuminated)

The March-X High Master 10x-60x56mm has a new optical design based on the March 10x-60x52mm which has a proven match winning reputation. The High Master has Super ED lens with High refractive glass which offers very high resolution and natural color right to the edge of the image.

The 56mm objective and the 34 mm tube offer high with excellent reliability, ruggedness and bright resolution.

The March-X High Master 10x-60x56mm is suitable for short-range competitions and also long-range competitions. The focus range adjustment is from 10 yards to infinity, offering reliable adjustment for any situation.



D60HV56TI
Illuminated Model

The High Master Lens System

The High Master Lens System has 2 Super ED lens elements within its new lens system. By using Super ED lens elements, we can suppress chromatic aberration even more than with ED lenses and thus produce a sharper image with greater contrast, while still having a strong scope.

Adjustment

1/8 MOA

1 Click Adjustment: 1/8 MOA (0.130 in at 100yds)
10 MOA turret revolution (10.47in at 100yds).
Elevation Travel: 60 MOA
Windage Travel: 40 MOA
Zero Set on Elevation turret

1/4MOA adjustment turret is also available.



non Illuminated model



Normal Turrets model

March

Second Focal Plane Reticle Scopes
52mm Objective Lens
30mm Body
6x Magnification Ratio

The March is the ideal choice for:

- F Class competition
- Medium, Long and Extreme Range Benchrest
- Centrefire and Rim Fire Silhouette Matches
- Tactical Shooting, Varmint Hunting
- Air Rifle Disciplines

March 10x-60x52mm

D60V52L (Normal Turrets)
D60V52LM (Normal Turrets)
D60V52T (Tactical Turrets)
D60V52TM (Tactical Turrets)
D60V52TI (Tactical Turrets, Illuminated)

The March 10x-60x52mm scopes is designed from the ground up for serious long range shooting. But also can be used in many other disciplines because the 10 yards minimum focus distance makes these scopes ideal candidates for short range competitions such as Air Rifle Field Target, 22 Rimfire Benchrest and Centerfire Benchrest.

The high quality ED lenses make target resolution a breeze, and when coupled with the optional Modifier Disk, makes shooting in high mirage conditions an easier proposition.

The Second Focal Plane (SFP) models are available in a range of reticles, including illuminated reticles, and with normal and tactical turrets.

Normal Model

Elevation and Windage turrets are protected by lightweight caps to prevent accidental change to the settings. Side turret adjusts focus from 10 yards to Infinity.

Tactical Model

Large, easy to use elevation and windage turrets. Side focus dial lets you see the target clearly from 10 yards to Infinity at all power settings. Zero Set function on the elevation turret so you will never lose your zero setting.

Tactical Model with Illuminated Reticle

Improve your shot placement with an illuminated reticle. Two modules are available to meet your low light shooting needs. Both the Standard and Low illumination modules have four power settings for the shooter to choose the best option for the current condition. A new 6 level illumination switch module is now available with selectable brightness dial. The illumination module comes with an automatic power off function to save battery life. Power modules available separately and can be easily installed at home.



D60V52T



Normal Model



Tactical Model



Illuminated Model

Adjustment

1/8 MOA

1 Click Adjustment: 1/8 MOA (0.130in at 100yds)
10 MOA turret revolution (10.47in at 100yds).
Elevation Travel: 60 MOA
Windage Travel: 40 MOA
Zero Set on Tactical Turrets

1/4 MOA adjustment turret is also available.



Normal Dial



Tactical Dial

**Compact
Second Focal Plane Reticle Scopes
30mm Body
10x Magnification Ratio**

March 2.5x-25x42mm

- D25V42 (Normal Turrets)
- D25V42M (Normal Turrets)
- D25V42T (Tactical Turrets)
- D25V42TM (Tactical Turrets)
- D25V42TI (Tactical Turrets, Illuminated)
- D25V42TML (Tactical Turrets, MIL)
- D25V42TIML (Tactical Turrets, Illuminated, MIL)

Lightweight and compact; ideal for rifles, including big game rifles, and shotguns. Normal models come with strong but lightweight covers to protect your sight settings. Tactical models come with large, easy to use elevation and windage turrets. Side focus dial lets you see the target clearly from 10 yards to Infinity at all power settings. Tactical models have a Zero Set function on the elevation turret so you will never lose your zero setting. Extra Low dispersion (ED) lenses for superior light transmission and target recognition regardless of the shooting conditions. Second Focal Plane (SFP) for a consistent sight picture over the power range. Specialized reticles for fast target acquisition at any magnification. Illuminated reticles available on selected models.

Normal Model

Elevation and Windage turrets are protected by lightweight caps to prevent accidental change to the settings.
Side turret adjusts focus from 10 yards to Infinity.

Tactical Model

Large, easy to use elevation and windage turrets.
Side focus dial lets you see the target clearly from 10 yards to Infinity at all power settings.
Zero Set function on the elevation turret so you will never lose your zero setting.

Tactical Model with Illuminated Reticle

Improve your shot placement with an illuminated reticle. Two modules are available to meet your low light shooting needs. Both the Standard and Low illumination modules have four power settings for the shooter to choose the best option for the current condition. A new 6 level illumination switch module is now available with selectable brightness dial. See page 37.
The illumination module comes with an automatic power off function to save battery life. Power modules available separately and can be easily installed at home.

D25V42TI



Normal Model



Tactical Model



Illuminated Model

Adjustment

1/4MOA

1 Click Adjustment: 1/4 MOA (0.26in at 100yds)
25 MOA turret revolution (26.18in at 100yds).
Elevation Travel: 100 MOA
Windage Travel: 100 MOA



1/4MOA Normal Turrets



1/4MOA Tactical Turrets

0.1MIL

1 Click Adjustment: 0.1MIL (1cm at 100m)
10 MIL turret revolution (100cm at 100m).
Elevation Travel: 28 MIL
Windage Travel: 28 MIL



0.1MIL Tactical Turrets

The March Compact is the ideal choice for:



- Hunting in the toughest conditions
- Air Rifle competition and hunting
- Tactical Shooting
- Three Gun Competition
- Rifle and Shotgun

March 2.5x-25x52mm

- D25V52T (Tactical Turrets)
- D25V52TML (Tactical Turrets MIL)
- D25V52TM (Tactical Turrets)
- D25V52TIML (Tactical Turrets, Illuminated, MIL)
- D25V52TI (Tactical Turrets, Illuminated)

Lightweight and compact; ideal for any weight hunting or target rifle. 52mm front lens allows for greater light transmission at dawn and dusk and in adverse conditions.

Extra Low dispersion (ED) lenses for superior light transmission and target recognition regardless of the shooting conditions.

Second Focal Plane (SFP) for a consistent sight picture over the power range. Specialized reticles for fast target acquisition at any magnification. Illuminated reticles available on selected models.

Tactical Model

Large, easy to use elevation and windage turrets. Side focus dial lets you see the target clearly from 10 yards to Infinity at all power settings. Zero Set function on the elevation turret so you will never lose your zero setting.

Tactical Model with Illuminated Reticle

Improve your shot placement with an illuminated reticle. Two modules are available to meet your low light shooting needs. Both the Standard and Low illumination modules have four power settings for the shooter to choose the best option for the current condition. A new 6 level illumination switch module is now available with selectable brightness dial. See page 37. The illumination module comes with an automatic power off function to save battery life. Power modules available separately and can be easily installed at home.



D25V52TI



Tactical Model



Illuminated Model

Adjustment

1/4MOA

1 Click Adjustment: 1/4 MOA (0.26in at 100yds)
25 MOA turret revolution (26.18in at 100yds).
Elevation Travel: 120 MOA
Windage Travel: 60 MOA



0.1MIL

1 Click Adjustment: 0.1MIL (1cm at 100m)
10 MIL turret revolution (100cm at 100m).
Elevation Travel: 34 MIL
Windage Travel: 17 MIL



**Compact
Second Focal Plane Reticle Scopes
30mm Body
4.5x Magnification Ratio**

- The March Compact is the ideal choice for:*
- Hunting in the toughest conditions
 - Air Rifle competition and hunting
 - Tactical Shooting
 - Three Gun Competition
 - Rifle and Shotgun

March 1x-4.5x24mm

Service rifle scopes

D4.5V24TM (Tactical Turrets)

The March 1x-4.5x24mm scope designed for Service Rifle competition and tactical applications. This March scope should set the standard for AR-friendly 4.5x optics. This compact variable-power scope offers ideal eye relief for AR-type rifles, along with plenty of windage and elevation travel.

The March 1x-4.5x24mm scope is a second focal plane optic with 1/4-MOA clicks. Side focus dial lets you see the target clearly from 10 yards to Infinity at all power settings.

Adjustment

1/4MOA

1 Click Adjustment: 1/4 MOA (0.26in at 100yds)

25 MOA turret revolution (26.18in at 100yds).

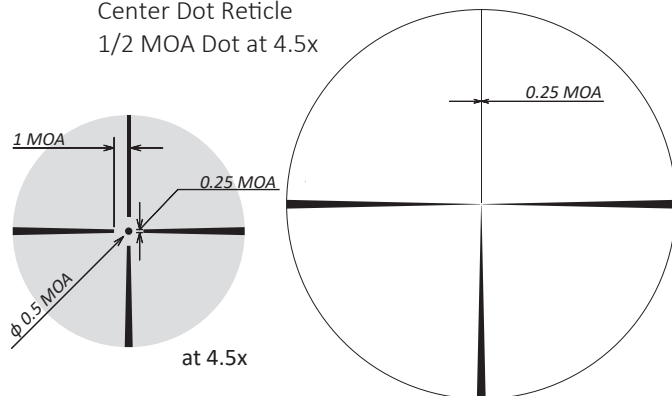
Elevation Travel: 200 MOA

Windage Travel: 200 MOA

Reticle

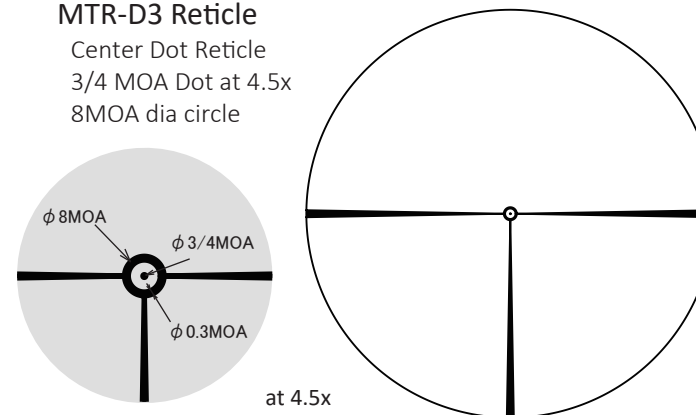
MTR-D2 Reticle

Center Dot Reticle
1/2 MOA Dot at 4.5x



MTR-D3 Reticle

Center Dot Reticle
3/4 MOA Dot at 4.5x
8MOA dia circle



Exit pupil 16mm at 1x



March compact

Compact
4x Magnification Ratio
100 yards Parallax Fixed
Flash Center Dot Reticle

The March Compact is the ideal choice for: **DEON**

- Hunting in the toughest conditions
- Air Rifle competition and hunting
- Tactical Shooting
- Three Gun Competition
- Rifle and Shotgun

March 1x-4x24mm

D4V24IML (Normal Turrets, Illuminated, MIL)

March 1x-4x24mm are suitable for short and middle range hunting with simple features. The 17.8 mm exit pupil at 1x enable the user to concentrate faster on the target. This scope is an excellent choice for short and middle range quarry, including moving targets. It is suitable for the harshest of environments.

The FD-1 reticle has a bright dot even in daytime on the center of 3-Post with four power setting illumination module.

Adjustment

0.1 MIL

1 Click Adjustment: 0.1 MIL (1cm at 100m)

10 MIL turret revolution (100cm at 100m).

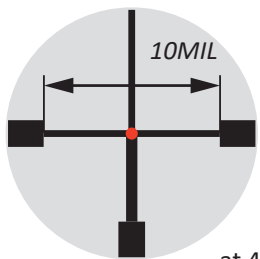
Elevation Travel: 56 MIL

Windage Travel: 56 MIL

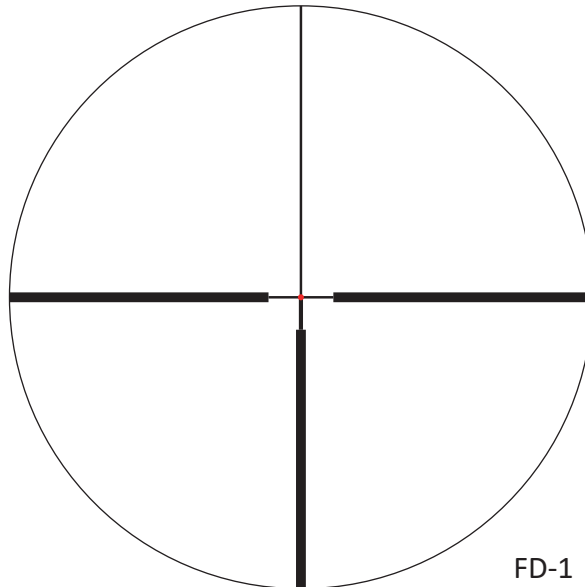
Reticle

FD-1 reticle

Center Dot Illuminated Reticle



at 4x



FD-1



Fast Lever included

March High Master 48x52mm

D48F52

March High Master 40x-60x52mm

D60EV52 (EP-ZOOM)

New optical design with Super ED lens & High-refractive lenses.

The March fixed power High Master 48x52mm scope is the ultimate fixed power scope, based on the very successful March 40x & 50x scopes, the new 48x52mm High Master offers superior image quality and clarity right to the edge of the lens, using Super ED lens and high-refractive glass.

The March EP zoom (40x-60x52mm) is based on the well regarded and match winning 36x-55x52mm EPZ scope, it has increased magnification and the same Super ED lens and high refractive glass as the 48x52mm fixed scope, with the added advantage of external zoom adjustment to absolutely guarantee zero POA shift, essential for BR and competition shooting.

Adjustment

1/8 MOA

1 Click Adjustment: 1/8 MOA (0.130in at 100yds)

10 MOA turret revolution (10.47in at 100yds)

Elevation Travel: 60 MOA

Windage Travel: 40 MOA

Reticle: Crosshair, Dot, LR



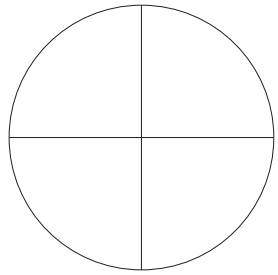
D48F52



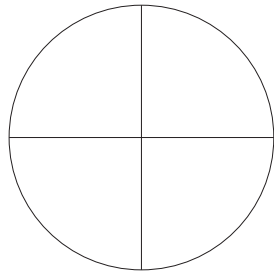
D60EV52 (EP-ZOOM)



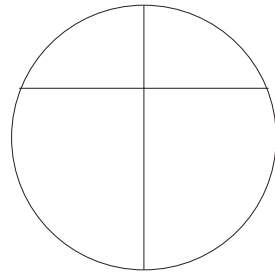
Second Focal Plane Reticles



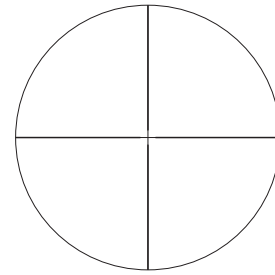
Cross Hair



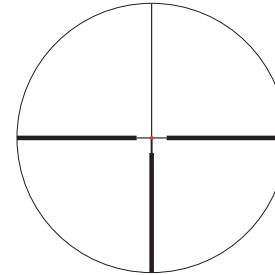
Dot



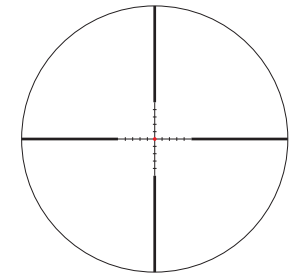
LR



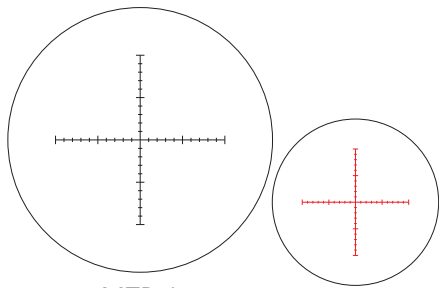
Di-plex



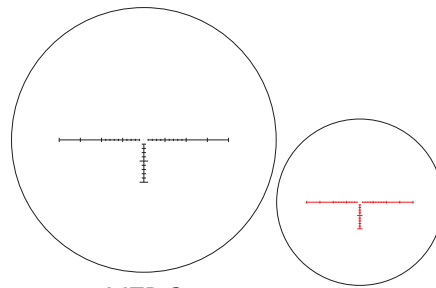
FD-1



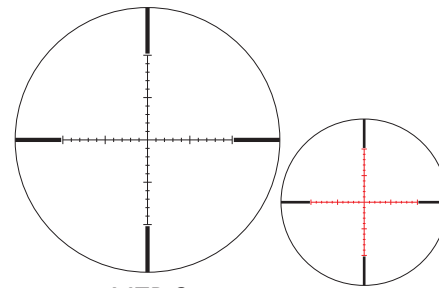
FD-2



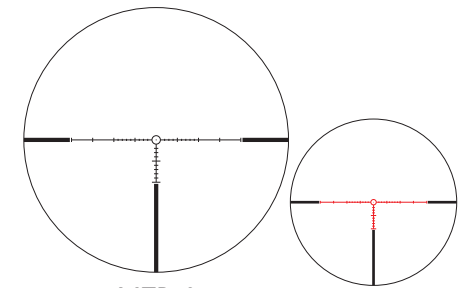
MTR-1



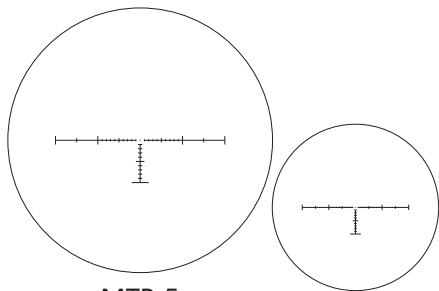
MTR-2



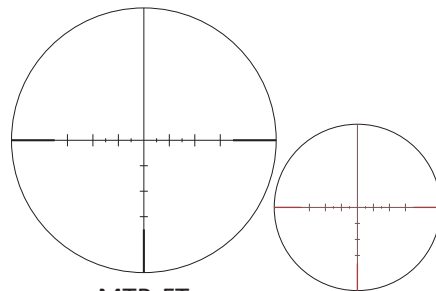
MTR-3



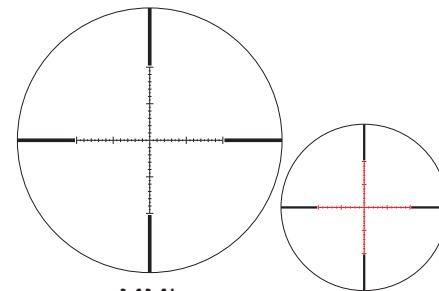
MTR-4



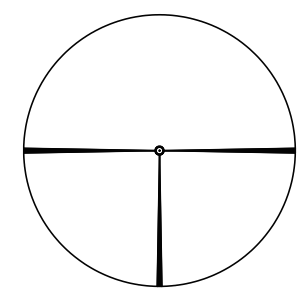
MTR-5



MTR-FT



MML



MTR-D3

SFP Reticle Image

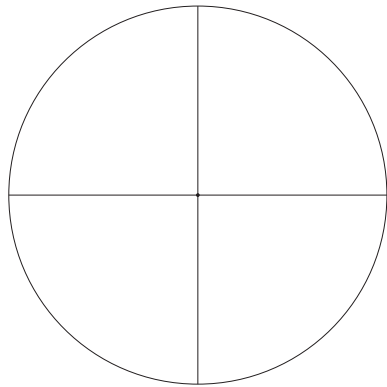


LOW

Magnification

HIGH

Reticle Size

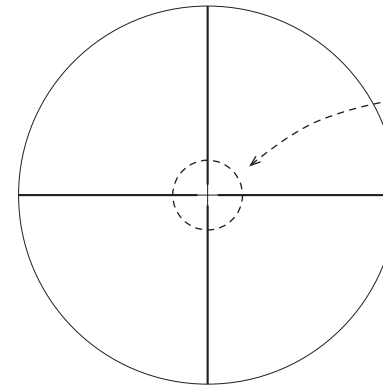


Dot

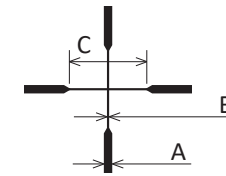
Dot Size: 1/16 MOA
3/32 MOA
1/8 MOA
1/4 MOA

Dot size depends on each model.
See right table.

Standard mag. of Dot Size	
48x52	48x
1x-10x24	10x
2.5x-25x42, 52	25x
10x-60x52, 56	40x
5x-50x56	40x
8x-80x56	40x

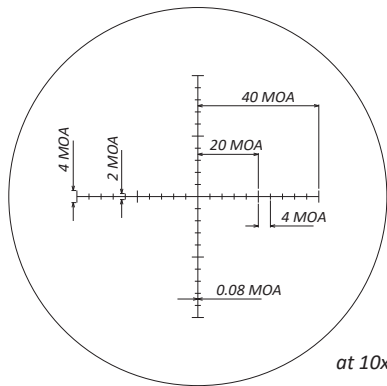


Di-plex



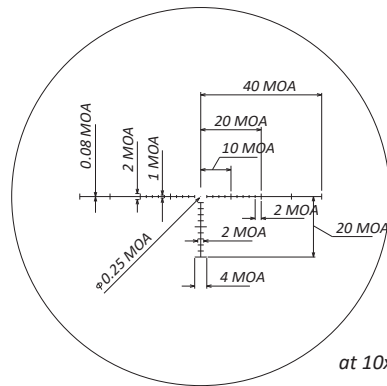
Conversion value at 100 yards

	10x	25x
A	0.80 inch	0.32 inch
B	0.21 inch	0.084 inch
C	7.48 inch	2.99 inch



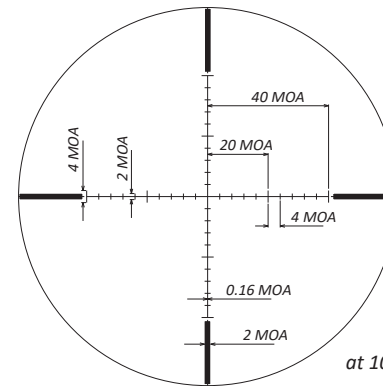
MTR-1

at 10x



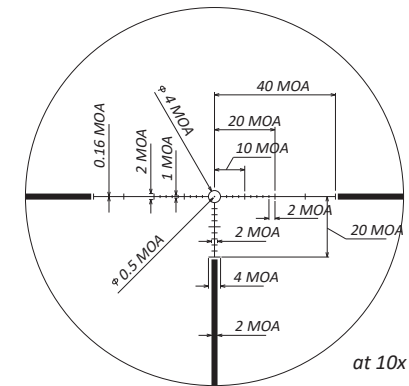
MTR-2

at 10x



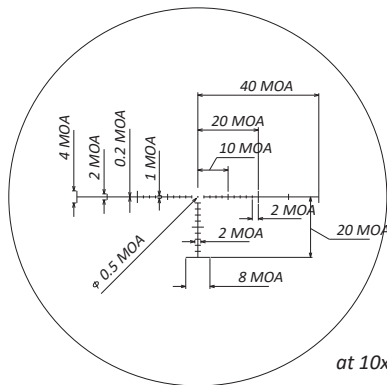
MTR-3

at 10x



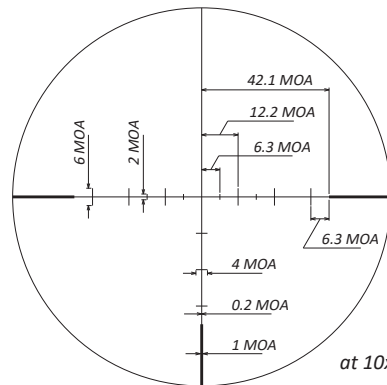
MTR-4

at 10x



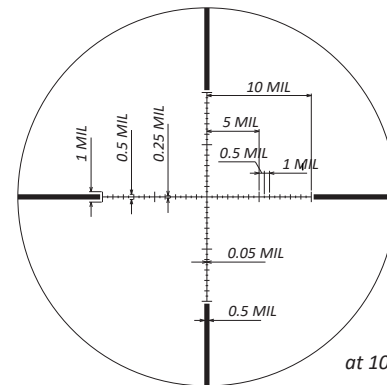
MTR-5

at 10x



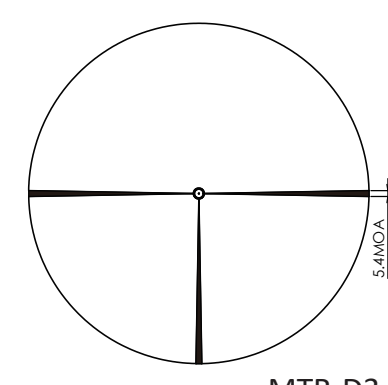
MTR-FT

at 10x

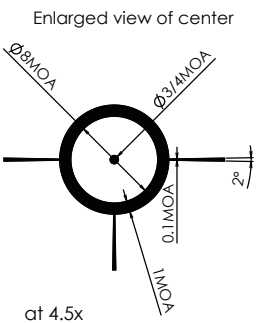


MML

at 10x

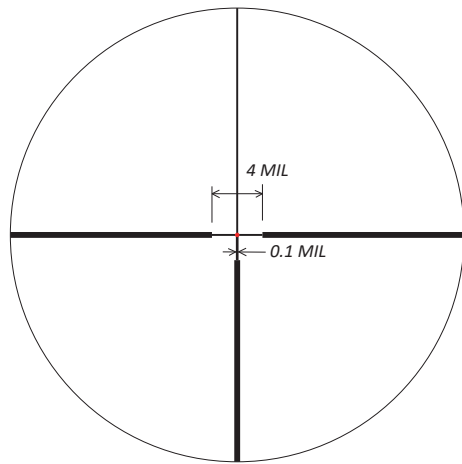


MTR-D3



at 4.5x

Flash-Dot Reticle



FD-1

at 10x

MTR-1, MTR-3

Value of 1 division (inch)

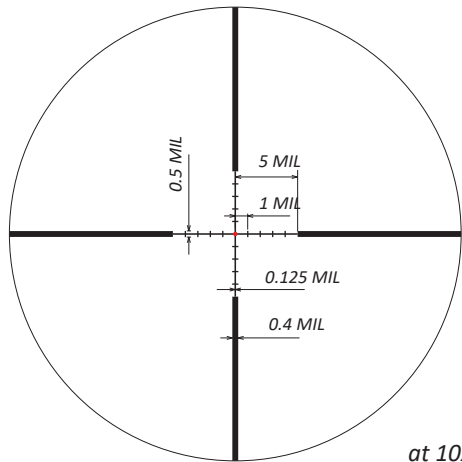
	5x	8x	10x	15x	20x	25x	40x	50x	60x	80x
1div.	8MOA	5MOA	4MOA	2.67MOA	2MOA	1.6MOA	1MOA	.8MOA	.67MOA	.50MOA
100yd	8.38	5.24	4.19	2.79	2.09	1.68	1.05	0.84	0.70	0.52
200yd	16.75	10.47	8.38	5.58	4.19	3.35	2.09	1.68	1.40	1.05
300yd	25.13	15.71	12.56	8.38	6.28	5.03	3.14	2.51	2.09	1.57
600yd	50.26	31.41	25.13	16.75	12.56	10.05	6.28	5.03	4.19	3.14
1,000yd	83.76	52.35	41.88	27.92	20.94	16.75	10.47	8.38	6.98	5.24

MTR-2, MTR-4, MTR-5

Value of 1 division (inch)

	5x	8x	10x	15x	20x	25x	40x	50x	60x	80x
1div.	4MOA	2.5MOA	2MOA	1.33MOA	1MOA	.8MOA	.5MOA	.4MOA	.33MOA	.25MOA
100yd	4.19	2.62	2.09	1.40	1.05	0.84	0.52	0.42	0.35	0.26
200yd	8.38	5.42	4.19	2.79	2.09	1.68	1.05	0.84	0.70	0.52
300yd	12.56	7.85	6.28	4.19	3.14	2.51	1.57	1.26	1.05	0.79
600yd	25.13	15.71	12.56	8.38	6.28	5.03	3.14	2.51	2.09	1.57
1,000yd	41.88	26.18	20.94	13.96	10.47	8.38	5.24	4.19	3.49	2.62

Flash-Dot Reticle



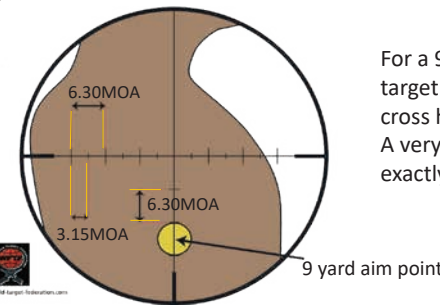
FD-2

at 10x

MTR-FT Reticle

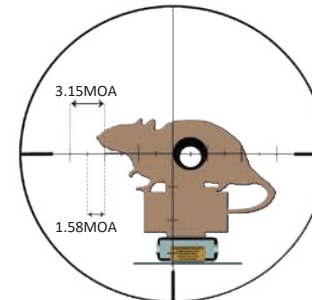
9 yards
20x magnification
15mm Killzone

25yard zero
3" scope height
780 fps



For a 9yrd target you simply bracket the 15mm target between the 2nd and 3rd hash below the cross hair.
A very useful feature is that the 15mm target fits exactly between the two

50 yards
40x magnification
40mm killzone



The spacing of each sub-division correlate to a 2mph wind at 90 degrees to the firing point at 50yds. Two sub-divisions (denoted by a longer hash) will precisely bracket a typical 40mm target. This is extremely useful for range-finding accurately to ensure your parallax is calibrated to the various climatic conditions.

Accessories



Sunshade

3"(75mm) Long Hoods
Objective lens hood reduces stray light, flare and ghost images.

- 2-DB179-0 : 42mm models
- 2-DB115-0 : 52mm models
- 2-DB256-0 : 56mm models
- DB485-0 : 24mm models



Low Illumination Switch Module

DA233-L

Depending on where you shoot, the normal illumination switch may be too bright. March offers a Low Illumination Switch that operates at one fifth the intensity of the standard module.



Six Level Illumination Switch

DA381-0

The Six Level Illumination Switch lights up the reticle pattern for precision shooting in low light or night conditions. The shooter can choose from six levels of brightness to suit the conditions at the time. Rotating the knurled dial doubles the intensity with each increasing level while the rubber switch turns illumination on or off while maintaining the user-selected intensity level. To save batteries, the Illumination Switch will shut down after one hour of no use.



MD Disk

MD Disk helps to reduce the amount of light coming into a scope by up to 50%, depending on the conditions. This light reduction increases the scopes depth of field and, perhaps more importantly for competition shooters, reduces the amount of seen mirage. Using a MD Disk at 60 or 80 power gives you a competitive advantage when the conditions turn bad and lets you see the target better than your competitor.

Weight : 0.25 oz / 7.1 g

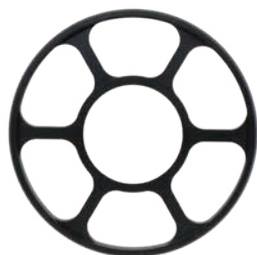
- DB062-0 : 52mm objective models
- DB269-0 : 56mm objective models



Middle Focus Wheel

To help with fine or rapid focus changes at different distances, March scopes can be upgraded using a 49mm diameter Middle Focus Wheel.

- 2-DB340-0 : Fixed power, EP Zoom and non-illuminated models of 10x-60x
- 2-DB341-0 : non-illuminated models of 1x-4.5x, 1x-10x, 2.5x-25x, 5x-50x, 8x-80x, 1x-8x, 3x-24x, 5x-40x, 10x-60x56
- 2-DB342-0 : Illuminated models



Large Wheel

Shooting at very close ranges often requires very fine adjustment of the focus dial. March has produced a Large Wheel to fit over the Middle Focus wheel to enhance the dial's ability to focus clearly. A great addition to Air Rifle Field Target and other close range rifle disciplines.

- 2-DB343-0 : 3.5" wheel
- 2-DB402-0 : 4.5" wheel



4.5" Wheel



DB392-0

DB393-0

Large Dials

March offers two blank dials for shooters to create their own Ballistic Drop Compensator (BDC). These blank BDCs replace the existing elevation knob on your March scope and let you create your own elevation adjustments to suit your load. Make any changes to your load and replace the tape on the dial quickly and easily. The blank dials can also be used for air rifle field events in conjunction with the Large Wheel for added accuracy at short ranges.

- DB392-0 : 1x-4.5x, 1x-10x, 2.5x-25x, 1x-8x, 3x-24x, 5x-40x
- DB393-0 : 10x-60x, 5x-50x, 8x-80x



Leather Caps

March offers optional Leather Caps that not only protect your valuable new scope but also provides a traditional look to a modern piece of optical art.

- LC-24 : 24mm objective models
- LC-42 : 42mm objective models
- LC-52 : 52mm objective models
- LC-56 : 56mm objective models



Flip Caps

The March Flip Caps can be locked in a fully open position. Having the caps lay flat again the scope body prevents breakage and gives the shooter a better view of the target area from over the scope.

- FC-41 : Eyepiece of all models
- FC-33 : 24mm objective models
- FC-46 : Epeiece of Wide Angle
- FC-51 : 42mm objective models
- FC-60 : 52mm objective models
- FC-64 : 56mm objective models



Eyepiece Rubber

Can be attached to the screw on the eyepiece end face. Rubber ring protects face from scope.

DB499-0 : for all models



Smartphone Adapter

DA367-0

Use the Smart Phone Adapter to take photos through your March Rifle Scope. The adapter can be adjusted to suit most current Smart Phones. Do not use while shooting.

WARNING: DO NOT SHOOT with the Smart Phone Adapter installed on your March Rifle Scope. No warranty for any damage to your Smart Phone if the Smart Phone Adapter is used while shooting.



Fast Lever

DA411-B

The Fast Lever helps move the eyepiece quickly and easily without the need to shift body or head positions. Ideal for rapid fire disciplines on targets at multiple ranges.



Windage Dial

DB209-H

This Windage Dial reverses the standard dial on the scope so that now with this turret left wind is on the left, and right wind is on the right, allowing shooters to instinctively cope with quick wind changes.

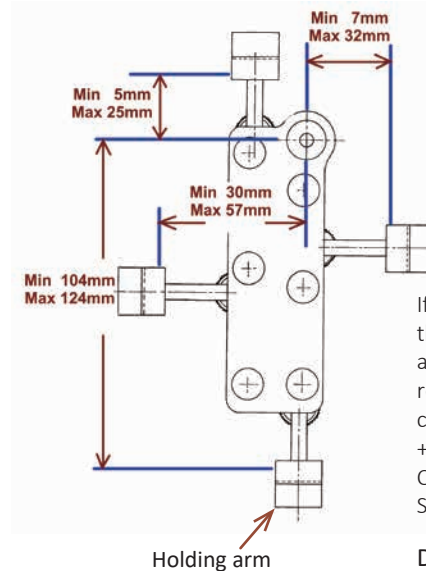
For Tactical windage dial of 5x-32x, 10x-60x, 5x-50x, and 8x-80x.



Honeycomb Hood

Anti reflective device (ARD)

- DB391-B : 42mm objective models
- DB391-C : 52mm objective models
- DB391-D : 56mm objective models



If your Smartphone does not fit with the default setting due to lack of arm length, you can adjust by replacement of Holding arm. You can get +15mm by Holding arm B or +30mm by Holding arm C. Choose the one good for your Smartphone and replace.

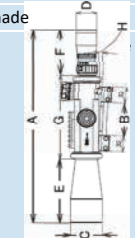
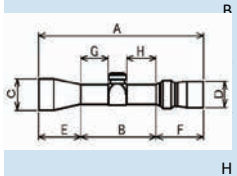
- DA414-0 Holding arm B
- DA415-0 Holding arm C

First focal plane reticle scopes

		1x-8x24 Shortv	1x-8x24	3x-24x42				3x-24x52				5x-40x56								5x-42x56	4x-40x52	6x-60x56							
		March-F	March-F	March-F				March-F				March-FX								March-FX	March Genesis	March GENESIS							
ITEM		D8SV24FIML	D8V24FML D8V24FIML	D24V42FML	D24V42FIML	D24V42FMA	D24V42FIMA	D24V52FML	D24V52FIML	D24V52FMA	D24V52FIMA	D40V56FML	D40V56FIML	D40V56FIML10	D40V56FIML10	D40V56FMA4	D40V56FMA4	D40V56FMA8	D40V56FMA8	D42HV56WFIML	D40V52GFIML	D60V56GFML	D60V56GFIML	D60V56GFMA	D60V56GFMA	ITEM			
Magnification	(Low)	1x	1x	3x				3x				5x								5x	4x	6x				(Low)			
	(High)	8x	8x	24x				24x				40x								42x	40x	60x				(High)			
Effective Lens Diameter		24mm	24mm	42mm				52mm				56mm								56mm	52mm	56mm				Effective Lens Diameter			
Body Tube Diameter		30mm	30mm	30mm				30mm				34mm								34mm	-	-				Body Tube Diameter			
Exit pupil	(Low)	6.6mm	6.1mm	--				--				--								5.2mm	3.1mm	3.5mm				(Low)			
	(High)	3mm	3mm	1.75mm				2.17mm				1.4mm								1.33mm	1.3mm	0.93mm				(High)			
Field of View (real)	(Low)	19.67°	19.67°	6.67°				6.67°				4°								5.2°	6°	4.16°				(Low)			
	at 100yds	104ft	104ft	35ft				35ft				21ft								26.19ft	31.44ft	22ft				at 100yds			
	at 100m	34.67m	34.67m	11.66m				11.66m				6.98m								8.73m	10.48m	7.26m				at 100m			
	(High)	2.46°	2.46°	0.83°				0.83°				0.5°								0.62°	0.6°	0.416°				(High)			
at 100yds	(Low)	12.9ft	12.9ft	4.3ft				4.3ft				2.6ft								3.25ft	3.14ft	2.2ft				at 100yds			
	at 100m	4.30m	4.30m	1.45m				1.45m				0.87m								1.08m	1.05m	0.73m				at 100m			
Eye Relief	(Low)	74-102mm	74-102mm	85-100mm				85-100mm				96-100mm								71-90.4mm	68-86mm	67-82mm				(Low)			
	(High)	74-97mm	74-97mm	89-96mm				89-96mm				92-98mm								74.2-90mm	71-85mm	63-82.5mm				(High)			
1 Click Adjustment		0.1MIL	0.1MIL	0.1MIL	1/4MOA	0.1MIL	1/4MOA	0.05MIL	0.1MIL	1/4MOA	1/8MOA	0.1MIL	0.05MIL	0.05MIL	1/4MOA	1 Click Adjustment													
Elevation Travel		56MIL	56MIL	28MIL	100MOA	34MIL	120MOA	22MIL				76MOA				40MIL	86MIL	114MIL	400MOA	Elevation Travel									
Windage Travel		56MIL	56MIL	28MIL	100MOA	17MIL	60MOA	11MIL				38MOA				14MIL	28MIL	40MIL	150MOA	Windage Travel									
Focus		-	Side focus	Side focus				Side focus				Side focus								Side focus	Side focus	Side focus				Focus			
Distance		100YD	10YD-∞	10YD-∞				10YD-∞				10YD-∞								10YD-∞	20m-∞	20m-∞				Distance			
Reticle		FFP	FFP	FFP				FFP				FFP								FFP	FFP	FFP							
		FMC-1 FMC-2 FMC-3	FMC-1 FMC-2 FMC-3	FML FML-1 FML-T1	FML FML-1 FML-T1	FMA-2	FMA-1	FML FML-1 FML-T1	FML FML-1 FML-T1	FMA-2	FMA-1	FML-1	FML-1	FML-1	FML-1	FMA-2 FMA-MT	FMA-1 FMA-MT	FMA-2 FMA-MT	FMA-1 FMA-MT	FML-MT FML-TR1 FML-3	FML-TR1 FML-3	FML-MT FML-TR1 FML-3	FML-MT FML-TR1 FML-3	FMA-MT	FMA-MT	Reticle			
Illuminated		○	X ○	X ○	X ○	X ○	X ○	X ○	X ○	X ○	X ○	X ○	X ○	X ○	X ○	X ○	X ○	X ○	X ○	○	○	X ○	X ○	X ○	X ○	Illuminated			
Adjustment cap		X	X	X				X				X								Lock	X	X				Adjustment cap			
Adjustment dial		Tactical	Tactical	Tactical				Tactical				Tactical								Tactical	Tactical	Tactical				Adjustment dial			
Adj. 0-set Device		○	○	○				○				○								○	○	○				Adj. 0-set Device			
MD Disk		X	X	X				△				△								△	○	○				MD Disk			
Sun Shade		X	X	○				○				○								○	○	○				Sun Shade			
Scope size	A R G H	210mm	256mm	312mm				336mm				387mm								358mm	331mm	400mm				A			
		80mm	129mm	139mm				139mm				155mm								142mm	50mm	68mm				B			
		33mm	33mm	51mm				60mm				64mm								64mm	60mm	64mm				C			
		41mm	41mm	41mm				41mm				41mm								46mm	41mm	41mm				D			
		38mm	35mm	81mm				105mm				144mm								117mm	84mm	132mm				E			
		92mm	92mm	92mm				92mm				88mm								99mm	86mm	95mm				F			
		0mm	49mm	53mm				53mm				66mm								52mm	160mm	173mm				G			
		42mm	42mm	48mm				48mm				52mm								49mm	1.67°	2.5°				H			
		Weight		485 g	530 g	560 g	610 g	640 g	610 g	640 g	665 g	695 g	665 g	695 g	860 g	890 g	860 g	890 g	860 g	890 g	860 g	890 g	950 g	1,280 g	1,450 g	1,480 g	1,450 g	1,480 g	Weight

○ : standard accessories
 △: Optional item
 X : none

All scopes are argon gas filled. (es are argon gas filled.)
 Specifications are subject to change without notice. (change without notice.)



Second focal plane reticle scopes

	48x52	40x-60x52	1x-4x24	1x-4.5x24	1x-10x24						2.5x-25x42						2.5x-25x52					10x-60x52					10x-60x56			5x-50X56			8x-80X56								
	March	March	March	March	March						March						March					March-X			March-X			March-X													
ITEM	D48F52	D60EV52	D4V24MIL	D4.5V24TM	D10V24	D10V24M	D10V24T	D10V24TM	D10V24TI	D10V24TML	D10V24TIML	D25V42	D25V42M	D25V42T	D25V42TM	D25V42TI	D25V42TML	D25V42TIML	D25V52T	D25V52TM	D25V52TI	D25V52TML	D25V52TIML	D60V52L	D60V52LM	D60V52T	D60V52TM	D60V52TI	D60HV56T	D60HV56TM	D60HV56TI	D50V56T	D50V56TM	D50V56TI	D80V56T	D80V56TM	D80V56TI	D80V56TI (STI)	D80V56TI (STI)	D80V56TI (STI)	
Magnification (Low)	48x	40x	1x	1x	1x						2.5x						2.5x					10x					10x			5x			8x								
Magnification (High)	48x	60x	4x	4.5x	10x						25x						25x					60x					60x			50x			80x								
Effective Lens Diameter	52mm	52mm	24mm	24mm	24mm						42mm						52mm					52mm					56mm			56mm			56mm								
Body Tube Diameter	30mm	30mm	30mm	30mm	30mm						30mm						30mm					30mm					34mm			34mm			34mm								
Exit pupil (Low)	-	1.24mm	17.8mm	16mm	-						-						-					-					-			-			-								
Exit pupil (High)	1.08mm	0.89mm	6mm	5.33mm	2.4mm						1.68mm						2.08mm					0.86mm					0.94mm			1.12mm			0.7mm								
Field of View (Low)	0.52°	0.49°	19.0°	19.0°	20.0°						8.0°						8.0°					2.0°					1.9°			4.0°			2.5°								
Field of View at 100yds	2.7 ft	2.6 ft	100.4 ft	100.4 ft	105.8ft						42.0ft						42.0ft					10.5ft					10.2ft			21.0ft			13.20ft								
Field of View at 100m (real)	0.90 m	0.85 m	33.47 m	33.47 m	35.27m						13.99m						13.99m					3.49m					3.40m			6.98m			4.36m								
Field of View (High)	0.44°	0.47°	4.22°	4.22°	2.0°						0.8°						0.8°					0.333°					0.32°			0.4°			0.25°								
Field of View at 100yds	2.5 ft	2.49 ft	22.1 ft	22.1 ft	10.5ft						4.2ft						4.2ft					1.7ft					1.7ft			2.1ft			1.30ft								
Field of View at 100m	0.77 m	0.820 m	7.37 m	7.37 m	3.49m						1.40m						1.40m					0.58m					0.57m			0.70m			0.44m								
Eye Relief (Low)	66-81mm	71-89mm	64-94mm	73-103mm	86-98mm						85-100mm						85-100mm					88-99mm					80-107mm			96-101mm			89-95mm								
Eye Relief (High)	66-81mm	59-72mm	61-94mm	73-100mm	86-96mm						89-96mm						89-96mm					95-101mm					92-102mm			92-98mm			83-97mm								
1 Click Adjustment	1/8MOA	1/8MOA	0.1MIL	1/4MOA	1/4MOA			0.1MIL			1/4MOA			0.1MIL			1/4MOA		0.1MIL			1/8MOA			1/8MOA			1/8MOA			1/8MOA										
Elevation Travel	60MOA	60MOA	56MIL	200MOA	200MOA			56MIL			100MOA			28MIL			120MOA		34MIL			60MOA			60MOA			60MOA			60MOA										
Windage Travel	40MOA	40MOA	56MIL	200MOA	200MOA			56MIL			100MOA			28MIL			60MOA		17MIL			40MOA			40MOA			40MOA			40MOA										
Focus	Side focus	Side focus	-	Side focus	Side focus						Side focus						Side focus					Side focus					Side focus			Side focus			Side focus								
Distance	10YD-∞	10YD-∞	100YD Fix	10YD-∞	10YD-∞						10YD-∞						10YD-∞					10YD-∞					10YD-∞			10YD-∞			10YD-∞								
	SFP	SFP	SFP	SFP	SFP						SFP						SFP					SFP					SFP			SFP			SFP								
Reticle	CH 1/8dot 3/32dot 1/16dot LR	CH 1/8dot 3/32dot 1/16dot LR	FD-1	MTR-D2 MTR-5 MTR-D3	Di-plex	MTR-1 MTR-2 MTR-3 MTR-4 MTR-5	Di-plex	MTR-1 MTR-2 MTR-3 MTR-4 MTR-5	MML	FD-1	FD-2	CH 1/4dot Di-plex	MTR-1 MTR-2 MTR-3 MTR-4 MTR-5 MTR-FT	CH 1/4dot Di-plex	MTR-1 MTR-2 MTR-3 MTR-4 MTR-5 MTR-FT	MML	FD-1	FD-2	CH 1/4dot Di-plex	MTR-1 MTR-2 MTR-3 MTR-4 MTR-5 MTR-FT	MML	FD-1	FD-2	CH 1/8dot 3/32dot 1/16dot Di-plex	MTR-1 MTR-2 MTR-3 MTR-4 MTR-5 MTR-FT	CH 1/8dot 3/32dot 1/16dot Di-plex	MTR-1 MTR-2 MTR-3 MTR-4 MTR-5 MTR-FT	CH 1/8dot 3/32dot 1/16dot Di-plex	MTR-1 MTR-2 MTR-3 MTR-4 MTR-5 MTR-FT	CH 1/8dot 3/32dot 1/16dot Di-plex	MTR-1 MTR-2 MTR-3 MTR-4 MTR-5 MTR-FT	CH 1/8dot 3/32dot 1/16dot Di-plex	MTR-1 MTR-2 MTR-3 MTR-4 MTR-5 MTR-FT	CH 1/8dot 3/32dot 1/16dot Di-plex	MTR-1 MTR-2 MTR-3 MTR-4 MTR-5 MTR-FT	CH 1/8dot 3/32dot 1/16dot Di-plex	MTR-1 MTR-2 MTR-3 MTR-4 MTR-5 MTR-FT	CH 1/8dot 3/32dot 1/16dot Di-plex	MTR-1 MTR-2 MTR-3 MTR-4 MTR-5 MTR-FT	CH 1/8dot 3/32dot 1/16dot Di-plex	MTR-1 MTR-2 MTR-3 MTR-4 MTR-5 MTR-FT
Illuminated	X	X	○	X	X			○			X	○	X	○	X	○	X	○	X	○	X	○	X	○	X	○	X	○	X	○	X	○	X	○	X	○	X	○	X	○	
Adjustment cap	○	○	○	X	○			X			○			X			X					○			X			X													
Adjustment dial	Normal	Normal	Normal	Tactical	Normal			Tactical			Normal			Tactical			Tactical					Normal			Tactical			Tactical			Tactical										
Adj. 0-set Device	X	X	X	○	X			○			X			○			○					X			○			○			○										
MD Disk	○	○	X	X	X						X						○					○			○			△			△										
Sun Shade	△	△	X	X	X						△						○					○			○			○			○										
Scope size	A 370mm	374-397mm	258mm	262mm	262mm						312mm						336mm					418mm					411mm			398mm			407mm								
	B 177mm	162mm	129mm	131mm	135mm						139mm						139mm					173mm					180mm			166mm			175mm								
	C 60mm	60mm	33mm	33mm	33mm						51mm						60mm					60mm					64mm			64mm			64mm								
	D 41mm	41mm	41mm	41mm	41mm						41mm						41mm					41mm					41mm			41mm			41mm								
	E 126mm	126mm	35mm	35mm	35mm						81mm						105mm					142mm					134mm			144mm			144mm								
	F 67mm	86-109mm	94mm	94mm	92mm						92mm						97mm					103mm					97mm			88mm			88mm								
	G 70mm	70mm	49mm	49mm	49mm						53mm						53mm					79mm					81mm			79mm			79mm								
	H 70mm	55mm	42mm	46mm	48mm						48mm						48mm					57mm					63mm			51mm			60mm								
Weight	645 g	690 g	520 g	530 g	520 g	530 g	560 g	530 g	560 g	610 g	620 g	650 g	620 g	650 g	665 g	665 g	695 g	665 g	695 g	700 g	710 g	720 g	730 g	760 g	925 g	930 g	960 g	830 g	840 g	870 g	845 g	855 g	885 g								

○: standard accessories

△: Optional item

X: none

All scopes are argon gas filled.

Specifications are subject to change without notice.

March Scopes Lineup

First Focal Plane Zoom Scopes

March-F 30mm Tube



March-F
1x-8x24 Shorty



March-F
1x-8x24



March-F
3x-24x42



March-F
3x-24x52

March-FX 34mm tube



March-FX
5x-40x56



March-FX
High Master
5x-42x56

March GENESIS



March-GENESIS
6x-60x56G

Second Focal Plane Zoom Scopes

March Compact 30mm tube



March
1x-4x24



March
1x-4.5x24



March
1x-10x24



March
2.5x-25x42



March
2.5x-25x52

March 30mm tube



March
10x-60x52



March-GENESIS
4x-40x52G

March-X 34mm tube



March-X
5x-50x56



March-X
8x-80x56



March-X
High Master
10x-60x56

Fixed Power Scopes

March 30mm tube



March
High Master
48x52



March
High Master
40x-60x52

Suggested Scopes for Purpose

		Competition			Hunting	
		Bench rest Competition	Long Range Shooting	General Competition	Field Target Competition	Rifles • Shot guns • Air rifles
March-F	1x-8x24Shorty					←→
March-F	1x-8x24					←→
March-F	3x-24x42			←→		←→
March-F	3x-24x52			←→		←→
March-FX	5x-40x56		←→	←→		←→
March-FX	5x-42x56		←→	←→		←→
March-FX	6x-60x56 GENESIS		←→			
March-FX	4x-40x52 GENESIS		←→			
March	48x52	←→				
March	40x-60x52	←→				
March	1x-4x24					←→
March	1x-4.5x24			←→		
March	1x-10x24			←→		←→
March	2.5x-25x42			←→		←→
March	2.5x-25x52			←→		←→
March	10x-60x52	←→				
March-X	5x-50x56		←→			←→
March-X	8x-80x56		←→			←→
March-X	10x-60x56		←→			←→

Appropriate reticles
(Please see the catalog for available reticles for each model.)

Crosshair
1/16MOA Dot
3/32MOA Dot
1/8MOA Dot
MTR-1
MTR-2
MTR-5

FML-1
FMA-1
FMA-2
FMA-MT
FML-MT
FML-3
FML-TR1
Crosshair
1/16MOA Dot
3/32MOA Dot
1/8MOA Dot
MTR-1
MTR-2
MTR-5
MTR-T1

FML-1
FMA-1
FMA-2
FML-3
Crosshair
1/16MOA Dot
3/32MOA Dot
1/8MOA Dot
MTR-1
MTR-2
MTR-3
MTR-4
MTR-5
MTR-D2
MML
MTR-D3

MTR-1
MTR-3
MTR-FT

FMC-1
FMC-2
FMC-3
FML
FML-1
FMA-1
FML-3
Di-plex
FD-1
FD-2
MTR-3
MTR-4
MTR-5
MML

FML-1
FMA-1
FML-MB
MTR-3
MTR-4

We conduct a durability test for all the scopes including big bore rifles with strong recoil. There is no difference in durability between scopes with different magnifications and prices. We hand build all the scopes using all the same genuine Japanese made parts. There is no difference in manufacturing process.

Oceania, Asia & Africa

BRT Shooters Supply

Stuart and Annie Elliott
PO Box 1124, Springwood
Queensland 4127 Australia
Tel: 07 3808 4862
Fax: 07 3808 4863
Email: annie@benchrest.com.au

<http://marchscopes.com.au>

Europe

March Scopes UK

PBS House
Charlwood Road,
Crawley West Sussex,
RH11 0PT United Kingdom
Tel: +44 1293 606901
Fax: +44 1293 551169
Email: info@marchscopes.co.uk

<https://www.marchscopes.co.uk>

North America and South America

<http://marchscopes.com/america/>

DEON

DEON Optical Design Co.,

4802-2 Miyagawa, Chino-shi,
Nagano-ken, 391-0013 Japan
e-mail: info@deon.co.jp

<https://www.marchscopes.com>