



**CARRY THE FUTURE.**



# TABLE OF CONTENTS

<b>PISTOLS</b>	<b>16</b>	<b>MILITARY PRODUCTS</b>	<b>62</b>	<b>FN 5.7x28MM AMMUNITION</b>	<b>112</b>
FN 503™	19	FN® MK 16	65		
FN 509® TACTICAL	21	FN® MK 17 MODULARITY	66	<b>ACCESSORIES</b>	<b>114</b>
FN 509®	23	FN® MK 17	69		
FN 509® MIDSIZE	25	FN® MK 13 EGLM/FN® FCU Mk3	71		
FN 509® MIDSIZE MRD	27	FN® MK 20 SSR	73	<b>PRODUCT SPECIFICATIONS</b>	<b>125</b>
FN 509® COMPACT MRD	29	FN® M249 SAW/FN® M249 PARA	75		
FNX™ SERIES	31	FN® MK 46/FN® MK 48	77		
FNX™-45 TACTICAL	33	FN® M240 SERIES	78	<b>FN CUSTOMER CONTACT</b>	<b>134</b>
FN Five-seven®	35	FN® M2HB-QCB	79		
		FN® M3M (GAU-21)	81		
<b>RIFLES</b>	<b>36</b>	FN® M3P	83		
FN SCAR® 20S	39	FN® PINTLE SYSTEMS	85		
FN SCAR® 20S 6.5 CREEDMOOR	41	FN® POD SYSTEMS	89		
FN SCAR® 16S/FN SCAR® 17S	43	FN® D-PC DIGITAL POD CONTROLLER	91		
FN 15® SERIES	45	FN® D-HUD DIGITAL HEAD-UP DISPLAY	92		
FN 15® STATE-COMPLIANT SERIES®	47	deFNder® Medium/Sea deFNder® REMOTE WEAPONS STATIONS	93		
FN PS90®	49	deFNder® Light REMOTE WEAPONS STATIONS	96		
FN BALLISTA®	51	FN® EXPERT	99		
		FN® SmartCore/FN® SAM	100		
<b>MILITARY COLLECTOR SERIES</b>	<b>52</b>	FN® FCU Mk3	101		
FN 15® M4/M16 MILITARY COLLECTOR	55				
		<b>LAW ENFORCEMENT PRODUCTS</b>	<b>102</b>		
<b>SHOTGUNS</b>	<b>56</b>	FN 15® UPPER ASSEMBLIES	104		
FN SLP™ COMPETITION	58	FN 15® PATROL SBR/CARBINE	105		
FN SLP™/FN SLP™ MK I	59	FN P90® SERIES	107		
FN P-12™	60	FN SCAR®-SC	108		
		FN SCAR® 16/FN SCAR® 17	109		
		FN40GL®	110		
		FN 303® LAUNCHER AND FN 509® TRAINING/SIMUNITION	111		





# WE ARE TESTED.

**131 years of experience making small arms. And counting.**

You'll always find FN firearms on the frontlines of the free world. From special forces to MPs, from base security to infantry, from airborne to seaborne, FN provides the large majority of battle-proven small arms carried by the U.S. military, because they know there's nothing tougher, more reliable, or more accurate.





# WE ARE ESSENTIAL.

## **Tactical firearms with a history of dependability.**

Our tactical firearms are the stuff of legend. Every innovation is born in the battlefield, built for the home front, and tested in life's most extreme environments. Our nation's protectors trust FN firearms because they know ultimate dependability, masterful ingenuity, and legendary performance are embedded in our DNA.





# WE ARE CONFIDENT.

## **A nation protected. A right preserved.**

Compact, reliable, and battlefield-ready, FN firearms are held to the highest standard because we know who depends on them. When you're carrying an FN pistol, you can be sure it has been crafted by the best, engineered to meet every demand, and built to perform whenever called upon.







# WE ARE RELENTLESS.

**Built to handle the battlefield. Available on the home front.**

FN firearms are as tough, accurate, and reliable in your hands as they are in the hands of our nation's protectors. From compact pistols to shotguns to rifles, every FN firearm takes uncertainty out of the equation, so you can depend on them every minute of every day. Preparedness is our mission. Peace of mind is our objective.





# WE ARE BRAVE.

## Protecting those who protect you.

Nobody holds their firearms to a higher standard. Nobody has the heritage, knowledge, or experience that we have earned with 131 years of protecting the battlefield and the home front. Our lineage is pure, our performance is uncompromised, our dedication to innovation and improvement is unceasing. You can be sure every pistol, shotgun, and tactical rifle has been designed with nothing but perfection in mind.





# WE ARE INNOVATORS.

**We never cease in our pursuit of greatness.**

As today's demands change - our mindset stays the same: being **the world's most battle-proven firearms.**<sup>®</sup>

Our engineers devote their lives to tactical technology and firearm innovation for those who devote their lives to our liberty. Whenever a new challenge is faced, FN will build a solution. That is our promise.





TOP & PRESS BOTH PINS TO LEFT  
AND RESET INDICATOR WING

10  
9  
8  
7

LEUPOLD

# WE ARE PROTECTORS.

## **Handguns built with a purpose: protecting our legacy.**

The vision set forth by John M. Browning continues to inspire our pistol line. From the iconic FN Five-seven<sup>®</sup>, the FN 509<sup>®</sup> Tactical, and FN 509<sup>®</sup> striker-fired, polymer-framed pistols to the compact and powerful FN 509<sup>®</sup> Compact, no other manufacturer can match our history, heritage, knowledge, and experience. Depend on the battle-tested know-how of FN for peace of mind on the home front.









## **FN 503™** Your EDC Just Got Better With the All-New FN 503™.

AS9100C/EN9100:2009 certified. For U.S. sales only. For consumer, law enforcement, and military sales.

**PISTOLS**

### **Primary Features**

Striker-fired autoloader  
Crisp, easy to shoot metal trigger  
5 to 7 lbs. trigger pull  
Slim 9mm with 8+1 rd capacity

### **Slide**

Low-profile iron sights to prevent snags  
Utilizes same dovetail as FN 509 series of pistols  
Loaded chamber indicator  
Rear cocking serrations for easy manipulation of slide

### **Barrel**

Recessed target crown  
Polished chamber and feed ramp

### **Frame**

Slim frame for easy concealment  
Advanced texture for secure and comfortable grip

### **Operating Controls**

Oversized controls for easy operation

### **Magazine**

Ships with 6RD and 8RD extended magazine

### **The FN 503™**

The FN 503, inspired by FN's legendary heritage, is the company's first entry into the slim 9mm pistol market. The FN 503, roughly the size of your hand, conceals quickly and discreetly without compromising on features or performance. The excellent trigger and soft recoil of this slim 9mm pistol make the FN 503 comfortable and controllable to shoot. Arguably the best in its class, the all-metal trigger breaks crisply and consistently with an average of 5lb. trigger pull. The snag-free sights ensure a quick draw from any holster or bag. And, the enlarged controls make operation effortless when switching between the 6-round standard magazine and 8-round extended magazine.



### **FN 503™**

**Caliber: 9mm**

**Magazine: 6/8 Rd.**

- Operation: Striker Fire
- Slide/Frame Finish: Black
- Sights: Fixed 3-Dot
- Barrel Length: 3.1"
- Length: 5.9"
- Weight: 21 oz.
- Use: Carry or duty

**LEARN MORE >>>**



## FN 509® TACTICAL Set Your Sights on the FN 509® Tactical.

AS9100C/EN9100:2009 certified. For U.S. sales only. For consumer, law enforcement, and military sales.

PISTOLS

### Primary Features

Striker-fired autoloader  
5.5 to 7.5 lb. trigger pull  
FN Low-Profile Optics-Mounting System™  
Threaded barrel  
Suppressor-height night sights

### Slide

Sight-protecting slide cap  
External extractor; loaded chamber indicator

### FN Revolutionizes the Optics-Ready Pistol

Optics technology is rapidly improving, but existing mounting systems had not yet experienced a leap in design that met the pace that the optics market was keeping. Enter the FN Low-Profile Mounting System™, a result of FN's development for the MHS trials. This system was created with the desire to tackle the challenges of existing mount options and be a viable platform for future optic developments.

The FN 509® Tactical's slide and mount are specifically designed so that nearly all major optics brands available today will seamlessly mount and allow for co-witness with iron sights. The interchangeable plates, provided with the pistol, are equipped with an O-ring that provides positive tension to the plate and optic, ensuring the lowest, most secure mount possible. Finally, the fine-threaded screws lock tightly and remove any need for the thread locker.

The system was developed so that it could adapt to future optic releases or changes, and continue to provide customers the ability to swap optics based on their preference.

### Barrel

Cold hammer-forged stainless steel  
Recessed target crown  
Polished chamber and feed ramp  
Threaded 0.5"x28 TPI barrel  
O-ring retention thread cap

### Frame

Enhanced grip texture which enables faster follow-up shots in all conditions  
Interchangeable backstraps  
MIL-STD-1913 accessory mounting rail

### Compatible Optics

Burris Fastfire™ II  
Burris Fastfire™ III  
C-MORE STS2  
Leupold DeltaPoint Pro  
Trijicon RMR®  
Vortex Razor®  
Vortex Venom®  
Vortex Viper®  
And more

### Operating Controls

Fully ambidextrous slide stop lever and magazine release

### Magazine

High-visibility, low-friction follower; polymer base with black finish  
1-17 rd. and 2-24 rd. magazines included



### FN 509® TACTICAL

**Caliber: 9mm**  
**Magazine: 10/17/24 Rd.**

- Barrel Length: 4.5"
- Sights: Fixed 3-dot night sights (standard)
- Frame color: Matte black or Flat Dark Earth
- Use: Carry or duty

[LEARN MORE >>>](#)

FULL FN 509® TACTICAL SPECS: PAGE 126 – PISTOL ACCESSORIES 116–119



## FN 509® 1 Million Rounds of Testing Is Here.

AS9100C/EN9100:2009 certified. For U.S. sales only. For consumer, law enforcement, and military sales.

PISTOLS

### Primary Features

Striker-fired semi-automatic  
Double-action operation  
Manual safety model also offered  
Fixed 3-dot luminescent sights (standard)  
Fixed 3-dot night sights available (LE ONLY)

### Slide

Easily racked, combat-style sights  
External extractor; loaded chamber indicator  
Improved front and rear cocking serrations

### Barrel

Cold hammer-forged stainless steel  
Recessed target crown  
Polished chamber and feed ramp

### Frame

Enhanced grip texture which enables  
faster follow-up shots in all conditions  
Interchangeable backstraps  
MIL-STD-1913 accessory mounting rail

### Operating Controls

Fully ambidextrous slide stop lever and  
magazine release

### Magazine

High-visibility, low-friction follower;  
polymer base with black finish



### FN 509®

**Caliber: 9mm**  
**Magazine: 10/17 Rd.**

- Barrel Length: 4.0"
- Sights: Fixed 3-dot luminescent sights (standard)
- Use: Carry or duty

[LEARN MORE >>>](#)



FULL FN 509® SPECS: PAGE 126 – PISTOL ACCESSORIES 116-119





## **FN 509® MIDSIZE** Concealed Carry at Its Highest Caliber.

AS9100C/EN9100:2009 certified. For U.S. sales only. For consumer, law enforcement, and military sales.

**PISTOLS**

### **Primary Features**

Striker-fired autoloader  
Double-action operation  
5.5 to 7.5 lb. trigger pull  
Fully ambidextrous controls  
World-class, military-grade barrels  
15-round capacity gives duty pistol performance in a smaller package

### **Slide**

Easily racked, combat-style sights  
External extractor; loaded chamber indicator  
Improved front and rear cocking serrations

### **Barrel**

Cold hammer-forged stainless steel  
Recessed target crown  
Polished chamber and feed ramp



### **Frame**

Enhanced grip texture which enables faster follow-up shots in all conditions  
Interchangeable backstraps  
MIL-STD-1913 accessory mounting rail

### **Operating Controls**

Fully ambidextrous slide stop lever and magazine release

### **Magazine**

High-visibility, low-friction follower; polymer base with black finish



### **FN 509® MIDSIZE**

**Caliber: 9mm**

**Magazine: 10/15 Rd.**

- Barrel Length: 4.0"
- Sights: Fixed 3-dot luminescent sights (standard)
- Use: Carry or duty

**LEARN MORE >>>**

FULL FN 509® MIDSIZE SPECS: PAGE 126 – PISTOL ACCESSORIES 116-119



## **FN 509® MIDSIZE MRD** Your EDC Just Got Better With the All-New FN 509® Midsize MRD.

AS9100C/EN9100:2009 certified. For U.S. sales only. For consumer, law enforcement, and military sales.

**PISTOLS**

### **Primary Features**

Full-sized performance in a concealed carry package

Striker-fired autoloader

Double-action operation

Fully ambidextrous controls

FN Low-Profile Optics Mounting System with plate adapters for direct mounting of more than 10 optics

All-black co-witness iron sights

### **Slide**

Easily racked, combat-style sights

External extractor; loaded chamber indicator

Improved front and rear cocking serrations

### **Barrel**

Cold hammer-forged stainless steel

Recessed target crown

Polished chamber and feed ramp

### **Frame**

Polymer construction with replaceable steel frame/slide rails

Enhanced grip textures which enables faster follow-up shots in all conditions

Interchangeable backstraps

MIL-STD-1913 accessory mounting rail

Improved flatter face trigger

### **Operating Controls**

Fully ambidextrous slide stop lever and magazine release

### **Magazine**

High visibility, low-friction follower; polymer base with black finish

Compatible with FN 509 17-round and 24-round magazines with appropriate magazine sleeves



### **FN 509® MIDSIZE MRD**

**Caliber: 9mm**

**Magazine: 10 or 15 Rd.**

• Barrel Length: 4.0"

• Use: Carry or duty

[LEARN MORE >>>](#)

FULL FN 509® MIDSIZE MRD SPECS: PAGE 126 – PISTOL ACCESSORIES 116-119



## **FN 509® COMPACT MRD** Full-Size Punch in a Compact Package.

AS9100C/EN9100:2009 certified. For U.S. sales only. For consumer, law enforcement, and military sales.

**PISTOLS**

### **Primary Features**

Full-sized performance in a concealed carry package

Striker-fired autoloader

Double-action operation

Fully ambidextrous controls

FN Low-Profile Optics Mounting System with plate adapters for direct mounting of more than 10 optics

All-black co-witness iron sights

### **Slide**

Easily racked, combat-style sights

External extractor; loaded chamber indicator

Improved front and rear cocking serrations

### **Barrel**

Cold hammer-forged stainless steel

Recessed target crown

Polished chamber and feed ramp

### **Frame**

Polymer construction with replaceable steel frame rails

Shortened grip for easier concealment

Enhanced grip textures which enables faster follow-up shots in all conditions

Interchangeable backstraps

MIL-STD-1913 accessory mounting rail

Improved flatter face trigger

### **Operating Controls**

Fully ambidextrous slide stop lever and magazine release

### **Magazine**

High visibility, low-friction follower; polymer base with black finish

Comes with one 12-round and one 15-round magazine or two 10-round magazines

Compatible with FN 509 17-round and 24-round magazines with appropriate magazine sleeves



### **FN 509® COMPACT MRD**

**Caliber: 9mm**

**Magazine: 10 or 12/15 Rd.**

- Barrel Length: 3.7"
- Use: Carry or duty

**LEARN MORE >>>**



## **FNX™ SERIES** Get the Latest in Pistol Performance.

AS9100C/EN9100:2009 certified. For U.S. sales only. For consumer, law enforcement, and military sales.

## **PISTOLS**

### **Primary Features**

Double-action/single-action operation

Ambidextrous controls

World-class, military-grade barrels

### **Slide**

Stainless steel construction

External extractor, loaded chamber indicator

Front and rear cocking serrations

Matte black finish (Flat Dark Earth also available on FNX™-9 only)

### **Barrel**

Cold hammer-forged stainless steel

Polished chamber and feed ramp

### **Frame**

Polymer construction with replaceable steel frame/slide rails

Interchangeable backstraps with lanyard eyelets

Accessory mounting rail

Serrated trigger guard

Matte black finish (Flat Dark Earth also available on FNX™-45 only)

### **Operating Controls**

Fully ambidextrous decocking/safety lever, slide stop lever, and magazine release

### **Magazine**

Polished body; low-friction follower; polymer base



### **FNX™ - 9**

**Caliber: 9mm**

**Magazine: 10/17 Rd.**

- Barrel Length: 4.0"
- Sights: Fixed 3-dot or fixed 3-dot night
- Use: Carry or duty



### **FNX™ - 45**

**Caliber: .45 ACP**

**Magazine: 10/15 Rd.**

- Barrel Length: 4.5"
- Sights: Fixed 3-dot or fixed 3-dot night
- Use: Carry or duty

[LEARN MORE >>>](#)





## **FNX™-45 TACTICAL** Battle-Born, Consumer-Ready.

AS9100C/EN9100:2009 certified. For U.S. sales only. For consumer, law enforcement, and military sales.

## **PISTOLS**

### **Primary Features**

Double-action/single-action operation

15 rounds of .45 ACP

Threaded barrel

MRD options

### **Slide**

Stainless steel construction

External extractor; loaded chamber indicator

Front and rear cocking serrations

Slide cut and tapped for optional electronic red-dot sight (not included)

Raised night sights for suppressor use and easy target acquisition in all conditions

### **Barrel**

Cold hammer-forged stainless steel

Polished chamber and feed ramp

Threaded 0.578x28 TPI with thread protector

### **Frame**

Polymer construction with replaceable steel frame/slide rails

Four interchangeable backstraps with lanyard eyelets

Accessory mounting rail

Serrated trigger guard

### **Operating Controls**

Fully ambidextrous decocking/safety lever, slide stop lever, and magazine release

### **Magazine**

Polished body; low-friction follower; polymer base



### **FNX™ - 45 TACTICAL**

**Caliber: .45 ACP**

**Magazine: 10/15 Rd.**

• Barrel Length: 5.3"

• Sights: Fixed 3-dot night

• Frame/Slide Color: Matte black or Flat Dark Earth

• Use: Duty

- Non-threaded FN X™ 45-Tactical
- 10 Rd. Magazines

**LEARN MORE >>>**

**FULL FN X™-45 TACTICAL SPECS: PAGE 126 – PISTOL ACCESSORIES 116-119**



## **FN Five-seven®** There's Only One Five-seven®.

AS9100C/EN9100:2009 certified. For consumer, law enforcement, and military sales.

## **PISTOLS**

### **Primary Features**

Single-action operation, delayed blowback  
Adjustable rear combat sight  
Up to 20-round capacity  
Low recoil  
High-performance projectiles

### **Slide**

Steel slide  
Polymer cover  
Front and rear cocking serrations

### **Barrel**

Cold hammer-forged  
Chrome-lined chamber and bore

### **Frame**

Polymer construction  
Checkered grip  
MIL-STD-1913 accessory mounting rail  
Serrated trigger guard  
Black or Flat Dark Earth finishes available

### **Operating Controls**

Fully ambidextrous safety lever  
Reversible magazine release

### **Magazine**

Polymer body; low-friction follower;  
polymer base



### **FN Five-seven®**

**Caliber: 5.7x28mm**  
**Magazine: 10/20 Rd.**

- Barrel Length: 4.8"
- Sights: Adjustable 3-dot
- Use: Carry or duty

### **Warning**

*Use only specially coated, factory-loaded ammunition. Use of any non-factory coated and loaded ammunition can result in excessive pressures leading to possible personal injury and damage to the pistol.*

**LEARN MORE >>>**

# WE ARE UNCOMPROMISING.

## **Battlefield-born. Manufactured to perfection.**

Our past allows us to create firearms unlike any other. The constant innovation, improvement, and testing of our firearms ensure that FN firearms will always be at the forefront of battlefield-ready, civilian-carried firearms. Whether you are choosing the next-generation FN SCAR® 20S, the FN 15® series, or the FN Ballista®, the legendary DNA of its predecessors will always remain intact. Every rifle made by FN is designed to be unerring and to deliver impeccable accuracy in any situation.







# FN SCAR® 20S From the Battlefield to the Home Front. It's Here. Enough Said.

For U.S. sales only. For consumer, law enforcement, and military sales.

### Primary Features

Extended monolithic receiver  
Short-stroke gas piston

### Receiver

Hard-anodized monolithic aluminum  
MIL-STD-1913 accessory rails at  
3, 6, 9, and 12 o'clock positions

### Barrel

Cold hammer-forged, chrome-lined,  
free-floating barrel with muzzle device

### Trigger

Two-stage match trigger  
(Geissele® "Super SCAR")

### Stock

Precision adjustable for length of pull  
and comb height  
Adjustable cheekpiece  
HOGUE® rubber grip with finger grooves

### Operating Controls

Ambidextrous safety lever and  
magazine release  
Charging handle may be mounted  
on right or left side  
Composite polymer trigger module

### Magazine

Steel magazine body  
Low-friction follower



**FN SCAR® 20S**  
**Caliber: 7.62x51mm**  
**Magazine: 10 Rd.**

- Barrel Length: 20"
- Stock Color: Flat Dark Earth
- Overall Length: 42.5" (extended);  
40.6" (collapsed)

[LEARN MORE >>>](#)





# FN SCAR® 20S 6.5 CREEDMOOR Perfectly Calibrated for Long-Range Precision Fire.

For U.S. sales only. For consumer, law enforcement, and military sales.

RIFLES

## Primary Features

Extended monolithic receiver  
Short-stroke gas piston

## Receiver

Hard-anodized monolithic aluminum  
MIL-STD-1913 accessory rails at 3, 6, 9,  
and 12 o'clock positions

## Barrel

Heavy cold hammer-forged, chrome-lined,  
free-floating barrel with muzzle device

## Trigger

Two-Stage Match trigger  
(Geissele® "Super SCAR")

## Stock

Precision adjustable for LOP and comb height  
Adjustable cheekpiece  
Hogue® rubber grip with finger grooves

## Operating Controls

Ambidextrous safety lever and  
magazine release  
Charging handle may be mounted on  
right or left side  
Enlarged trigger guard for easier access  
when wearing gloves  
Composite polymer trigger module

## Magazine

Steel magazine body  
Low-friction follower



**FN SCAR® 20S  
6.5 CREEDMOOR**  
Caliber: 6.5 Creedmoor  
Magazine: 10 Rd.

- Barrel Length: 20"
- Stock Color: Flat Dark Earth
- Overall Length: 41"-42.8"

[LEARN MORE >>>](#)

FULL FN SCAR® 20S 6.5 CREEDMOOR SPECS: PAGE 127- RIFLE ACCESSORIES 119-122



# FN SCAR® 16S / FN SCAR® 17S Ready to Dominate.

AS9100C/EN9100:2009 certified. For U.S. sales only. For consumer and law enforcement sales.

### Primary Features

Monolithic receiver  
Short-stroke gas piston

### Receiver

Hard-anodized monolithic aluminum  
MIL-STD-1913 accessory rails at 3, 6, 9,  
and 12 o'clock positions  
Adjustable folding front and folding/  
removable rear iron sights

### Barrel

Cold hammer-forged, chrome-lined,  
free-floating barrel  
Compensator

### Stock

Telescoping, side-folding polymer stock  
Adjustable cheekpiece  
A2-style pistol grip

### Operating Controls

Ambidextrous safety lever and  
magazine release  
Charging handle may be mounted  
on right or left side  
Enlarged trigger guard for easier  
access when wearing gloves  
Composite polymer trigger module

### Magazine

Steel or aluminum body  
Low-friction follower



### FN SCAR® 16S

Caliber: 5.56x45mm  
Magazine: 10/30 Rd.

- Barrel Length: 16.25"
- Stock Color: Flat Dark Earth or matte black
- Overall Length: 37.5" (extended);  
27.5" (collapsed)



### FN SCAR® 17S

Caliber: 7.62x51mm  
Magazine: 10/20 Rd.

- Barrel Length: 16.25"
- Stock Color: Flat Dark Earth or matte black
- Overall Length: 38.5" (extended);  
28.5" (collapsed)



## FN 15® SERIES Military-Born, FN-Manufactured.

For U.S. sales only. For consumer and law enforcement sales.

## RIFLES

### FN 15® DMR II

FN Rail System with M-LOK® technology with alignment mechanism that provides extreme rigidity and less deflection to maintain zero

18" cold hammer-forged, chrome-lined, free-floating barrel with pinned gas block

3.5 lb. Timney® match trigger

Hard-anodized aluminum

SureFire® ProComp 556 muzzle device



#### FN 15® DMR II

Caliber: 5.56x45mm  
Magazine: 30 Rd.

[LEARN MORE >>>](#)

- Barrel Length: 18"
- Overall Length: 38.0" (extended); 35.0" (collapsed)
- Weight: 7.03 lb. (empty)

### FN 15® TACTICAL II

FN Rail System with M-LOK® technology with alignment mechanism that provides extreme rigidity and less deflection to maintain zero

16" cold hammer-forged, chrome-lined, free-floating barrel with pinned gas block

Hard-anodized aluminum

FN three-prong flash hider



#### FN 15® TACTICAL II

Caliber: 5.56x45mm  
Magazine: 30 Rd.

[LEARN MORE >>>](#)

- Barrel Length: 16"
- Overall Length: 37.0" (extended); 33.7" (collapsed)
- Weight: 6.7 lb. (empty)

### FN 15® TACTICAL .300 BLK II

FN Rail System with M-LOK® technology with alignment mechanism that provides extreme rigidity and less deflection to maintain zero

16" cold hammer-forged, chrome-lined, free-floating barrel with pinned gas block

Hard-anodized aluminum

SureFire® ProComp 762 muzzle device



#### FN 15® TACTICAL .300 BLK II

Caliber: .300 BLK  
7.62x35mm  
Magazine: 30 Rd.

[LEARN MORE >>>](#)

- Barrel Length: 16"
- Overall Length: 37.25" (extended); 34.0" (collapsed)
- Weight: 6.91 lb. (empty)

### FN 15® TACTICAL CARBINE FDE P-LOK

P-LOK handguard with M-LOK® technology

Flat-top receiver

MIL-STD-1913 rail at the 12 o'clock position

16" cold hammer-forged, chrome-lined barrel with mid-length gas block

Hard-anodized aluminum

FN three-prong flash hider



#### FN 15® TACTICAL CARBINE FDE P-LOK

Caliber: 5.56x45mm NATO  
Magazine: Magpul PMAG® 30 Rd.

[LEARN MORE >>>](#)

- Barrel Length: 16"
- Overall Length: 37.25" (extended); 34" (collapsed)
- Weight: 7.19 lb. (empty)

FULL FN 15® SERIES SPECS: PAGE 127-128 – RIFLE ACCESSORIES 119-122

## **FN 15® SERIES** Military-Born, FN-Manufactured.

For U.S. sales only. For consumer and law enforcement sales.

**RIFLES**

### **FN 15® PATROL CARBINE**

#### **Primary Feature**

16" button broached chrome-lined barrel  
Semi-automatic only

#### **Receiver**

Hard-anodized aluminum  
Flat-top receiver, MIL-STD-1913 rail at the 12 o'clock position  
Midwest Industries carbine quad rail  
Front sling swivel

#### **Barrel**

A2-style compensator

#### **Stock**

Collapsible, 6-position with sling mount



#### **FN 15® PATROL CARBINE**

**Caliber: 5.56x45mm**  
**Magazine: Magpul 30 Rd.**

- Weight: 6 lb. (without brace)
- Overall Length: 31.9"–35.2"
- Barrel Length: 16"

[LEARN MORE >>>](#)

### **FN 15® CARBINE**

#### **Primary Feature**

Semi-automatic only  
A2-style front sight, removable carrying handle with rear sight

#### **Receiver**

Hard-anodized aluminum  
Flat-top receiver, MIL-STD-1913 rail at the 12 o'clock position

#### **Barrel**

Heavy barrel, button-broached, chrome-lined  
A2-style compensator

#### **Stock**

Collapsible, 6-position with sling mount  
Two-piece, single heat shield, oval hand guard



#### **FN 15® CARBINE**

**Caliber: 5.56x45mm)**  
**Magazine: 10 or 30 Rd.**

- Weight: 6.94 lb.
- Overall Length: 31.9"–35.2"
- Barrel Length: 16" (Heavy Barrel)

[LEARN MORE >>>](#)

**FULL FN 15® SERIES SPECS: PAGE 127–128 – RIFLE ACCESSORIES 119–122**

## **FN 15® STATE-COMPLIANT SERIES** Military-Born, FN-Manufactured.

For U.S. sales only. For consumer and law enforcement sales.

## **RIFLES**



### **FN 15® TACTICAL II CA**

**Caliber: 5.56x45mm**

- Operation: Direct Impingement
- California-Compliant
- Mag Capacity: 10 Rd.
- Weight: 7 lb.
- Barrel Length: 16"
- Overall Length: 36.75"

**LEARN MORE >>>**



### **FN 15® MD HEAVY BARREL RIFLE BLK 20**

**Caliber: 5.56x45mm NATO**

**Magazine: Magpul PMAG® 10 Rd.**

- Operation: Direct Impingement
- Maryland-Compliant
- Weight: 8.73 lb. (empty)
- Overall Length: 38"
- Barrel Length: 20"

**LEARN MORE >>>**



### **FN 15® DMR II CA**

**Caliber: 5.56x45mm**

- Operation: Direct Impingement
- California-Compliant
- Mag Capacity: 10 Rd.
- Weight: 7 lb.
- Barrel Length: 18"
- Overall Length: 38.75"

**LEARN MORE >>>**

**FULL FN 15® STATE-COMPLIANT SPECS: PAGE 127-128 – RIFLE ACCESSORIES 119-122**





## **FN PS90® The Ultimate in Bullpup Performance.**

AS9100C/EN9100:2009 certified. For U.S. sales only. For consumer, law enforcement, and military sales.

**RIFLES**

### **Primary Feature**

Bullpup design

### **Receiver**

Bottom ejection port with dust cover  
Blowback-operated action  
Alloy upper receiver and barrel support  
MIL-STD-1913 accessory rail  
Backup iron sights

### **Barrel**

Cold hammer-forged, chrome-lined barrel  
Ported flash suppressor

### **Stock**

Synthetic thumbhole bullpup design  
Forward handstop  
Molded-in rear sling attachment point

### **Operating Controls**

Ambidextrous charging handle  
Sliding trigger  
Ambidextrous safety switch inside trigger guard  
Enlarged trigger guard  
Ambidextrous magazine release

### **Magazine**

Translucent polymer body



**FN PS90®**  
**Caliber: 5.7x28mm**  
**Magazine: 10/30/50 Rd.**

- Barrel Length: 16.1"
- Stock Color: Matte black
- Sights: Backup iron
- Overall Length: 26.23"

**LEARN MORE >>>**

FULL FN PS90® SPECS: PAGE 127 – RIFLE ACCESSORIES 119-122

TO LEARN MORE ABOUT THE FN 5.7x28MM, GO TO PAGES 112 AND 113



## FN BALLISTA® Precision Bolt-Action Rifle.

ISO 9001 quality. For U.S. sales only. For consumer, law enforcement, and military sales.

## RIFLES

### Primary Features

Change calibers in less than 2 minutes  
Receiver is vibration-isolated from the aluminum chassis via elastomeric cushions

### Receiver

High-strength aluminum alloy with top-mounted MIL-STD-1913 rail  
Accepts magazines for multiple calibers without further modification

### Barrel

Hammer-forged chrome moly steel  
Complete with highly efficient, modular muzzle brake  
.338 Lapua mag. and .308 Winchester barrels utilize right-hand, polygonal, constant-twist rate

### Stock/Chassis

Ambidextrous, folding, and fully adjustable for length of pull, buttplate height, cheekpiece height, and cast-on/cast-off  
Modular chassis system has multiple mounting points for optional M-1913 rails and folding monopod

### Operating Controls

Ambidextrous magazine release forward of the trigger guard  
Two-stage trigger system which releases between 3 and 5 lb.  
Manual three-position safety locks the bolt closed  
Backup grip safety for an extra level of control

### Magazine

Advanced polymer construction  
Stainless steel spring  
Designed to protect projectile during recoil



Shown with optional accessories

### FN BALLISTA®

Caliber: .338 Lapua Mag.  
(converts to .300 Win. Mag. & .308 Win.)  
.338 Lapua Magazine: 5/8 Rd.

- Operation: Bolt-action
- Barrel Length: 26"
- Overall Length: 50.75" (extended); 49.5" (collapsed); 39" (folded)

[LEARN MORE >>>](#)

# WE ARE RENOWNED.

## **Own history of the highest caliber.**

Direct from the frontlines. Ready for your collection. The FN Military Collector Series includes the consumer versions of three legendary military firearms – the FN 15<sup>®</sup> M4 Military Collector, the FN 15<sup>®</sup> M16 Military Collector, and the FN M249S<sup>®</sup>; the semi-automatic versions of the M4A1, M16A4, and the FN<sup>®</sup> M249 SAW.







# FN 15® M4/M16 MILITARY COLLECTOR Authentic.

For U.S. sales only. For consumer, law enforcement, and military sales.

## MILITARY COLLECTOR SERIES

### Primary Features

Semi-automatic only

Faithful copies of the true, current, government-issue rifles

### Receiver

Hard-anodized aluminum

Flat-top receiver; MIL-STD-1913 rail at the 12 o'clock position

A2-style front sight; adjustable rear sight

UID label

### Barrel

Button-broached, chrome-lined barrel

A2-style compensator (permanently attached on M4 model)

1:7" right-hand twist

Side sling swivel attachment (M4 only)

### Stock

Collapsible six-position with sling mount on the M4

Fixed A2-style buttstock on the M16

Knight's Armament RAS with rail panels

Forward pistol grip

### Operating Controls

Ergonomic magazine release

Forward assist

Ambidextrous safety selector switch

### Magazine

Aluminum body

Low-friction follower

AR-style

30-round capacity



### FN 15® M4 MILITARY COLLECTOR

Caliber: 5.56x45mm

Magazine: 30 Rd.

- Barrel Length: 16.1"
- Overall Length: 34.0" (extended); 30.75" (collapsed)
- Weight: 6.64 lb. (empty)

[LEARN MORE >>>](#)



### FN 15® M16 MILITARY COLLECTOR

Caliber: 5.56x45mm

Magazine: 30 Rd.

- Barrel Length: 20"
- Overall Length: 39.7"
- Weight: 8.29 lb. (empty)

[LEARN MORE >>>](#)

FULL FN 15® M4/M16 MILITARY COLLECTOR SPECS: PAGE 127

# WE ARE UNWAVERING.

**FN shotguns are engineered to win in the world's harshest environments.**

Start with the FN SLP,<sup>™</sup> a quick-cycling and super-reliable self-loader. Perfect for tactical use, it's a favorite in the competitive world as well. The FN SLP<sup>™</sup> can be customized in a myriad of ways, configured perfectly for how you need it to perform.







## **FN SLP™ COMPETITION** Engineered to Win.

For U.S. sales only. For consumer and law enforcement sales.

### **Primary Features**

Gas-operated autoloader  
Flip-up rifle rear and red fiber-optic front sights

### **Receiver**

Nickel-Teflon® coated bolt and bolt carrier  
Blue hard-anodized aircraft-grade aluminum alloy receiver

### **Barrel**

Back-bored; vent rib  
Hard-chromed bore and 3" chamber  
Invector-Plus™ interchangeable choke tubes

### **Stock**

Matte black synthetic  
Checkered gripping panels on forearm and grip  
Premium nonslip recoil pad  
Two steel sling swivel studs

### **Operating Controls**

Receiver-mounted bolt release  
Crossbolt safety on rear of trigger guard

### **Magazine**

Extended tube  
Blue aluminum tube cover  
Aluminum follower



### **FN SLP™ COMPETITION**

**Gauge: 12-gauge, 2¾" & 3" chamber**  
**Ammo Capacity: 8+1 with 2¾" shells or 7+1 with 3" shells**

- Operation: Gas-operated autoloader
- Bbl./Choke: 24" Invector-Plus™
- Sights: Flip-up rifle rear; red fiber-optic front
- Overall Length: 45"

[LEARN MORE >>>](#)

**FULL FN SLP™ COMPETITION SPECS: PAGE 128 – ACCESSORIES 123**

# FN SLP™/FN SLP™ MK I Get the Ultimate in Autoloading Versatility.

For U.S. sales only. For consumer, law enforcement, and military sales.

## PREMIER SHOTGUNS

### Primary Feature

Gas-operated autoloader (FN SLP™ with interchangeable pistons)

### Receiver

Aircraft-grade aluminum alloy receiver

Top-mounted, one-piece MIL-STD-1913 accessory rail (FN SLP™)

Barrel-mounted, Weaver-pattern cantilever rail (FN SLP™ MK I)

### Barrel

Hard-chromed bore and 3" chamber

Standard Invector™ interchangeable choke tubes

Accessory barrels are available

### Stock

Matte black synthetic

Checkered gripping panels on forearm and grip

Premium nonslip recoil pad

Two steel sling swivel studs

### Operating Controls

Receiver-mounted bolt release

Curved operating handle

Crossbolt safety on rear of trigger guard

### Magazine

Extended tube with aluminum cover



### FN SLP™

**Gauge: 12-gauge, 2¾" & 3" chamber**  
**Ammo Capacity: 6+1 with 2¾" shells or 5+1 with 3" shells**

- Operation: Gas-operated autoloader
- Bbl./Choke: 18" Standard Invector™
- Sights: High/adj. rear; wing-protected front
- Overall Length: 39"

[LEARN MORE >>>](#)



### FN SLP™ MK I

**Gauge: 12-gauge, 2¾" & 3" chamber**  
**Ammo Capacity: 8+1 with 2¾" shells or 7+1 with 3" shells**

- Operation: Gas-operated autoloader
- Bbl./Choke: 22" Standard Invector™
- Sights: Low/adj. rear; red fiber-optic front
- Overall Length: 43"

[LEARN MORE >>>](#)

FULL FN SLP™/FN SLP™ MK I SPECS: PAGE 128 – ACCESSORIES 123

## **FN P-12™ Rugged, Simple, and Unbeatable.**

For U.S. sales only. For consumer and law enforcement sales.

### **Primary Feature**

Rapid-cycling pump-action

### **Receiver**

Aircraft-grade aluminum alloy receiver

Rotary locking bolt

Barrel-mounted, Weaver-pattern cantilever rail

### **Barrel**

Chrome-lined bore and 3" chamber

Standard Invector™ improved cylinder  
interchangeable choke tubes

### **Stock**

Matte black synthetic

Aggressive checkered gripping panels  
on buttstock and fore-end

Premium nonslip recoil pad

Two sling swivel studs

### **Operating Controls**

Receiver-mounted action release

Crossbolt safety in front of trigger guard

### **Magazine**

5+1 with 2¾" shells

4+1 with 3" shells



### **FN P-12™**

**Gauge: 12-gauge, 2¾" & 3" chamber**

**Ammo Capacity: 5+1 with 2¾" shells or  
4+1 with 3" shells**

- Operation: Pump-action
- Bbl./Choke: 18" Standard Invector™
- Sights: Flip-up iron rear;  
red fiber-optic front
- Overall Length: 39"

[LEARN MORE >>>](#)

**FULL FN P-12™ SPECS: PAGE 128**



# WE ARE UNDISPUTED.

## **Our military-contracted, fully automatic firearms adapt to every battlefield.**

The FN belt-fed machine guns, select-fire rifles and carbines, and more, are the ultimate force multiplier: unrelenting, incredibly reliable, and battle-tested by the world's finest troops. Start with the legendary FN<sup>®</sup> M240 (also known as the FN MAG<sup>®</sup> or FN MAG<sup>®</sup>58), the medium machine gun choice of the U.S. military for more than 40 years, and the best friend an infantry squad will ever have. As our heritage has evolved, so too has our firepower. No matter the mission, no matter the environment, the modular and mission-adaptable FN<sup>®</sup> MK 16 and FN<sup>®</sup> MK 17 are the choice of individual warfighters worldwide. The FN<sup>®</sup> MK 16 (5.56x45mm) and the FN<sup>®</sup> MK 17 (7.62x51mm) are modular: designed to be instantly adaptable to local conditions and needs. These are the machine guns, rifles, and carbines whose reliability and toughness make them **the world's most battle-proven firearms<sup>®</sup>**.









# FN® MK 16 Lightweight, Adaptable, Modular, and Accurate.

AS9100C/EN9100:2009 certified. Contract awarded by U.S. government. For military sales only.

## MILITARY RIFLES AND CARBINES

### Primary Features

Compact design; select fire  
Short-stroke gas piston  
Composite polymer trigger module

### Receiver

Hard-anodized monolithic aluminum receiver  
MIL-STD-1913 accessory rails at 3, 6, 9,  
and 12 o'clock positions

### Barrel

Cold hammer-forged, chrome-lined, free-floating barrel  
Barrels can be changed at the operator level in  
under 5 minutes with a point of impact shift of less  
than 1 MOA from previously established zero  
Highly effective flash hider/QD suppressor interface

### Stock

Telescopic design; composite polymer construction  
Side-folding feature provides a compact package  
in aircraft and vehicle deployments; can still be  
fired from the folded position

### Operating Controls

Ambidextrous selector lever and magazine release  
Enlarged trigger guard for easier access when  
wearing gloves  
Adjustable gas regulator for use with sound suppressor  
to maintain constant rate of fire

### Magazine

Steel body; low-friction, anti-tilt follower  
Compatible with M16/M4 magazines



**FN® MK 16 LB  
(LONG BARREL)**  
Caliber: 5.56x45mm  
Magazine: 30 Rd.

- Cyclic Rate of Fire: 625 RPM
- Effective Range: 800m point target
- Barrel Length: 18"
- Overall Length: 39.0" (extended);  
36.5" (collapsed); 29.0" (folded)

[LEARN MORE >>>](#)

**FN® MK 16 (STANDARD)**  
Caliber: 5.56x45mm  
Magazine: 30 Rd.

- Cyclic Rate of Fire: 625 RPM
- Effective Range: 600m point target
- Barrel Length: 14"
- Overall Length: 35.0" (extended);  
32.5" (collapsed); 25.0" (folded)

[LEARN MORE >>>](#)

**FN® MK 16 CQC (CLOSE  
QUARTERS COMBAT)**  
Caliber: 5.56x45mm  
Magazine: 30 Rd.

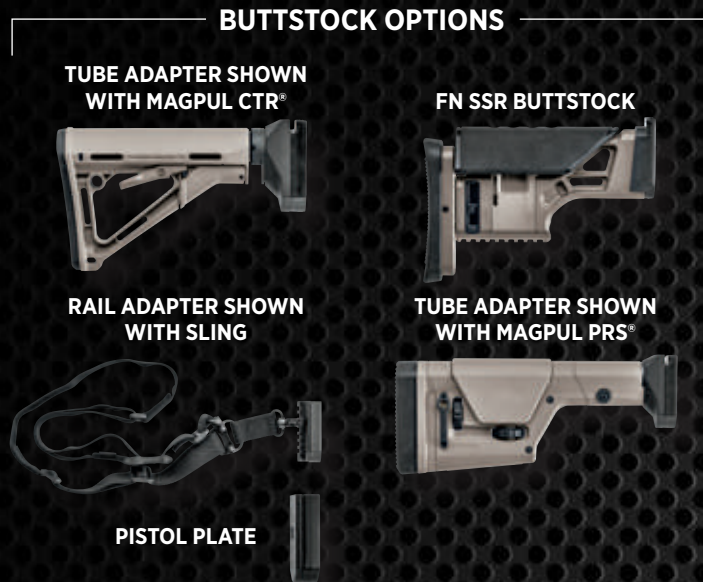
- Cyclic Rate of Fire: 625 RPM
- Effective Range: 400m point target
- Barrel Length: 10"
- Overall Length: 31.0" (extended);  
28.5" (collapsed); 21.0" (folded)

[LEARN MORE >>>](#)

FULL FN® MK 16 SPECS: PAGE 129

# FN® MK 17 MODULARITY

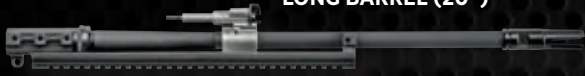
7.62MM • 6.5MM CREEDMOOR • .260 REMINGTON • 5.56MM



# ADAPTABLE FOR ANY MISSION

## MK 20 BARREL OPTIONS

LONG BARREL (20")



CALIBER OPTIONS • 7.62MM, 6.5MM CREEDMOOR, AND .260 REM

## MK 17 BARREL OPTIONS

7.62MM STD (16")



7.62MM CQC (13")



LONG BARREL (20")



CALIBER OPTIONS • 7.62MM, 6.5MM CREEDMOOR, AND .260 REM

## MK 17 UNDER-BARREL OPTIONS



MK 15 EGLM  
M26 MASS (not pictured)  
M320 GRENADE LAUNCHER  
(not pictured)

## 5.56MM BARREL OPTIONS

5.56MM STD (14")



5.56MM CQC (10")



5.56MM LONG BARREL (18")



## 7.62MM SUPPRESSORS



FN QD 701



FN QD 702

## 5.56MM SUPPRESSORS



FN QD 502

.260 REM



5.56MM





# FN® MK 17 Lightweight, Adaptable, Modular, and Accurate.

AS9100C/EN9100:2009 certified. Contract awarded by U.S. government. For military sales only.

## MILITARY RIFLES AND CARBINES

### Primary Features

Compact design; select fire  
Short-stroke gas piston  
Composite polymer trigger module

### Receiver

Hard-anodized monolithic aluminum receiver  
MIL-STD-1913 accessory rails at 3, 6, 9,  
and 12 o'clock positions

### Barrel

Cold hammer-forged, chrome-lined, free-floating barrel  
Barrels can be changed at the operator level in  
under 5 minutes with a point of impact shift of less  
than 1 MOA from previously established zero  
Highly effective flash hider/QD suppressor interface

### Stock

Telescopic design; composite polymer construction  
Side-folding feature provides a compact package  
in aircraft and vehicle deployments; can still be fired  
from the folded position

### Operating Controls

Ambidextrous selector lever and magazine release  
Enlarged trigger guard for easier access when  
wearing gloves  
Adjustable gas regulator for use with sound suppressor  
to maintain constant rate of fire

### Magazine

Steel body; low-friction, anti-tilt follower  
Extended base pad for improved ergonomics



**FN® MK 17 LB  
(LONG BARREL)**  
Caliber: 7.62x51mm  
Magazine: 20 Rd.

- Cyclic Rate of Fire: 600 RPM
- Effective Range: 900m point target
- Barrel Length: 20"
- Overall Length: 42.0" (extended); 39.5" (collapsed); 32.0" (folded)

[LEARN MORE >>>](#)



**FN® MK 17 (STANDARD)**  
Caliber: 7.62x51mm  
Magazine: 20 Rd.

- Cyclic Rate of Fire: 600 RPM
- Effective Range: 700m point target
- Barrel Length: 16"
- Overall Length: 38.0" (extended); 35.5" (collapsed); 28.0" (folded)

[LEARN MORE >>>](#)



**FN® MK 17 CQC (CLOSE  
QUARTERS COMBAT)**  
Caliber: 7.62x51mm  
Magazine: 20 Rd.

- Cyclic Rate of Fire: 600 RPM
- Effective Range: 500m point target
- Barrel Length: 13"
- Overall Length: 35.0" (extended); 32.5" (collapsed); 25.0" (folded)

[LEARN MORE >>>](#)

FULL FN® MK 17 SPECS: PAGE 127



## FN® MK 13 EGLM/FN® FCU Mk3 Enhanced Fire Support.

AS9100C/EN9100:2009 certified. MK 13 EGLM. For military and law enforcement sales only.

## MILITARY RIFLES AND CARBINES

### FN® MK 13 EGLM

The FN® Enhanced Grenade Launcher Module (FN® MK 13 EGLM) accepts all NATO standard 40mm low-velocity grenades. It may be quickly mounted underneath either the FN® MK 16 or FN® MK 17, or it may be configured as a stand-alone launcher with a telescoping buttstock. It is tested, operational, and currently deployed in harm's way with elite units of U.S. Armed Forces.

Single-shot; manual action

Composite polymer trigger module

Automatic ejector for rapid ejection of fired case

Optimized ergonomic trigger location when mounted using trigger adapters to either the FN® MK 16 or FN® MK 17

Dual locking clamp levers provide secure mounting to FN® MK 16 or FN® MK 17 rifles or to a stand-alone stock assembly

### FN® MK 13 EGLM

- 40mm low-velocity
- Rotating locking breech system
- Double-action trigger capable of multiple strikes
- Leaf sight, mechanical quadrant sight, or Fire Control Unit (FN® FCU)
- Effective Range (low-velocity grenades): 100m point target; 300m area target
- Weight: 2.96 lb. for FN® MK 16 (empty); 3.0 lb. for FN® MK 17 (empty); 5.92 lb. stand-alone (empty)

[LEARN MORE >>>](#)

### FN® FCU Mk3

Designed to enhance all 40mm LV and MV grenade launchers, the FN Fire Control Unit (FN® FCU) uses advanced electronics to simplify range finding and elevation corrections for the operator, even under severe combat conditions. The unit is an advanced sight design for use with any 40mm grenade launcher—stand-alone and under-barrel—and portable antitank weapon.

Flashing reticle indicator allows correction for left/right weapon cant

Remotely mounted pressure switch with ruggedized cord connection port

Housing shape allows use of rifle's optical and/or iron sights

Ballistic computer instantly calculates firing solutions and stores up to 50 different types; built-in clinometers sense initial up/down sighting angle; temperature sensor allows a correction in firing solution



### FN® FCU Mk3

- Undetectable and eye-safe laser range finder effective: 1,000m effective range (1.5 x 1.5m target, 5km visibility, 28% target reflection)
- Only one battery (CR123)
- Quick release attachment compatible with MIL-STD-1913 rail
- IR laser pointer Class 1/3B
- IR laser safety feature with a dedicated switch or by using a high-visibility blue training cable

[LEARN MORE >>>](#)

FULL FN® MK 13 EGLM/FN® FCU MK3 SPECS: PAGE 129





## FN® MK 20 SSR Secure Long-Range Precision.

AS9100C/EN9100:2009 certified. Contract awarded by U.S. government. For military sales only.

## MILITARY RIFLES AND CARBINES

### Primary Features

Semi-automatic  
Rotating, locking bolt  
Composite polymer trigger module  
Capable of suppressed fire

### Receiver

Hard-anodized monolithic aluminum receiver  
MIL-STD-1913 accessory rails at 3, 6, 9,  
and 12 o'clock positions

### Barrel

Cold hammer-forged, chrome-lined barrel  
Fully free-floating design  
Can be removed/replaced by the operator  
Flash hider optimized for suppressed fire

### Stock

Non-folding and adjustable length of pull  
without tools  
Aluminum and polymer construction

### Operating Controls

Ambidextrous selector lever and magazine release  
Charging handle may be mounted on right or left side  
Adjustable gas regulator for use with or  
without suppressor

### Magazine

Steel body; low-friction follower  
Extended base pad



**FN® MK 20 SSR**  
**Caliber: 7.62x51mm**  
**Magazine: 10/20 Rd.**

- Operation: Short-stroke gas piston
- Effective Range: 1,000m point target
- Overall Length: 42.5" (extended);  
40.5" (collapsed)

[LEARN MORE >>>](#)



# FN® M249 SAW/FN® M249 PARA The Ultimate Force Multiplier.

AS9100C/EN9100:2009 certified. For law enforcement and military sales only.

## MILITARY MACHINE GUNS

### Primary Features

- Open-bolt operation; belt-fed
- Matte black non-reflective finish
- Comes with an adjustable titanium bipod

### Receiver

- Formed steel frame with right-side ejection port
- Holes for attaching on tripod and vehicle mounts
- Top cover with integrated MIL-STD-1913 mounting rail for sighting systems

### Barrel

- Changeable
- Cold hammer-forged steel
- Hard chrome-plated bore and chamber

### Stock

- Highly ergonomic polymer buttstock assembly with hydraulic recoil buffer system and nonslip buttplate on FN® M249 SAW
- Rotating, telescoping metal buttstock assembly with hydraulic recoil buffer system and nonslip buttplate on FN® M249 PARA
- Kit consisting of polymer buttstock and 20.5" barrel to convert FN® M249 PARA to FN® M249 SAW configuration is available

### Operating Controls

- Cross-bolt safety
- Curved trigger for improved finger position and control in rapid fire
- Non-reciprocating charging handle
- Ambidextrous feed cover latches
- Removable trigger guard for use with Arctic gloves

### Feed System

- Belt feed from left side
- Interface under the receiver for box or pouch holding 100- or 200-round belt
- Feeds M16-type magazine without any modification to the weapon



### FN® M249 SAW

**Caliber: 5.56x45mm**

- Cyclic Rate of Fire: 850 RPM
- Effective Range: 800m point target
- Maximum Range: 3,600m
- Barrel Length: 20.5"
- Overall Length: 40.75"

*Also known as the FN MINIMI®*

[LEARN MORE >>>](#)



### FN® M249 PARA

**Caliber: 5.56x45mm**

- Cyclic Rate of Fire: 850 RPM
- Effective Range: 800m point target
- Maximum Range: 1,800m
- Barrel Length: 16.3"
- Overall Length: 36" (extended); 30.5" (collapsed)

*Also known as the FN MINIMI®*

[LEARN MORE >>>](#)

FULL FN® M249 SAW / FN® M249 PARA SPECS: PAGE 130 – RIFLE ACCESSORIES 119-122



## FN® MK 46/FN® MK 48 Operations-Ready Machine Guns.

AS9100C/EN9100:2009 certified. For law enforcement and military sales only.

## MILITARY MACHINE GUNS

### Primary Features

- Open-bolt operation; belt-fed
- Matte black non-reflective finish
- Comes with an adjustable titanium bipod

### Receiver

- Formed steel frame with right-side ejection port
- Holes for attaching on tripod and vehicle mounts
- Top cover with integrated MIL-STD-1913 mounting rail for sighting systems

### Barrel

- Changeable
- Cold hammer-forged steel
- Hard chrome-plated bore and chamber

### Stock

- Highly ergonomic polymer buttstock assembly with hydraulic recoil buffer system and nonslip buttplate
- Optional rotating, telescoping metal buttstock assembly with hydraulic recoil buffer system and nonslip buttplate

### Operating Controls

- Cross-bolt safety
- Curved trigger for improved finger position and control in rapid fire
- Non-reciprocating charging handle
- Ambidextrous feed cover latches
- Removable trigger guard for use with Arctic gloves

### Feed System

- Belt feed from left side
- Interface under the receiver for box or pouch holding 100- or 200-round belt



### FN® MK 46 MOD 1

#### Caliber: 5.56x45mm

- Cyclic Rate of Fire: 750 RPM
- Effective Range: 800m point target
- Maximum Range: 1,800m
- Barrel Length: 16.30"
- Overall Length: 36.22"

[LEARN MORE >>>](#)



### FN® MK 46 MOD 2

- Barrel Length: 16.30"
- Overall Length: 34.11-37.11"



### FN® MK 48 MOD 1

#### Caliber: 7.62x51mm

- Cyclic Rate of Fire: 730 RPM
- Effective Range: 800m point target (tracer burnout)
- Maximum Range: 3,600m
- Barrel Length: 19.75"
- Overall Length: 39.75"

[LEARN MORE >>>](#)



### FN® MK 48 MOD 2

- Barrel Length: 19.75"
- Overall Length: 37.42-40.41"

FULL FN® MK 46 / FN® MK 48 SPECS: PAGE 128

# FN® M240 SERIES The Standard in Medium Machine Guns.

AS9100C/EN9100:2009 certified. For law enforcement and military sales only.

## Primary Features

Open-bolt operation

Belt-fed with quick change barrel

## Receiver

Gas-operated

Solid steel frame on all models except FN® M240L (titanium)

Fires from the open-bolt position to reduce heat buildup and potential for chambered round cook-off

Multiple integrated MIL-STD-1913 mounting rails for optics, lights, and laser devices

Holes for attaching on tripod and vehicle mounts

Top cover with integrated MIL-STD-1913 mounting rail for sighting systems

## Barrel

Cold hammer-forged steel; air-cooled design

## Stock

Highly ergonomic polymer buttstock assembly with hydraulic recoil buffer system and nonslip buttplate (FN® M240B/FN® M240L)

Ability to mount on a bipod, tripod vehicle, or aircraft (FN® M240C/FN® M240D/FN® M240H)

Optional Egress Kit for converting pintle-mount models to ground fire support configuration (FN® M240C/FN® M240D/FN® M240H)

## Operating Controls

Cross-bolt safety

Offset charging handle for easy access and operation

Dual spade grips for enhanced control in burst and sustained fire (FN® M240D/FN® M240H)

## Feed System

NATO standard belt-fed disintegrating link

## FN® M240B

Caliber: 7.62x51mm

- Cyclic Rate of Fire: 550 to 650 RPM
- Gas Regulator: Single-port
- Barrel Length: 21.7"
- Overall Length: 48.5"
- Other Specs: Extended charging handle

## FN® M240L

Caliber: 7.62x51mm

- Cyclic Rate of Fire: 550 to 650 RPM
- Gas Regulator: Single-port
- Barrel Length: 21.7"
- Overall Length: 48.5"
- Other Specs: Titanium receiver; composite trigger grip; titanium front sight; lightweight barrel (5.8 lb.)

## FN® M240H

Caliber: 7.62x51mm

- Cyclic Rate of Fire: 550 to 650 RPM
- Gas Regulator: Single-port
- Barrel Length: 21.7"
- Overall Length: 41.6"
- Other Specs: Optional forward MIL-STD-1913 rails; offset charging handle; open-pronged flash hider



[LEARN MORE >>>](#)

## FN® M240/M240C

Caliber: 7.62x51mm

- Cyclic Rate of Fire: 650 to 950 RPM
- Gas Regulator: 3-port
- Barrel Length: 21.7"
- Overall Length: 41.6"
- Other Specs: Right-hand feed system

## FN® M240D

Caliber: 7.62x51mm

- Cyclic Rate of Fire: 650 to 950 RPM
- Gas Regulator: 3-port
- Barrel Length: 21.7"
- Overall Length: 41.6"
- Other Specs: Offset charging handle

[FULL FN® M240 SERIES SPECS: PAGE 130](#)

# FN® M2HB-QCB Unbeatable Long-Range Firepower.

AS9100C/EN9100:2009 certified. For law enforcement and military sales only.

## MILITARY MACHINE GUNS

### Primary Features

Closed-bolt design; short-recoil barrel operation

### Receiver

Projected service life in excess of 100,000 rounds

### Barrel

Hammer-forged steel

18,000-round service life, high-temperature-resistant alloy barrel

10,000-round service life chrome barrel

Quick Change Barrel (QCB) feature allows the barrel to be quickly exchanged by one operator and eliminates the need to check and adjust headspace and timing at the user level

Compatible with any and all FN QCB barrels

### Mount

Compatible with many armored vehicle and naval craft mounts

Adjustable M3 ground-mount tripod with traversing and elevation mechanism to provide accurate fire on pre-established targets

### Operating Controls

Dual spade grips for enhanced control in burst and sustained fire

Right-hand cocking handle for easy operator access

Trigger safety system

### Feed System

NATO standard .50-caliber belt-linked ammunition

Left- or right-hand belt feed design readily adapts to a variety of mounting positions and available space

Left- or right-hand-fired link ejection

Bottom-fired case ejection



**FN® M2HB-QCB**  
**Caliber: .50**  
**(12.7x99mm)**

- Cyclic Rate of Fire: 485 to 635 RPM
- Effective Range: 1,850m (area target)
- Maximum Range: 6,500m (grazing fire)
- Overall Length: 65.1"
- Weight: 84 lb. (empty)
- Other Specs: 26 to 42.77 lb. trigger sear maximum pull; 0.3" trigger travel to discharge

[LEARN MORE >>>](#)





## FN® M3M (GAU-21) The Next Generation in .50-Caliber Machine Guns.

AS9100C/EN9100:2009 certified. Contract awarded by U.S. Navy. For military sales only.

## MILITARY WEAPONS SYSTEMS

### Primary Features

Open-bolt operation

1,025 +/- 75 RPM cyclic rate of fire

The GAU-21 Machine Gun is a recoil-operated air cooled automatic weapon firing the .50 Caliber ammunition from the open bolt position

Operating elevation range +/- 70 degrees

### Receiver

Solid steel frame for durability

Open-bolt firing system (no cook-off risk)

### Barrel

Cold hammer-forged steel; 10,000-round life

Enhanced flash hider offers reduced firing signature to increase compatibility with current night vision equipment

Perforated barrel jacket for improved cooling and longer life

### Mount

Provides optimal field of fire with aircraft's centerline for wider target coverage  
dedicated, mission tailored mounts for air, land & sea platforms

Provides -70 degrees maximum depression angle for wider target coverage

### Feed System

NATO standard belt-fed disintegrating link for added reliability

Flexible ammunition feed chute system reduces misfeeds

Accepts ammunition boxes from 100 to 600 rounds for greater mission versatility

Left- or right-side ammunition feeding without extra components



### FN® M3M (GAU-21)

Caliber: .50  
(12.7x99mm)

- Operation: Short recoil
- Effective Range: 2,500m
- Maximum Range: 6,500m
- Barrel Length: 36"
- Overall Length: 64.8"
- Height: 7.6"
- Weight: 81.6 lb. (empty)

[LEARN MORE >>>](#)

FULL FN® M3M (GAU-21) SPECS: PAGE 130



## FN® M3P The Next Generation in .50 Caliber Machine Guns.

AS9100C/EN9100:2009 certified. For U.S. military sales only.

## MILITARY WEAPONS SYSTEMS

### Primary Features

1,025 +/- 75 RPM cyclic rate of fire

Short-recoil operated

Programmable burst limit via Armament Management System

### Receiver

Solid steel frame for durability

### Barrel

Cold hammer-forged steel; 10,000-round life

Enhanced flash hider offers reduced firing signature to increase compatibility with current night vision equipment

Perforated barrel jacket for improved cooling and longer life

### Mount

Designed for aircraft use with FN pod systems, fixed-forward gun mounts, and in-wing applications

Dual buffer system for reduced recoil forces

Mounted on elastic cradle system for increased accuracy with reduced wear and vibration

Provides optimal field of fire with aircraft's centerline for wider target coverage



### FN® M3P

#### Caliber: .50 (12.7x99mm)

- Effective Range: 2,500m
- Maximum Range: 6,500m
- Barrel Length: 36"
- Overall Length: 66.1" (short standard flash hider); 70.9" (long standard flash hider)
- Overall Height: 7"

- Weight: 80.5 lb. (empty, short standard flash hider); 82 lb. (empty, long standard flash hider)
- Other Info: Especially designed for airborne operations; solenoid firing; compatible with a wide range of "mission-tailored" ammunition; left- or right-side ammunition feeding without extra components

[LEARN MORE >>>](#)



# FN® MAG® 58M / FN® MINIMI® / FN® M240 PINTLE WEAPON SYSTEM.

# MILITARY WEAPONS SYSTEMS

FN Makes the Mounts to Meet Your Mission. AS9100C/EN9100:2009 certified. For U.S. military sales only.

A machine gun is only as effective as its mounting system. FN builds a full spectrum of pintles for each of our machine guns that provide a secure mounting interface for rotary-wing aircraft, naval craft, and ground vehicles. FN® pintle systems are used by the U.S. military and allied forces worldwide, providing warfighters with the significant firepower advantage they need in every operational engagement.

## Description

*This weapon system provides multi weapon support capability and consists of:*

A light Pintle Head ( FN® LPH MAG-MINIMI) soft mount which can be fitted with one of the following weapons:

- 7.62mm FN MAG® 58M/Infantry (GPMG) machine guns
- 7.62mm FN MINIMI®/FN® MK 48 machine guns
- 5.56mm FN MINIMI®/FN® M249 machine gun
- 7.62mm FN® M240 versions D, H & L machine guns

## Key Benefits

Fully mechanical (no electrical power required)

Ability to change weapon configurations within minutes

Rate of fire dependent on weapon fitted

Ammunition box / ammunition pouch support (7.62mm or 5.56mm)

Open bolt firing system (no cook-off risk)

NATO G3 Cone interface (0.50" Interface optional)

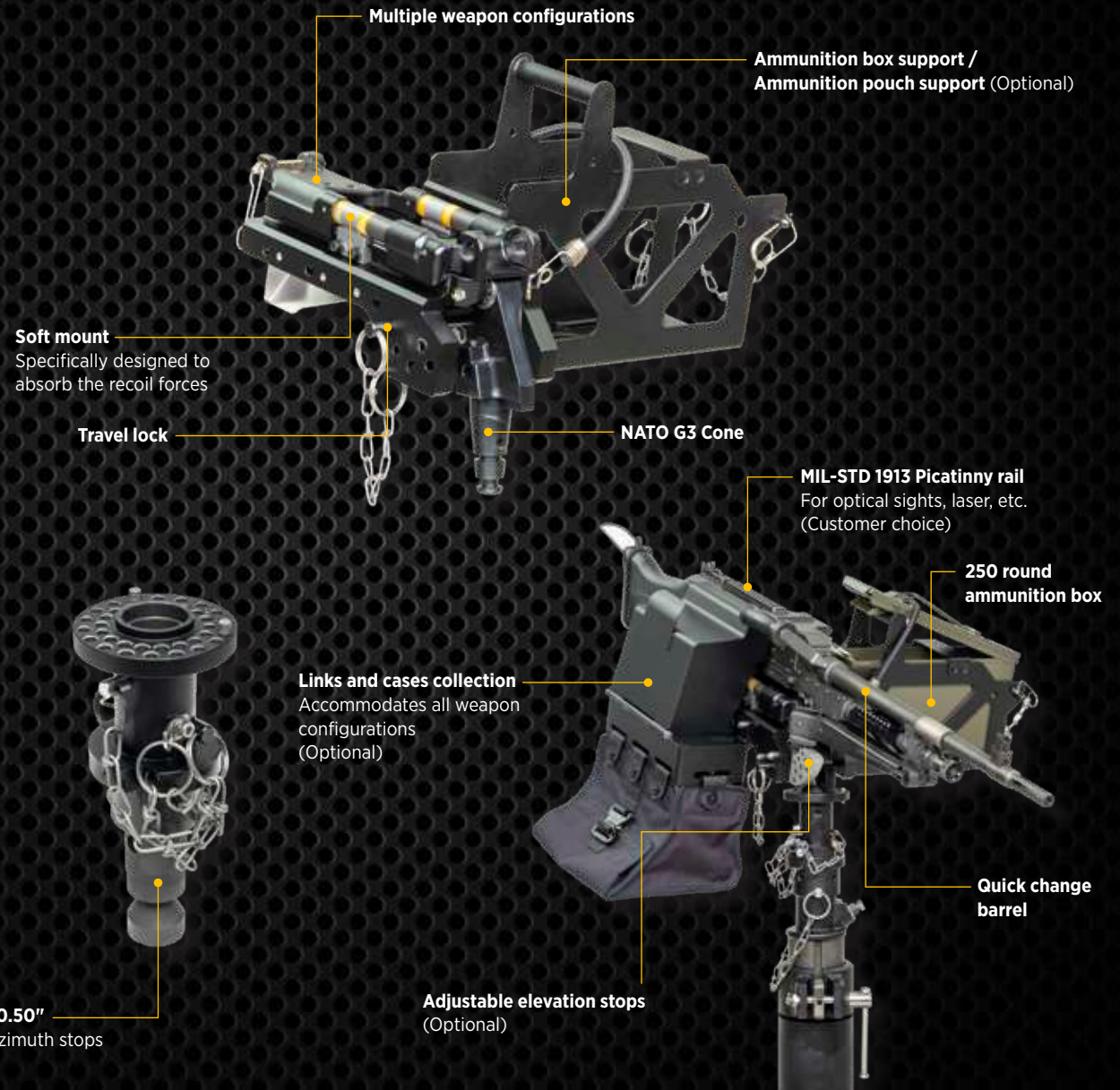
MIL-STD-810 qualified with each weapon configuration

## Optional items available:

Links and Cases collection (LCC) – 250 round or 500 round capacity

Adjustable elevation stops: -10° to -60° in 5° increments

Interface sleeve for U.S. 0.50" receiver with adjustable azimuth stops in 10° increments



## **FN® PINTLE SYSTEMS** FN Makes the Mounts to Meet Your Mission.

AS9100C/EN9100:2009 certified. For U.S. military sales only.



**FN® MBP**  
with FN® M2HB-QCB  
mounted

### **FN® MBP (MEDIUM BOAT PINTLE)**

**For Sea Use Only.**

**Capacity: 100 Rd.**

- Designed for use with the FN® M2HB-QCB machine gun
- FN® MPH (Medium Pintle Head) soft mount for land and sea platforms
- Telescopic column with adjustable azimuth firing stops
- Traverse Capability: 360 degrees
- Elevation/depression angles: +49 to -15 degrees
- Weight: 546 lb. with weapon; 100 rounds of ammunition; armor shield and shoulder brace
- Height adjustable column from 48.5" to 63.5"

**LEARN MORE >>>**



**FN® MVP**  
with FN® M3M (GAU-21)  
mounted

### **FN® MVP (MEDIUM VEHICLE PINTLE) FOR FN® M3M (GAU-21)**

**For Land and Sea Use Only.**

**Capacity: 300 Rd.**

- MIL-STD-810 qualified
- Only officially qualified land and sea mount for the FN® M3M
- Designed for use with FN® M3M (GAU-21) machine gun
- Traverse Capability: 360 degrees
- Elevation/depression angles: +60 to -20 degrees
- Telescopic column with adjustable firing stops in azimuth (cf FN® MBP)
- Front armor shield available
- Weight: 275.6 lb. with weapon and 300 rounds of ammunition (column not included)

**LEARN MORE >>>**



## **FN® MDP TURNING**

with FN® M3M (GAU-21) mounted

## **FN® MDP (MEDIUM DOOR PINTLE) TURNING**

**For Airborne Use Only.**

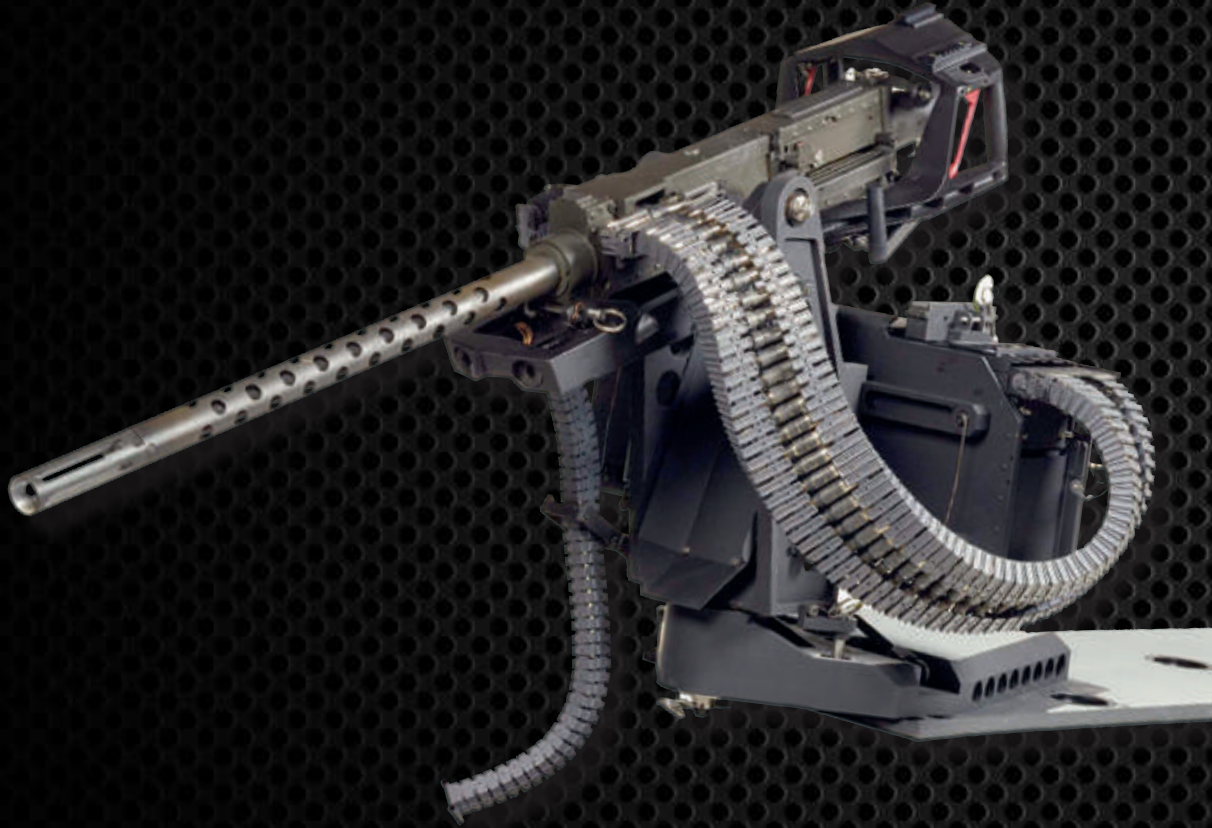
**Capacity: 300-Rd. Quick Release Ammunition Box  
with Flexible Feed Chute**

- Designed for use with FN® M3M (GAU-21) machine gun
- Two flexible chutes for ammunition feed and link collection
- Traverse Capability: 180 degrees, adjustable per mission configuration
- Depression Angle: 0 to -60 degrees, depending on carrier integration
- Elastic weapon cradle assembly with dual trigger
- Fired case deflector (cf FN® MRP)
- Weight: 517 lb. with weapon and 300 rounds of ammunition

**LEARN MORE >>>**







**FN® MRP**

with FN® M3M (GAU-21) mounted

**FN® MRP (MEDIUM RAMP PINTLE)**

**For Airborne Use Only.**

**Capacity: 300-Rd. Quick Release Ammunition Box  
with Flexible Feed Chute**

- Designed for use with FN® M3M (GAU-21) machine gun
- Elastic weapon cradle assembly with dual trigger
- Fired case deflector
- Azimuth rotating yoke assembly with 172 degrees of traverse
- Flexible links chute with downward ejection
- Depression Angle: 0 to -70 degrees

**LEARN MORE >>>**



# FN® POD SYSTEMS For Helicopters and Subsonic Fixed-Wing Aircraft.

AS9100C/EN9100:2009 certified. For U.S. military sales only.

# MILITARY WEAPONS SYSTEMS

## Primary Features

Accepts one FN® M3P machine gun

1,025 ± 75 RPM cyclic rate of fire per gun/pod

FN® PC 17 Pod Control Panel features ARM/SAFE functions, remote recocking, programmable burst limit and rounds count

Capable of emergency jettison from the aircraft

Firing solenoid as well as safety and cocking device

### A. Safety and Cocking Device

This system incorporates safety mechanisms in the recocking device so that there are no chambered rounds until the system is armed to fire. The machine gun can be remotely recocked in flight.

### B. Ammunition Box

The FN® HMP250 / FN® RMP (250-round capacity) or FN® HMP400 (400-round capacity) ammunition box is reversible and allows feeding from the left or right side without extra components. Its design guarantees smooth movement of the ammunition belt with no risk of jamming or fouling due to aircraft maneuvers or acceleration.

### C. Boresighting Device

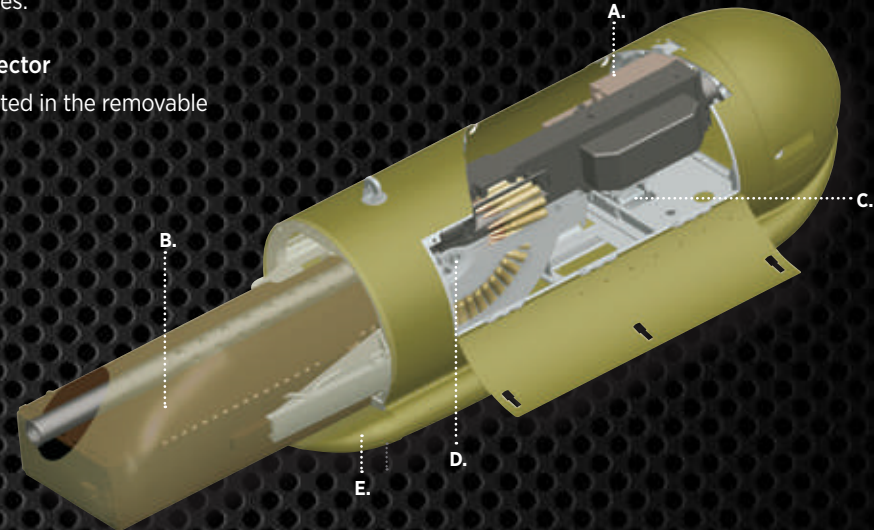
An elevation and azimuth adjustment device enables the gun to match the carrier aircraft's optical sighting line.

### D. Soft Mount

The recoil forces that occur when the weapon is fired can be a source of structural fatigue on the carrier aircraft and can also reduce the precision of the gun. In FN® pod systems, the machine gun is fitted on a soft mount that absorbs the recoil forces.

### E. Spent Link and Fired Case Collector

All of the cases and links are collected in the removable Link and Case Collector (LCC).



FN® PC 17 POD CONTROL PANEL



FN® BTI4-2 ARMAMENT MANAGEMENT SYSTEM

### FN® HMP250 POD

**Capability: .75 Mach**  
**Capacity: 250 Rd.**

- Weight: 194 lb. (empty); 257 lb. (loaded)
- Height: 16.1" exterior pod
- Length: 71.3" exterior pod
- Other Info: Fired link and case collector on the FN® HMP250 LCC

[LEARN MORE >>>](#)

### FN® HMP400 POD

**Capability: .75 Mach**  
**Capacity: 400 Rd.**

- Weight: 197 lb. (empty); 305 lb. (loaded)
- Height: 17.1" exterior pod
- Length: 76.4" exterior pod
- Other Info: Fired link and case collector on the FN® HMP400 LCC

[LEARN MORE >>>](#)

### FN® RMP POD

**Capability: .70 Mach**  
**Capacity: 250 Rd.**

- Weight: 212 lb. (empty); 351 lb. (loaded with three rockets)
- Height: 17.1" exterior pod
- Length: 76.4" exterior pod
- Three 2.75"/70mm rocket launcher tubes
- Fired link collector
- Accepts all NATO standard 2.75"/70mm FFARs to include laser-guided rockets (LGR)

[LEARN MORE >>>](#)

# FN® D-PC DIGITAL POD CONTROLLER The AMS for Digital Pods or Rocket Launchers.

AS9100C/EN9100:2009 certified. For U.S. military sales only.

## Primary Features

MIL-STD-1760 standard compliant, operates 2 stations (gun and/or rockets)

Easy to operate

Automatic pod type identification (including FN® D-INT)

Allows selection of weapons and corresponding mode

Misfiring detection

Master armament switch included

NVG compatibility

High reliability

ITAR-free

Rocket zone selection

## Technical Data

Overall Dimensions	
Length (including rear connector)	121mm (4.76")
Width	146mm (5.75")
Height	38mm (1.49")
Between fixation screws (width)	136.30mm (5.36")
Between fixation screws (height)	9.52mm (0.37")
Mass	
FN® D-PC	0.600 kg (1.32 lb)
Front Panel Dimensions	
Length	6mm (0.23")
Width	146mm (5.75")
Height	38mm (1.49")
Box Dimensions	
Length (without rear connector)	103mm (4.05")
Width	127mm (5")
Height	36.5mm (1.43")

\*via FN® D-INT (Digital Intervalometer)



- A. Weapon Selection: OFF, GUN, Rockets ripple launch, Rockets single launch
- B. Left Station Switch
- C. Left Station enable light
- D. Optional Laser Pointer compatible with Night Vision Goggles (NVG)
- E. Right Station enable light
- F. Right Station Switch
- G. Master Armament Switch (MAS)
- H. Left Station Control Screen
- I. Right Station Control Screen

# FN® D-HUD DIGITAL HEAD-UP DISPLAY

# MILITARY WEAPONS SYSTEMS

The Sighting Solution for Fixed-Forward Weapon Systems on Rotary-Wing Aircraft. AS9100C/EN9100:2009 certified. For U.S. military sales only.

The FN® D-HUD is a modern and cost-effective targeting solution. It offers the latest advances in optics technology and ballistic computation solution.

## Easy Integration

- Capable of integrating into platform avionics with multiple electronic interfaces
- Electronic integration with Stores Management Systems (SMS)
- Open to further evolution
- Integration with Laser Range Finder (LRF)
- Compatible with most legacy targeting systems fixation patterns

## Ergonomics

- Smallest size available in HUD sighting systems
- Allows pilot operation with Night Vision Goggles (NVG)
- Foldable position

## High-End Technology

- High-end optical technology for targeting accuracy
- Display with software driven digital image source
- No moving or motorized parts in the design
- High reliability and availability
- Durable boresight retention

## Enhanced Accuracy and Situational Awareness

- Dual axis ballistic compensation capability
- Ballistic compensation for multiple range of ammunition and rockets



## Technical Data

Weight	
FN® HUD Projector	3.3 kg (7.28 lb)
FN® HUD Computer	5.5 kg (12.13 lb)
FN® HUD Control Panel	0.6 kg (1.3 lb)
Total weight	<9.5 kg (<20.9 lb)
Display color	Green, 525nm
Vertical FoV	+4° / -10°
Horizontal FoV	± 2.75°
Accuracy	<1 mR
Parallax	<1 mR
Contrast Ratio	1.2:1 against 10000ftL ambient
Automatic Brightness Control	
Power consumption	Max 100W at inrush
Power supply	24-32 VDC
Reliability	10,000h MTBF
Standards	
Electrical	MIL-STD-704
Environmental	MIL-STD-810F, RTCA-DO-160
EMI/EMC	MIL-STD-461E

# deFNder® Medium/Sea deFNder® REMOTE WEAPONS STATIONS **Maximized Force – Minimized Risk.**

AS9100C/EN9100:2009 certified. For U.S. military sales only.

## Primary Features

Accepts all current FN® M249, FN® MK 48, FN® M240B, FN® M3R, and FN® M2HB-QCB machine guns; and future 40mm AGL integration

## Sensors

Based on customer requirements

Color CCD camera for normal light conditions

Fully modular sensor system allows for easy integration of multiple day/night camera and targeting systems

Laser range finder/ballistic computer combination reduces distance-related aiming error

## Mount

Lightweight for easy installation on vehicles and ground-mounted applications

Low silhouette reduces target size and minimizes visual intrusion in sensitive areas

Soft recoil mount increases hit probability, reducing collateral damage

## Control

Operator display console for target identification/engagement

Single control handle for sight selection, aiming, and firing

Built-in test (BIT) system for diagnostics/failure detection

## Available Options

Thermal/Infrared cooled or uncooled camera for low-light/low-visibility conditions

Laser range finder (LRF) and ballistic computer STANAG 4569 Level I or Level II ballistic protection

Stabilized for firing on the move

Interface with slew-to-cue sensors such as Laser Warning Receiver (LWR) and Small Arms Detection and Localization System (SADLS)

Target tracking system

Backup firing mode

Up-capacity ammunition boxes of 500 rounds (.50 caliber linked) and 1,000 rounds (7.62x51mm linked)

Fired case and link collection

Weapon protective cover

Image stabilization

Smoke grenade launchers

Auto-detection





**deFNder® MEDIUM  
WITH FN® M3R**

**deFNder® MEDIUM**

- General Specs: Accepts all current FN® M249 SAW, FN® MK 48 MOD I, FN® M240, FN® M2HB-QCB, and FN® M3R machine guns, and future 40mm AGL integration; modular design offers a wide range of custom options; 18 to 32 Volts Direct Current (VDC) power meeting MIL-STD-1275; qualification standards MIL-STD-810, MIL-STD-461, and MIL-STD-464
- Traverse Speed: 90 degrees per second
- Elevation Speed: 60 degrees per second
- Overall Height: Less than 25," basic configuration
- Overall Weight: Less than 437 lb. including M2 and 300 rounds (.50 caliber)
- Other Info: Nx360 degree traverse; vertical movement range of +70 degrees elevation through -40 degrees depression depending on weapon type; can fire at any elevation angle with an FN® M3R; basic configuration ammunition box capacity 300 rounds

**LEARN MORE >>>**

**Sea deFNder®**

- General Specs: Accepts all current FN® M249 SAW, FN® MK 48 MOD I, FN® M240, FN® M2HB-QCB, and FN® M3R machine guns, and future 40mm AGL integration; modular design offers a wide range of custom options; 18 to 32 Volts Direct Current (VDC) power meeting MIL-STD-1275; qualification standards MIL-STD-810, MIL-STD-461, and MIL-STD-464
- Traverse Speed: 90 degrees per second
- Elevation Speed: 60 degrees per second
- Overall Height: Less than 27," basic configuration
- Overall Weight: Less than 437 lb. including M2 and 300 rounds (.50 caliber)
- Other Info: Nx360 degree traverse; vertical movement range of +70 degrees elevation through -40 degrees depression depending on weapon type; can fire at any elevation angle with an FN® M3R; basic configuration ammunition box capacity 300 rounds



**Sea deFNder®  
with FN® M2HB-QCB**



**deFNder® OPERATOR CONTROL UNIT  
AND CONTROL HANDLE (ONE-HAND OR GAME PAD)**

# deFNder® Light REMOTE WEAPONS STATIONS Maximized Force – Minimized Risk.

AS9100C/EN9100:2009 certified. For U.S. military sales only.

## Primary Features

Accepts all current FN® M249, FN® MK 48, and FN® M240B infantry machine guns

## Sensors

Based on customer requirements

Color CCD camera for normal light conditions

Fully modular sensor system allows for easy integration of multiple day/night camera and targeting systems

Laser range finder/ballistic computer combination reduces distance-related aiming error

## Mount

Lightweight for easy installation on vehicles and ground-mounted applications

Low silhouette reduces target size and minimizes visual intrusion in sensitive areas

Soft recoil mount increases hit probability, reducing collateral damage

Machine gun can be quickly dismounted for infantry use

## Control

Operator display console for target identification/engagement

Single control handle for sight selection, aiming, and firing

Built-in test (BIT) system for diagnostics/failure detection

## Available Options

Thermal/Infrared cooled or uncooled camera for low-light/low-visibility conditions

Laser range finder (LRF) and ballistic computer  
STANAG 4569 Level I ballistic protection

Stabilized for firing on the move

Interface with slew-to-cue sensors such as Laser Warning Receiver (LWR) and Small Arms Detection and Localization System (SADLS)

Target tracking system

Up-capacity ammunition boxes of 600 rounds (7.62x51mm linked) and 1,050 rounds (5.56x45mm linked)

Fired case and link collection

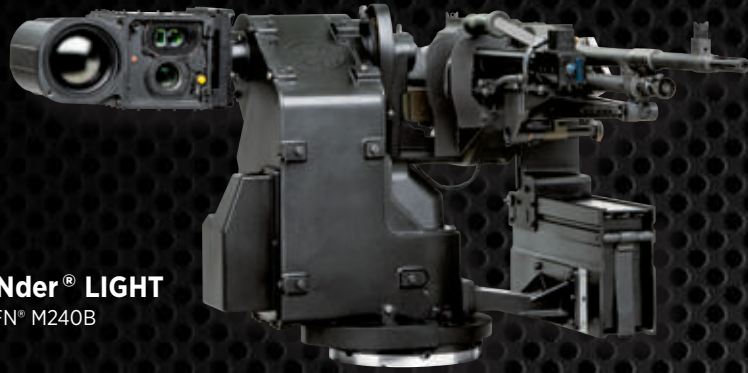
Weapon protective cover

Image stabilization

Auto-detection







**deFnder® LIGHT**  
with FN® M240B



**deFnder® LIGHT**  
at maximum elevation angle  
(+80 degrees)

**deFnder® LIGHT**

- General Specs: Accepts all current FN® M249 SAW, FN® MK 48 MOD 1, and FN® M240B infantry machine guns; modular design offers a wide range of custom options; 18 to 32 Volts Direct Current (VDC) power meeting MIL-STD-1275; qualification standards MIL-STD-810, MIL-STD-461, and MIL-STD-464
- Traverse Speed: 90 degrees per second
- Elevation Speed: 60 degrees per second
- Overall Height: Less than 21"
- Overall Weight: Less than 190 lb. with FN® M240B and 250 rounds of ammunition
- Other Info: Nx360 degree traverse; vertical movement range of +80 degrees elevation through -60 degrees depression; up to 20 degrees vehicle mount deviation from the horizontal plane without influencing weapon performance; basic ammunition box capacity 250 rounds (7.62x51mm linked)

**LEARN MORE >>>**



**deFnder® OPERATOR CONTROL UNIT  
AND CONTROL HANDLE (ONE-HAND OR GAME PAD)**

**deFnder® LIGHT**  
at maximum depression angle  
(-60 degrees)



## **FN® EXPERT** Leading Edge.

For military, law enforcement, and consumer sales.

## **MARKSMANSHIP TRAINING**

### **FN® EXPERT**

FN® Expert provides the latest technology based on years of experience with military users and enables the execution of comprehensive rifle marksmanship training. It helps instructors train marksmanship safely and efficiently while also allowing shooters to become skilled within a short period of time.

FN® Expert System transfers the burden of marksmanship fault identification from the human instructor to the training system. It facilitates the correction of faults and enables marksmanship training everywhere and at any time.

### **Software Strengths**

The result of a shot consists of three key factors: holding, aiming, and triggering. FN® Expert software shows the rifle movement during the aiming and triggering, the score, and the three key factors immediately after the shot in a simple, graphical, and numerical way. The feedback shows the shooters their weak points and helps them correct erroneous habits. This helps shooters at all skill levels quickly improve their shooting skills. The same safe training can be used to enhance the skills of highly experienced shooters.

Wireless communication (non-tethered)

Easier and improved target/range scenarios

Calculations and rendering on optical device

Improved user interface

### **FN® EXPERT**

- Supports shooter grouping and zero
- Develops and sustains muscle memory
- Develops coaching skills in NCO/SNCO Corps
- Supports STX Lane Training
- Uses assigned firearm (not a toy/simulation)
- Supports firearm with all optics and accessories
- Portable, small-form factor
- Can be used with dry-fire, CO<sub>2</sub>, and live-fire

**LEARN MORE >>>**



## FN® SmartCore/FN® SAM Tech Forward.

AS9100C/EN9100:2009 certified. For military sales only.

In addition to conventional firearms, FN has developed FN® e-novation – highly added-value solutions that integrate modern and cutting-edge technology, such as optoelectronics, into small arms. These solutions improve combat capabilities and communications during missions, while also ensuring enhanced logistics and maintenance management.

### FN® SmartCore

An electronic system that measures and records the number of shots (blank and live firing being discriminated) and effective and cyclic rates of fire (FN® M249 only)

Fully automated system with full transparency to the infantrymen

Fully integrated system, with no impact on the balance of the weapon

[LEARN MORE >>>](#)

Measures and records the number of shots, and takes into account rates of fire and firing cycles

Distinguishes between blank firing and live firing

Discriminates between shots and other shocks

Maintenance-free

Short-range, wireless communication that is undetectable and on request only, so there is no unintentional emission

FN® SmartCore for FN® M249 includes battery

FN® SmartCore for FN SCAR® Family is self-powered



**FN® SmartCore FOR  
FN SCAR® FAMILY**

### FN® SAM

The FN Small Arms Management software (FN® SAM) takes into account data recorded and transmitted by the FN® SmartCore to analyze and save data about weapons such as maintenance actions and use. It is fully automated software that reports any replacements or checks required on the major components of the weapon, and provides precise information at any time about a weapon, automatically or on request, in real time or with delay, including base location, whom it is issued to, and its operational condition. The FN® SAM solution is compatible with FN and non-FN weapons.

Using both FN® SmartCore and FN® SAM together allows for reduced operational costs through improved service life of the weapon, enhanced weapon maintenance and logistics management at armorer's level, and optimized weapons fleet management



**FN® SAM SOFTWARE**



## **FN® FCU Mk3 Enhanced Firepower.**

AS9100C/EN9100:2009 certified. For military sales only.

**FN® e-novation**

### **FN® FCU Mk3**

Designed to enhance all 40mm LV and MV grenade launchers, the FN Fire Control Unit (FN® FCU) uses advanced electronics to simplify range finding and elevation corrections for the operator, even under severe combat conditions. The unit is an advanced sight design for use with any 40mm grenade launcher—stand-alone and under-barrel—and portable antitank weapon.

Flashing reticle indicator allows correction for left/right weapon cant

Remotely mounted pressure switch with ruggedized cord connection port

Housing shape allows use of rifle's optical and/or iron sights

Ballistic computer instantly calculates firing solutions and stores up to 50 different types; built-in clinometers sense initial up/down sighting angle; temperature sensor allows a correction in firing solution

FN has over 15 years of experience in the design and manufacture of Fire Control Units

Mk3 has been improved through changes based on electronic modules of the latest generation that combine better performance with reduced size and feedback from user experience with the earlier models

Mk3 includes significant modifications to all its modules: laser range finder, ballistic computer, and electronic sight

### **FN® FCU Mk3**

- Undetectable and eye-safe laser range finder effective: 1,000m effective range (1.5 x 1.5m target, 5km visibility, 28% target reflection)
- Only one battery (CR123)
- Quick release attachment compatible with MIL-STD-1913 rail
- IR laser pointer Class 1/3B
- IR laser safety feature with a dedicated switch or by using a high-visibility blue training cable

**LEARN MORE >>>**



# WE ARE UNDEFEATED.

**No matter what is demanded of our tactical firearms, FN will always deliver.**

When the moment demands it, FN's suite of tactical firearms provides what every professional requires. Designed for the close-in, to-the-perimeter defense, the FN SCAR® offers the perfect variants that can be customized to the challenge. Want overwhelming close-quarters firepower? Reach for the radically advanced FN P90®. It's compact, spits out the innovative FN 5.7x28mm round, and exists to win every encounter. Consider too the 40mm Low-Velocity FN40GL®. Employ it stand-alone, or integrate it with the FN SCAR® systems. Add the 5.56x45mm FN 15® Series to your armory. The new family of FN 15® carbines, specifically developed with law enforcement officers' needs in mind, offer compact builds and shorter barrel lengths that enable faster target engagement and maneuverability in close-quarters scenarios. Choose FN, because there are no compromises to be made in a tactical theater.





## **FN 15® UPPER ASSEMBLIES Engineered for Critical Missions.**

AS9100C/EN9100:2009 certified. For consumer and law enforcement sales.

### **FN 15® 10.5" SBR Upper Assembly, A2 Front Sight**

10.5" barrel, chamber 5.56x45mm, right-hand 1:7 twist, carbine gas system, alloy-steel button-rifling with phosphate finish

A2 front sight post, riveted front sling swivel, with delta ring and handguard cap

Two-piece single heatshield, oval handguard

M16/Auto bolt carrier, hard chrome-lined, magnetic-particle inspected with gas key-staked A2 compensator

### **FN 15® 11.5" SBR Upper Assembly, A2 Front Sight**

11.5" barrel, chamber 5.56x45mm, right-hand 1:7 twist, carbine gas system, alloy-steel button-rifling with phosphate finish

A2 front sight post, riveted front sling swivel, with delta ring and handguard cap

Two-piece single heatshield, oval handguard

M16/Auto bolt carrier, hard chrome-lined, magnetic-particle inspected with gas key-staked A2 compensator

### **FN 15® 11.5" SBR Tactical Upper Assembly, Flat-Top**

11.5" barrel, chamber 5.56x45mm, right-hand 1:7 twist, carbine gas system, alloy-steel button-rifling with phosphate finish

Low-profile gas block

Midwest Industries rail system with M-LOK® technology

M16/Auto bolt carrier, hard chrome-lined, magnetic-particle inspected with gas key-staked A2 compensator

### **FN 15® 14.5" SBR Tactical Upper Assembly, Flat-Top**

14.5" barrel, chamber 5.56x45mm, right-hand 1:7 twist, carbine gas system, alloy-steel button-rifling with phosphate finish

Low-profile gas block

Midwest Industries rail system with M-LOK® technology

M16/Auto bolt carrier, hard chrome-lined, magnetic-particle inspected with gas key-staked A2 compensator

### **FN 15® 14.5" SBR Upper Assembly, A2 Front Sight**

14.5" barrel, chamber 5.56x45mm, right-hand 1:7 twist, carbine gas system, alloy-steel button-rifling with phosphate finish

A2 front sight post, riveted front sling swivel, with delta ring and handguard cap

Two-piece single heatshield, oval handguard

M16/Auto bolt carrier, hard chrome-lined, magnetic-particle inspected with gas key-staked A2 compensator



**FULL FN® 15 UPPER ASSEMBLIES SPECS: RIFLE ACCESSORIES 117-120**



## FN 15® PATROL SBR/CARBINE Engineered for Critical Missions.

For consumer and law enforcement sales.

## LAW ENFORCEMENT CARBINES

### FN 15® Patrol SBR 10.5"

10.5" button-broached,  
chrome-lined barrel

Carbine-length gas system

Round handguard with heatshield

A2-style front sight (F height)

Removable carry handle with  
integrated sight



### FN 15® PATROL SBR 10.5"

Caliber: 5.56x45mm  
Magazine: 30 Rd.

- Barrel Length: 10.5"  
(14.5" barrel option also available)
- Overall Length: 30.0"  
(extended); 26.5" (collapsed)
- Weight: 5.92 lb. (empty)

[LEARN MORE >>>](#)

### FN 15® Patrol SBR 14.5"

14.5" alloy-steel, button-broached,  
chrome-lined barrel

Mid-length gas system

Lightweight M-LOK® 12" rail



### FN 15® PATROL SBR 14.5"

Caliber: 5.56x45mm  
Magazine: 30 Rd.

- Barrel Length: 14.5"
- Overall Length: 34"  
(extended); 30.75" (collapsed)
- Weight: 6.0 lb. (empty)

[LEARN MORE >>>](#)

### FN 15® Patrol Carbine

Alloy-steel, button-broached,  
chrome-lined barrel

Midwest Industries drop-in 7" quad  
rail/forearm



### FN 15® PATROL CARBINE

Caliber: 5.56x45mm  
Magazine: 30 Rd.

- Barrel Length: 16"
- Overall Length: 35.2"  
(extended); 31.9" (collapsed)
- Weight: 6.0 lb. (empty)

[LEARN MORE >>>](#)

FULL FN 15 PATROL SBR / CARBINE SPECS: PAGE 132 – RIFLE ACCESSORIES 119-122



## FN P90® SERIES Next Generation in Firepower.

AS9100C/EN9100:2009 certified. For law enforcement and military sales only.

## LAW ENFORCEMENT CARBINES

### Primary Features

Closed-bolt blowback operation  
Compact bullpup design  
Select fire

### Receiver

Bottom ejection port with dust cover

### Barrel

Cold hammer-forged, chrome-lined barrel  
Integrated flash suppressor with interface for sound suppressor  
Matte black phosphate finish

### Stock

Matte black synthetic thumbhole design with forward handstop  
Front-mounted laser targeting module on LV, TR LV, and USG IR models  
Molded-in rear sling attachment point

### Operating Controls

Ambidextrous cocking knobs and magazine release latches  
Sliding trigger  
Ambidextrous safety/selector switch inside trigger guard

### Magazine

Top-mounted detachable  
Translucent polymer body  
Unique and innovative design allows for compact system when loaded

### FN P90® TACTICAL

**Caliber: 5.7x28mm**  
**Magazine: 30/50 Rd.**

- Barrel Length: 10.39"
- Sights: MIL-STD-1913 accessory rail; peep sight
- Overall Length: 19.88"

### FN P90® LV

**Caliber: 5.7x28mm**  
**Magazine: 30/50 Rd.**

- Barrel Length: 10.39"
- Sights: Non-magnifying optical; front-mounted visible laser; peep sight
- Overall Length: 19.88"

### FN P90® USG

**Caliber: 5.7x28mm**  
**Magazine: 30/50 Rd.**

- Barrel Length: 10.39"
- Sights: Non-magnifying optical; 2 MIL-STD-1913 accessory rails; peep sight
- Overall Length: 19.88"

[LEARN MORE >>>](#)



## **FN SCAR®-SC Built for Ultimate Mobility and Flexibility.**

For law enforcement and military sales only.

### **Primary Features**

Subcompact model derived from the FN SCAR® rifle designed for the U.S. special forces, specifically adapted for security missions

Rotating, locking bolt

Selective fire, 550 to 650 rounds per minute (RPM) cyclic rate of fire

Non-reciprocating charging handle

Composite polymer trigger module

### **Receiver**

Hard-anodized monolithic aluminum

MIL-STD-1913 accessory rails at 3, 6, 9, and 12 o'clock positions

### **Barrel**

7.5-inch cold hammer-forged, chrome-lined, free-floating barrel with compensator

FN SCAR-SC flash hider

### **Stock**

Telescopic buttstock

Polymer pistol grip

### **Operating Controls**

Ambidextrous safety lever and magazine release

Charging handle may be mounted on right or left side

Enlarged trigger guard for easier access when wearing gloves

Adjustable gas regulator for use with sound suppressor to maintain constant rate of fire

### **Magazine**

Steel magazine body

Low-friction follower



### **FN SCAR®-SC**

**Caliber: 5.56x45mm NATO**

- Operation: Short-stroke gas piston
- Mag Capacity: 30 Rd.
- Weight: 6.9 lb.
- Barrel Length: 7.5"
- Overall Length: 25.7" (extended); 21.1" (collapsed)

**LEARN MORE >>>**

**FULL FN SCAR®-SC SPECS: PAGE 131**

## FN SCAR® 16/FN SCAR® 17 Modular, Accurate, and Adaptable.

AS9100C/EN9100:2009 certified. For law enforcement sales only.

## LAW ENFORCEMENT

### Primary Features

Rotating, locking bolt; select fire  
Composite polymer trigger module  
Short-stroke gas piston

### Receiver

Hard-anodized monolithic aluminum receiver  
MIL-STD-1913 accessory rails at 3, 6, 9,  
and 12 o'clock positions  
Adjustable folding front and folding/  
removable rear backup iron sights

### Barrel

Cold hammer-forged, chrome-lined,  
free-floating barrel  
Standard or Close Quarters Combat  
(CQC) options

### Stock

Adjustable for six-position length of pull  
Adjustable for two-position cheekpiece height  
Side-folding for aircraft and vehicle  
deployments; can still be fired from  
the folded position

### Operating Controls

Ambidextrous selector lever and  
magazine release  
Charging handle may be mounted  
on right or left side  
M203-type unlocking catch  
Adjustable gas regulator for use  
with sound suppressor to  
maintain constant rate of fire

### Magazine

Steel body; low-friction follower  
Extended base pad for improved  
ergonomics (FN SCAR® 17)



### FN SCAR® 16 STANDARD

Caliber: 5.56x45mm  
Magazine: 30 Rd.

- Cyclic Rate of Fire: 625 RPM
- Effective Range: 600m point target
- Barrel Length: 14.0"
- Overall Length: 35.0" (extended);  
32.5" (collapsed); 25.0" (folded)
- Black or Flat Dark Earth

[LEARN MORE >>>](#)

### FN SCAR® 17 STANDARD

Caliber: 7.62x51mm  
Magazine: 20 Rd.

- Cyclic Rate of Fire: 600 RPM
- Effective Range: 700m point target
- Barrel Length: 16.0"
- Overall Length: 38.0" (extended);  
35.5" (collapsed); 28.0" (folded)
- Black or Flat Dark Earth

[LEARN MORE >>>](#)

### FN SCAR® 16 CQC

Caliber: 5.56x45mm  
Magazine: 30 Rd.

- Cyclic Rate of Fire: 625 RPM
- Effective Range: 400m point target
- Barrel Length: 10.0"
- Overall Length: 31.0" (extended);  
28.5" (collapsed); 21.0" (folded)
- Black or Flat Dark Earth

[LEARN MORE >>>](#)

### FN SCAR® 17 CQC

Caliber: 7.62x51mm  
Magazine: 20 Rd.

- Cyclic Rate of Fire: 625 RPM
- Effective Range: 500m point target
- Barrel Length: 13.0"
- Overall Length: 35.0" (extended);  
32.5" (collapsed); 25.0" (folded)
- Black or Flat Dark Earth

[LEARN MORE >>>](#)

FULL FN SCAR® 16/FN SCAR® 17 SPECS: PAGE 131 – RIFLE ACCESSORIES 119-122

## **FN40GL® Powerful and Ready for Any Mission.**

AS9100C/EN9100:2009 certified. For law enforcement sales only.

### **Primary Features**

Single-shot; manual action  
Rotating, locking breech system  
Composite polymer trigger module

### **Receiver**

Automatic ejector for rapid ejection of fired case  
Molded stippling for enhanced grip

### **Barrel**

Barrel swivels both right and left for ease of loading from any firing position and allows use of extended-length ammunition

### **Stock**

MIL-STD-1913 accessory rails at 3, 6, 9, and 12 o'clock positions  
Telescoping design of stand-alone stock adapts to fit a variety of operator body sizes, body armor, and load-bearing equipment

### **Operating Controls**

Fully ambidextrous  
Crossbolt safety for fast and easy operator access  
Enlarged trigger guard for easier access when wearing gloves

Double-action trigger offers multiple-strike capability to eliminate requirement to open and recock action; allows firing of ammunition with less sensitive or aged primers

### **Mounting**

Optimized ergonomic trigger location when mounted using trigger adapters to either the FN SCAR® 16 or FN SCAR® 17  
Dual locking clamp levers provide secure mounting to FN SCAR® 16 or FN SCAR® 17 rifles or to a stand-alone stock assembly  
Adds no length when mounted on FN SCAR® 16 or FN SCAR® 17



**FN40GL®**  
**Caliber: 40mm**  
**Low-Velocity**

- Effective Range: 100m point target (low-velocity grenades); 300m area target (low-velocity grenades); 625m area target future capability (medium-velocity grenades)
- Barrel Length: 9.6"
- Trigger: Double-action trigger capable of multiple strikes
- Sights: Leaf sight, mechanical quadrant sight, or fire control unit (FN® FCU™)
- Overall Length: 26.5" (extended); 20.5" (collapsed)
- Stock Color: Black or Flat Dark Earth

[LEARN MORE >>>](#)

**FULL FN 40GL® SPECS: PAGE 133**

# FN 303® LAUNCHER AND FN 509® TRAINING/SIMUNITION Measured Responses.

LAW ENFORCEMENT ONLY

For law enforcement and military sales only.

## Primary Features

- Effective range from 1 up to 50 meters
- 15-round capacity
- Shoulder-fired
- Extremely accurate
- Highly reliable and safe
- Safe to use at very close range
- No recoil, no noise, no flash, no heat, no propellant
- Able to rapidly re-engage targets

## Warning: Use with Extreme Caution

*Not intended for recreational use. Misuse may result in injury or death. Avoid aiming at the face or head. Read operator's manual before use. Certified instruction is required before use. All operators of the FN 303® must be certified by the FN America Training Team prior to deploying the system. Call FN at 703.288.3500 for more information.*



## FN 303®

Magazine: 15 Rd.

Projectiles: .68 Caliber

- Lower Frame: Black polymer
- Upper Frame: Black aluminum
- Sights: Flip-up iron

[LEARN MORE >>>](#)

## PROJECTILES



### CLEAR

Caliber: .68

Product #: 48048554

- Payload ID Color: Clear
- Weight: 8.5 grams
- Package Qty: 150



### WASHABLE

Caliber: .68

Product #: 48048555

- Payload ID Color: Pink
- Weight: 8.5 grams
- Package Qty: 150



### INDELIBLE

Caliber: .68

Product #: 48048552

- Payload ID Color: Yellow
- Weight: 8.5 grams
- Package Qty: 150



### PAVA POWDER

Caliber: .68

Product #: 48048600

- Payload ID Color: Orange
- Weight: 8.5 grams
- Package Qty: 150



### INERT POWDER

Caliber: .68

Product #: 48048610

- Payload ID Color: White
- Weight: 8.5 grams
- Package Qty: 150

[LEARN MORE >>>](#)



## FN 509® TRAINING PISTOL

[LEARN MORE >>>](#)



## FN 509® SIMUNITION PISTOL

[LEARN MORE >>>](#)

FULL FN 303® LAUNCHER SPECS: PAGE 132 – LESS LETHAL ACCESSORIES 124

TO LEARN MORE ABOUT THESE PISTOLS, PLEASE VISIT [WWW.FNAMERICA.COM/LAW-ENFORCEMENT](http://WWW.FNAMERICA.COM/LAW-ENFORCEMENT).

# FN 5.7x28mm AMMUNITION

## The New Benchmark in Ammo Performance

ISO 9001 Quality

Fully compatible with a wide variety of FN firearms, including the FN Five-seven® pistols, FN PS90® carbines and FN P90® submachine guns, the 5.7x28mm cartridge has been specially tailored to excel in several specialized roles. The SS195 LF and SS198 LF rounds use an innovative, lightweight, brass-jacketed, aluminum core hollow point bullet. The SS197SR, distributed in the U.S. by Federal Cartridge Company, is ideally suited for sports and training applications.

FN also offers 5.7x28mm restricted ammunition (duty, tracer, subsonic) for law enforcement and military sales only. The SS190 duty round has been designed to minimize the risk of over-penetration. The L191 tracer and SB193 subsonic rounds, as well as blank rounds for training and simulations are also available from FN. All restricted ammunition is only released and shipped from a U.S. Customs-Controlled Bonded Warehouse (CBW) upon BATFE and U.S. Customs approval.

[LEARN MORE >>>](#)

### CROSS-SECTION OF THE UNRESTRICTED LEAD-FREE 5.7x28mm CARTRIDGES



#### SS195LF

Prod #: 10700012

Type: 27 gr. Lead-Free Hollow Point

Intended Purpose:

Consumer/Target/Sporting

Case Qty: 2,000

U.S. Distribution: FN America

Availability: Unrestricted

#### SS198LF

Prod #: 10700021

Type: 27 gr. Lead-Free Training

Intended Purpose:

Law Enforcement/Military

Case Qty: 2,000

U.S. Distribution: FN America

Availability: LE Restricted

The hollow point jackets contain a lead-free metal core. The primer compound is also lead-free, making either round ideal for any location where lead contamination is to be avoided.





### **SS197SR**

Prod #: 10700016

Type: 40 gr. Polymer-Tipped Sporting

Intended Purpose:  
Consumer/Target/Sporting

Case Qty: 2,000

U.S. Distribution:  
Federal Premium® Ammunition

Availability: Unrestricted



### **BLANK**

Prod #: 10700004

Type: Blank

Intended Purpose:  
Training/Simulation

Case Qty: 500

U.S. Distribution: FN America

Availability: Unrestricted



### **DUMMY**

Prod #: 10700005

Type: Training

Intended Purpose:  
Inert Training Round

Case Qty: 50

U.S. Distribution: FN America

Availability: Unrestricted



### **SS190**

Prod #: 10700000

Type: 31 gr. FMJ Duty Round

Intended Purpose:  
Law Enforcement/Military

Case Qty: 500

U.S. Distribution: FN America

Availability: Govt. Restricted



### **L191**

Prod #: 10700001

Type: 31 gr. FMJ Tracer

Intended Purpose:  
Law Enforcement/Military

Case Qty: 500

U.S. Distribution: FN America

Availability: Govt. Restricted



### **SB193**

Prod #: 10700003

Type: 62 gr. FMJ Subsonic

Intended Purpose:  
Law Enforcement/Military

Case Qty: 500

U.S. Distribution: FN America

Availability: Govt. Restricted

# ACCESSORIES

**FN 15®  
CARBINE  
UPPER  
ASSEMBLY**



**FN 15®  
RIFLE  
UPPER  
ASSEMBLY**



**FN 15®  
DMR II  
UPPER  
ASSEMBLY**



**FN 15®  
TACTICAL II  
UPPER  
ASSEMBLY**



**FN 15®  
TACTICAL  
CARBINE .300  
BLK II  
UPPER  
ASSEMBLY**



**FN SCAR®  
16S 10"  
BARREL  
ASSEMBLY**



**FN SCAR®  
17S 20"  
BARREL  
ASSEMBLY**



**FN SOFT  
CASES**



**FN M249S®  
ACCESSORIES**



**FN 509®/FN SCAR®17  
MAGAZINES**



**GEAR UP AT  
[fnestore.com](http://fnestore.com)**



# AMMUNITION

PRODUCT NUMBER	PRODUCT	UPC	MSRP
<b>10700005</b>	FN Dummy Ammo 5.7x28 50-Round	818513002875	\$89.00
<b>10700012</b>	FN SS195LF 5.7x28 2000-Round Case	818513002936	\$1205.00

# PISTOL ACCESSORIES

PRODUCT NUMBER	PRODUCT	UPC	MSRP
<b>20-100032-1</b>	FN 509 <sup>®</sup> , 9mm Mag 17RD BK	845737007768	\$49.00
<b>20-100032-2</b>	FN 509 <sup>®</sup> , 9mm Mag 10RD BK	845737007775	\$49.00
<b>20-100032-3</b>	FN 509 <sup>®</sup> 9mm Mag 24rnd	845737009793	\$60.00
<b>20-100346-1</b>	FN 509 <sup>®</sup> , 9mm Mag 17RD FDE	845737010089	\$49.00
<b>20-100346-2</b>	FN 509 <sup>®</sup> , 9mm Mag 10RD FDE	845737010096	\$49.00
<b>20-100348</b>	FN 509 <sup>®</sup> M 9MM Mag 15RD BK	845737010126	\$49.00
<b>20-100349</b>	FN 509 <sup>®</sup> M 9MM Mag 10RD BK	845737010386	\$49.00
<b>20-100375 †</b>	FN 509 <sup>®</sup> C 9MM MAG 12RD BLK EXT FLOORPLATE	845737010331	\$49.00
<b>20-100376 †</b>	FN 509 <sup>®</sup> C 9MM MAG 12RD FDE EXT FLOORPLATE	845737010348	\$49.00
<b>20-100377 †</b>	FN 509 <sup>®</sup> C 9MM MAG 10RD BLK EXT FLOORPLATE	845737010355	\$49.00
<b>20-100378 †</b>	FN 509 <sup>®</sup> C 9MM MAG 10RD FDE EXT FLOORPLATE	845737010362	\$49.00
<b>20-100379 †</b>	FN 509 <sup>®</sup> C 9MM MAG 15RD BLK	845737010393	\$49.00
<b>20-100380 †</b>	FN 509 <sup>®</sup> C 9MM MAG 15RD FDE	845737010409	\$49.00
<b>20-100381 †</b>	FN 509 <sup>®</sup> C BACKSTRAP SET BLK	845737010416	\$49.00
<b>20-100382 †</b>	FN 509 <sup>®</sup> C BACKSTRAP SET FDE	845737010423	\$49.00
<b>20-100383 †</b>	FN 509 <sup>®</sup> C 9MM MAG SLEEVE 24RD BLK	845737010430	\$49.00
<b>20-100065</b>	Grip Extension Base Pad FDE	845737008529	\$6.99
<b>20-100066</b>	Magazine Sleeve FDE	845737008130	\$9.99
<b>20-100355</b>	FN 509 <sup>®</sup> M 9MM Mag 17RD BK Sleeve BK	845737010164	\$9.99
<b>20-100356</b>	FN 509 <sup>®</sup> M 9MM Mag 24RD Sleeve BK	845737010171	\$9.99
<b>20-100067</b>	Magazine Base Pad Flat FDE	845737008147	\$6.99
<b>20-100062</b>	FNS-9C Mag 12Rd FDE Flat	845737008413	\$49.00

# PISTOL ACCESSORIES

PRODUCT NUMBER	PRODUCT	UPC	MSRP
<b>20-100063</b>	FNS™-9C Mag 10rd FDE Flat	845737008444	\$49.00
<b>20-100064</b>	FNS™-9 MAG 17rd FDE	845737008482	\$49.00
<b>66330-2</b>	FNS™-9 Magazine 17-Rnd Blk	845737001162	\$49.00
<b>66330-4</b>	FNS™-9 Magazine 10-Rnd Blk	845737001179	\$49.00
<b>47695-2</b>	FNS™-40 / FNX™-40 Magazine 14-Rnd Blk	845737000349	\$49.00
<b>47695-4</b>	FNS™-40 / FNX™-40 Magazine 10-Rnd Blk	845737002527	\$49.00
<b>66478-20</b>	FNS™-9C Magazine 12-Rnd Blk	845737006051	\$49.00
<b>66478-21</b>	FNS™-9C Magazine 10-Rnd Blk	845737006044	\$49.00
<b>66478-22</b>	FNS™-40C Magazine 10-Rnd Blk	845737006068	\$49.00
<b>67198</b>	FNS™ Magazine Sleeve	845737006075	\$9.99
<b>67199</b>	FNS™ Compact Grip Extension Base Pad	845737006082	\$6.99
<b>47694-2</b>	FNX™-9 Magazine 17-Rnd Blk	845737000356	\$49.00
<b>47694-4</b>	FNX™-9 Magazine 10-Rnd Blk	845737002510	\$49.00
<b>66322-5</b>	FNX™-45 Magazine 15-Rnd Blk	845737002541	\$50.00
<b>66322-1</b>	FNX™-45 Magazine 10-Rnd Blk	845737002558	\$50.00
<b>66322-6</b>	FNX™-45 Magazine 15-Rnd FDE	845737002534	\$50.00
<b>66322-2</b>	FNX™-45 Magazine 10-Rnd FDE	845737002565	\$50.00
<b>3866100030</b>	Five-seveN® Magazine 20-Rnd	818513003018	\$40.00
<b>3866100320</b>	Five-seveN® Magazine 10-Rnd	818513002523	\$40.00
<b>47103</b>	FNP™-9 Magazine 16-Rnd	818513000062	\$43.00
<b>47104</b>	FNP™-9 Magazine 10-Rnd	818513000055	\$43.00
<b>47305</b>	FNP™-40 Magazine 14-Rnd	818513003216	\$43.00
<b>47306</b>	FNP™-40 Magazine 10-Rnd	818513003353	\$43.00
<b>47456-2</b>	FNP™-45 Magazine 15-Rnd Blk	818513006675	\$50.00
<b>47526-2</b>	FNP™-45 Magazine 10-Rnd Blk	818513006651	\$50.00
<b>47456-1</b>	FNP™-45 Magazine 15-Rnd FDE	845737000431	\$50.00
<b>47008</b>	FNP™-9M Magazine 15-Rnd	818513003346	\$43.00
<b>47009</b>	FNP™-9M Magazine 10-Rnd	818513003339	\$43.00
<b>20-100399</b>	FN 509® AIMPOINT® ACRO MRD Kit	845737010980	\$24.99
<b>67170-5</b>	FN 509® Night Sight Set	845737008390	\$139.00
<b>20-100291-1</b>	FN 509® Suppressor Height Sights, No Dot	845737009854	\$59.00
<b>20-100291-3</b>	FN 509® Suppressors Height Sights, Night Sights	845737009175	\$149.00

# PISTOL ACCESSORIES

PRODUCT NUMBER	PRODUCT	UPC	MSRP
<b>67170-1</b>	FNS™/FNX™-9 Night Sight Set	845737004927	\$139.00
<b>67170-2</b>	FNS™/FNX™-40 Night Sight Set	845737004934	\$139.00
<b>67170-3</b>	FNX™-45 Std Night Sight Set	845737004941	\$139.00
<b>67170-4</b>	FNX™-45 Tact Night Sight Set	845737004958	\$159.00
<b>67205-1</b>	FNS™-9 Slide Assy Bk	845737005665	\$349.00
<b>67205-2</b>	FNS™-9 Slide Assy SS	845737005672	\$349.00
<b>67205-3</b>	FNS™-40 Slide Assy Bk	845737005689	\$349.00
<b>67205-4</b>	FNS™-40 Slide Assy SS	845737005696	\$349.00
<b>67205-5</b>	FNS™-9L Slide Assy Bk	845737005702	\$409.00
<b>67205-6</b>	FNS™-9L Slide Assy SS	845737005719	\$409.00
<b>67205-7</b>	FNS™-40L Slide Assy Bk	845737005726	\$409.00
<b>67205-8</b>	FNS™-40L Slide Assy SS	845737005740	\$409.00
<b>67205-9</b>	FNX™-9 Slide Assy Bk	845737005757	\$385.00
<b>67205-10</b>	FNX™-9 Slide Assy SS	845737005764	\$385.00
<b>67205-11</b>	FNX™-40 Slide Assy Bk	845737005771	\$385.00
<b>67205-12</b>	FNX™-40 Slide Assy SS	845737005801	\$385.00
<b>67205-13</b>	FNX™-45 Slide Assy Bk	845737005818	\$469.00
<b>67205-14</b>	FNX™-45 Slide Assy SS	845737005825	\$469.00
<b>67205-15</b>	FNX™-45T Slide Assy Bk	845737005832	\$729.00
<b>67205-16</b>	FNX™-45T Slide Assy FDE	845737005849	\$729.00
<b>67206-1</b>	FNS™/FNX™-9 Barrel Bk 4"	845737005894	\$129.00
<b>67206-2</b>	FNS™/FNX™-9 Barrel SS 4"	845737005900	\$129.00
<b>67206-3</b>	FNS™/FNX™-40 Barrel Bk 4"	845737005931	\$129.00
<b>67206-4</b>	FNS™/FNX™-40 Barrel SS 4"	845737005948	\$129.00
<b>67206-5</b>	FNS™-9L Barrel Bk 5"	845737005870	\$165.00
<b>67206-6</b>	FNS™-9L Barrel SS 5"	845737005887	\$165.00
<b>67206-7</b>	FNS™-40L Barrel Bk 5"	845737005917	\$165.00
<b>67206-8</b>	FNS™-40L Barrel SS 5"	845737005924	\$165.00
<b>67206-9</b>	FNX™-45 Std Barrel Bk	845737005955	\$179.00
<b>67206-11</b>	FNX™-45T Barrel Bk w/ TP	845737005856	\$235.00
<b>67207-1</b>	FNX™-45T Thread Protector	845737005863	\$19.00
<b>20-100290</b>	FN 509® Thread Protector	845737009212	\$19.00

## PISTOL ACCESSORIES

PRODUCT NUMBER	PRODUCT	UPC	MSRP
<b>66263</b>	Tactical Pistol Case - Black	845737005283	\$59.00
<b>66146</b>	Tactical Pistol Case - FDE	845737005276	\$59.00
<b>20-100035-2</b>	Soft Case, Tan	845737008024	\$19.99
<b>20-100035-1</b>	Soft Case,Blk	845737008017	\$19.99
<b>20-100035-3</b>	Soft Case, Gry	845737008031	\$19.99
<b>3819999997</b>	Otis Cleaning Kit 5.7x28MM	818513003230	\$99.00
<b>20-100055</b>	Small Backstrap, FN 509°, Black	845737008437	\$13.99
<b>20-100056</b>	Medium Backstrap, FN 509°, Black	845737008543	\$13.99
<b>20-100057</b>	Large Backstrap, FN 509°, Black	845737008574	\$13.99
<b>20-100058</b>	FN 509° Backstrap Set, Black	845737008383	\$29.99
<b>20-100381 †</b>	FN 509° C BACKSTRAP SET BLK	845737010416	\$29.99
<b>20-100382 †</b>	FN 509° C BACKSTRAP SET FDE	845737010423	\$29.99
<b>20-100353 †</b>	FN 509° M Backstrap Set BK	845737010140	\$29.99

## RIFLE ACCESSORIES

PRODUCT NUMBER	PRODUCT	UPC	MSRP
<b>3703013381</b>	Ballista® Magazine 338 8-rnd	845737003104	\$155.00
<b>3703013382</b>	Ballista® Magazine 338 5-rnd	845737003098	\$155.00
<b>3703013081</b>	Ballista® Magazine 308 15-rnd	845737003142	\$155.00
<b>3703013082</b>	Ballista® Magazine 308 8-rnd	845737003135	\$155.00
<b>3703013001</b>	Ballista® Magazine 300 10-rnd	845737003128	\$155.00
<b>3703013002</b>	Ballista® Magazine 300 6-rnd	845737003111	\$155.00
<b>3703033102</b>	Ballista® Accessory Rail 2-in w/ QD Sling Swivel Stud	845737003203	\$233.00
<b>3703033002</b>	Ballista® Accessory Rail 2-in	845737003159	\$155.00
<b>3703033004</b>	Ballista® Accessory Rail 4-in	845737003166	\$219.00
<b>3703033006</b>	Ballista® Accessory Rail 6-in	845737003173	\$265.00

# RIFLE ACCESSORIES

PRODUCT NUMBER	PRODUCT	UPC	MSRP
<b>3703033008</b>	Ballista® Accessory Rail 8"	845737003180	\$280.00
<b>3703033010</b>	Ballista® Accessory Rail 10"	845737003197	\$296.00
<b>3703032001</b>	Ballista® Quick Detach Forearm	845737004675	\$539.00
<b>3703036001</b>	Ballista® QD Mount Blk 30mm	845737003524	\$499.00
<b>3703036002</b>	Ballista® QD Mount FDE 30mm	845737003531	\$499.00
<b>3703036003</b>	Ballista® QD Mount Blk 34mm	845737003548	\$549.00
<b>3703036004</b>	Ballista® QD Mount FDE 34mm	845737003555	\$549.00
<b>3703023000</b>	Ballista® Caliber Conversion Kit 300 WM 26" 10 Twist Polygonal	845737005214	\$2,779.00
<b>3703023080</b>	Ballista® Caliber Conversion Kit 308 Win 24" 11 Twist Polygonal	845737005207	\$2,779.00
<b>3703031001</b>	Ballista® Buttstock Grip Extension	845737003081	\$309.00
<b>3703031002</b>	Ballista® Quick Detach Monopod	845737004002	\$699.00
<b>3703036000</b>	Ballista® Operator's Tool Kit	845737005641	\$299.00
<b>62614-01</b>	SPR / TSR Detachable Box Magazine (DBM) 308 4-Rnd	818513002622	\$52.00
<b>62635-01</b>	SPR Tactical Box Magazine (TBM) 308 5-Rnd (TBM Equipped Only)	845737000417	\$54.00
<b>62635-02</b>	SPR Tactical Box Magazine (TBM) 308 10-Rnd (TBM Equipped Only)	845737000424	\$60.00
<b>3108929210</b>	FNAR 308 Magazine 20-Rnd	818513006125	\$66.00
<b>3108929200</b>	FNAR 308 Magazine 10-Rnd	818513006132	\$66.00
<b>3108929300</b>	FNAR 308 Magazine 5-Rnd	818513009454	\$66.00
<b>381010093 ‡</b>	PS90®/P90® Magazine 50-Rnd	818513001656	\$49.00
<b>3816101050 ‡</b>	PS90®/P90® Magazine 30-Rnd	818513003582	\$49.00
<b>3816101040 ‡</b>	PS90®/P90® Magazine 10-Rnd	818513003667	\$49.00
<b>98882</b>	SCAR® 16S / FS2000 30-Rnd Magazine Blk	845737000554	\$32.00
<b>98880</b>	SCAR® 16S 30-Rnd Magazine FDE	818513009560	\$32.00
<b>98890 ‡</b>	SCAR® 17S 20-Rnd Magazine FDE	845737000028	\$59.00
<b>98892 ‡</b>	SCAR® 17S 20-Rnd Magazine Blk	845737000035	\$59.00
<b>98889 ‡</b>	SCAR® 17S 10-Rnd Magazine FDE	845737003777	\$59.00
<b>98891 ‡</b>	SCAR® 17S 10-Rnd Magazine Blk	845737002930	\$59.00
<b>3486010020</b>	SCAR® 16S 10-Rnd 5.56x45mm Magazine Blk Steel	818513004992	\$41.00
<b>3058490010</b>	PS90®/P90® Sight Adjustment Tool	818513002141	\$52.00
<b>50002</b>	FN Universal Tactical Sling 3pt Blk w/out Reducer	818513001748	\$88.00



# RIFLE ACCESSORIES

PRODUCT NUMBER	PRODUCT	UPC	MSRP
<b>98824</b>	FN Tactical Sling FDE	818513008938	\$26.00
<b>98802</b>	SCAR® 16S 10" Barrel Assembly	845737001087	\$1,299.00
<b>98804</b>	SCAR® 16S 14" Barrel Assembly	845737001094	\$1,299.00
<b>98808</b>	SCAR® 16S 18" Barrel Assembly	845737001117	\$1,499.00
<b>98814</b>	SCAR® 17S 13" Barrel Assembly	845737002657	\$1,499.00
<b>98818</b>	SCAR® 17S 20" Barrel Assembly	845737002671	\$1,499.00
<b>36420</b>	AR-15 HF Barrel 14.5" Carbine	845737005115	\$349.00
<b>36421</b>	AR-15 HF Barrel 16" Carbine	845737005122	\$349.00
<b>36422</b>	AR-15 HF Barrel 16" Mid-length	845737005139	\$349.00
<b>36423</b>	AR-15 HF Barrel 18" Rifle	845737005146	\$379.00
<b>36424</b>	AR-15 HF Barrel 20" Rifle	845737005153	\$379.00
<b>20-100037</b>	AR15 Barrel 10.5" BB M16 5.56 Carbine	845737008406	\$259.00
<b>20-100038</b>	AR15 Barrel 14.7" BB M16 5.56 Mid-length	845737008451	\$259.00
<b>20-100039</b>	AR15 Barrel, 16" BB M16 5.56 Carbine	845737008505	\$259.00
<b>20-100041</b>	AR15 Barrel, 16" BB M16 5.56 Mid-length	845737008475	\$259.00
<b>20-100042</b>	AR15 Barrel, 18" BB M16 5.56 RIFLE	845737008468	\$259.00
<b>20-100043</b>	AR15 Barrel, 20" BB M16 5.56 RIFLE	845737008550	\$259.00
<b>20-100044</b>	AR15 Barrel, 14.7" BB M4 5.56 Carbine	845737008567	\$259.00
<b>20-100045</b>	AR15 Barrel, 14.7" HF M4 5.56 Carbine	845737008499	\$349.00
<b>20-100046</b>	AR15 Barrel, 16" BB M4 5.56 Carbine	845737008420	\$259.00
<b>20-100047</b>	AR15 Barrel, 16" HF M4 5.56 Carbine	845737008376	\$349.00
<b>36426</b>	FN 15 16" Carbine Upper (HF Barrel)	845737005979	\$799.00
<b>36427</b>	FN 15 20" Rifle Upper (HF Barrel)	845737005986	\$799.00
<b>20-100111</b>	Discreet 36" Case, Black 36x13x4"	845737008338	\$109.00
<b>20-100113</b>	Discreet 36" Case, FDE 36x13x4"	845737008352	\$109.00
<b>20-100115</b>	Discreet 28" Case, Black 28x13x"	845737008345	\$99.00
<b>20-100117</b>	Discreet 28" Case, FDE 28x13x4"	845737008581	\$99.00
<b>20-100119</b>	Discreet 20" Case, Black 20x13x4"	845737008734	\$89.00
<b>20-100121</b>	Discreet 20" Case, FDE 20x13x4"	845737008598	\$89.00
<b>20-100089</b>	Adj. Strap 19", Black Hook & Loop	845737008604	\$6.99

## RIFLE ACCESSORIES

PRODUCT NUMBER	PRODUCT	UPC	MSRP
<b>20-100087</b>	Adj. Strap 15", Black Hook & Loop	845737008611	\$6.99
<b>20-100085</b>	Adj. Strap 11", Black Hook & Loop	845737008628	\$6.99
<b>20-100105</b>	Muzzle Pouch, Black Hook & Loop	845737008635	\$6.99
<b>20-100101</b>	AR Mag. Pouch, Black Hook & Loop	845737008642	\$6.99
<b>20-100099</b>	SCAR® 17 Mag Pouch, Black Hook & Loop	845737008666	\$6.99
<b>20-100103</b>	PS90® Mag. Pouch, Black Hook & Loop	845737008673	\$9.99
<b>20-100095</b>	Suppressor Pouch, 7" Black Hook & Loop	845737008680	\$6.99
<b>20-100097</b>	Accessory Pouch, Black Hook & Loop	845737008697	\$6.99
<b>20-100093</b>	Molle Panel, 6x5", Black Hook & Loop	845737008703	\$6.99
<b>20-100107</b>	Pistol Mag. Pouch, Black Hook & Loop	845737008710	\$6.99
<b>20-100091</b>	Document Holder Hook & Loop	845737008727	\$6.99
<b>3488890000</b>	FS2000® Tool Kit	818513004619	\$139.00
<b>3819999997</b>	Otis Cleaning Kit 5.7x28MM	818513003230	\$99.00
<b>3849999998</b>	PS90®/P90® Side Accessory Rail	845737001353	\$60.00
<b>3819400120</b>	PS90®/P90® M1913 USG Accessory Rail	818513002202	\$144.00
<b>3819820010</b>	PS90®/P90® Fired Case Collector	818513001618	\$57.00
<b>3819999999</b>	PS90®/P90® Magazine Pouch	818513002493	\$239.00
<b>62655-01</b>	TBM Conversion Kit for SPR	845737001421	\$449.00

# SHOTGUN ACCESSORIES

PRODUCT NUMBER	PRODUCT	UPC	MSRP
<b>50001</b>	FN EZ Shotgun Sling 2pt Blk w/out Reducer	818513001731	\$57.00
<b>3088929500</b>	SLP™ MK1 Barrel Assembly 22" Inv Improved	818513002592	\$415.00
<b>3088929510</b>	SLP™ MK1 Barrel Assembly 22" Rifled	818513005692	\$444.00
<b>3088929530</b>	SLP™ Barrel Assembly 24" Inv Plus Modified	818513005463	\$415.00
<b>3088929540</b>	SLP™ Barrel Assembly 26" Inv Plus Modified	818513005470	\$415.00
<b>3088929550</b>	SLP™ Barrel Assembly 28" Inv Plus Modified	818513005487	\$415.00
<b>3088929560</b>	SLP™ Barrel Assembly 30" Inv Plus Modified	818513005494	\$415.00
<b>3088929711</b>	SLP™ Inv Ext Ck.Tube Cylinder [CYL .000"]	818513006224	\$39.00
<b>3088929712</b>	SLP™ Inv Ext Ck.Tube Skeet [CYL .005"]	818513006231	\$39.00
<b>3088929713</b>	SLP™ Inv Ext Ck.Tube Improved [CYL .010"]	818513006248	\$39.00
<b>3088929714</b>	SLP™ Inv Ext Ck.Tube Light Modified [CYL .015"]	818513006255	\$39.00
<b>3088929715</b>	SLP™ Inv Ext Ck.Tube Modified [CYL .020"]	818513006262	\$39.00
<b>3088929716</b>	SLP™ Inv Ext Ck.Tube Improved Modified [CYL .025"]	818513006279	\$39.00
<b>3088929717</b>	SLP™ Inv Ext Ck.Tube Light Full [CYL .030"]	818513006286	\$39.00
<b>3088929718</b>	SLP™ Inv Ext Ck.Tube Full [CYL .035"]	818513006293	\$39.00
<b>3088929719</b>	SLP™ Inv Ext Ck.Tube Extra Full [CYL .040"]	818513006309	\$39.00
<b>3088929720</b>	SLP™ Inv Plus Ext Ck.Tube Cylinder [CYL .000"]	818513006316	\$39.00
<b>3088929721</b>	SLP™ Inv Plus Ext Ck.Tube Skeet [CYL .005"]	818513006323	\$39.00
<b>3088929722</b>	SLP™ Inv Plus Ext Ck.Tube Improved [CYL .010"]	818513006330	\$39.00
<b>3088929723</b>	SLP™ Inv Plus Ext Ck.Tube Light Modified [CYL .015"]	818513006347	\$39.00
<b>3088929724</b>	SLP™ Inv Plus Ext Ck.Tube Modified [CYL .020"]	818513006354	\$39.00
<b>3088929725</b>	SLP™ Inv Plus Ext Ck.Tube Improved Modified [CYL .025"]	818513006361	\$39.00
<b>3088929726</b>	SLP™ Inv Plus Ext Ck.Tube Light Full [CYL .030"]	818513006378	\$39.00
<b>3088929727</b>	SLP™ Inv Plus Ext Ck.Tube Full [CYL .035"]	818513006385	\$39.00
<b>3088929728</b>	SLP™ Inv Plus Ext Ck.Tube Extra Full [CYL .040"]	818513006392	\$39.00

## LESS LETHAL (LE AND MIL SALES ONLY)

PRODUCT NUMBER	PRODUCT	UPC	MSRP
<b>48048552</b>	FN 303® Projectiles, Yellow	818513005135	POR
<b>48048554</b>	FN 303® Projectiles, Clear	818513005128	POR
<b>48048555</b>	FN 303® Projectiles, Pink	818513009799	POR
<b>48048600</b>	FN 303® Projectiles, Pava Powder	818513005272	POR
<b>48048610</b>	FN 303® Projectiles, Inert Powder	818513005265	POR
<b>48194</b>	FN 303® Barrel Adapter M16	818513002974	POR
<b>48195</b>	FN 303® Barrel Adapter M4	818513003001	POR
<b>48214</b>	FN 303® 10-Pack O-Rings with Lub	818513002073	POR
<b>48726</b>	FN 303® 10-Pack O-Rings	845737003913	POR
<b>48931</b>	FN 303® Training O-Ring Kit	845737003036	POR
<b>48224</b>	FN 303® O-Ring Overhaul Kit	845737000950	POR
<b>48071</b>	FN 303® Projectile Speed Loader	818513001786	POR
<b>48188</b>	FN 303® Magazine Assembly	818513001779	POR
<b>48600</b>	FN 303® Electric Air Compressor	818513002530	POR
<b>48153</b>	FN 303® Fill Station Adapter	818513001793	POR
<b>48215</b>	FN 303® Standard Fill Tank	818513002059	POR
<b>48216</b>	FN 303® Deluxe Fill Tank	818513002066	POR
<b>48711</b>	FN 303® Armorer Tool Kit	845737000271	POR
<b>48198</b>	FN 303® 2pt Sling with Reducer	818513001823	POR
<b>48199</b>	FN 303® 3pt Tactical Sling with Reduce	818513001847	POR
<b>48211</b>	FN 303® Equipment Vest	818513001809	POR
<b>48014</b>	FN 303® Interconnect Hose	818513003513	POR
<b>48043</b>	FN 303® Air Bottle Reservoir	818513002028	POR
<b>48074</b>	FN 303® Nylon Brush, 20mm	845737003067	POR
<b>48173</b>	FN 303® Oil Bottle	818513002776	POR



# PISTOLS

PISTOL MODELS	CALIBER	CAPACITY (Rd.)	ACTION	TRIGGER PULL (Lb.)	LENGTH (In.)	HEIGHT (In.)	WIDTH (In.)	BARREL LENGTH (In.)	SIGHT RADIUS (In.)	TWIST RATE (In.)	WEIGHT (Oz.)	SIGHTS	FRAME COLOR	SLIDE FINISH
<b>FN 509*</b>	9mm	10/17	DA	5.5-7.5	7.4	5.56	1.35	4.0	5.79	1:10 RH	26.9 with mag.	Fixed 3-dot luminescent/ 3-dot night	Black	Matte black
<b>FN 509* TACTICAL</b>	9mm	10/17/24	DA	5.5-7.5	7.9	5.56	1.35	4.5	5.79	1:10 RH	27.9	Fixed 3-dot night	Black/Flat Dark Earth	Matte black/Flat Dark Earth
<b>FN 509* MIDSIZE</b>	9mm	10/15	DA	5.5-7.5	7.4	5.16	1.35	4.0	5.79	1:10 RH	26.5	Fixed 3-dot luminescent/ 3-dot night	Black	Matte black
<b>FN 509* MIDSIZE MRD</b>	9mm	10 or 15	DA	5.5-7.5	7.4	5.2	1.35	4.0	5.79	1:10 RH	26.5	All-black co-witness iron sites	Black	Matte black
<b>FN 509* COMPACT MRD</b>	9mm	10 or 12/15	DA	5.5-7.5	6.8	5.2/4.8	1.35	3.7	5.6	1:10 RH	25.5	All-black co-witness iron sites	Black/Flat Dark Earth	Black/ Flat Dark Earth
<b>FNX™-45</b>	.45 ACP	10/15	DA/SA	8.8-12.1/3.96-5.06	7.9	6.3	1.58	4.5	6.4	1:16 RH	33.2 with mag.	Fixed 3-dot/ Fixed 3-dot night	Black/Flat Dark Earth	Matte black
<b>FNX™-45 TACTICAL</b>	.45 ACP	10/15	DA/SA	8.8-12.1/3.96-5.06	8.6	6.5	1.58	5.3	6.4	1:16 RH	33.3 with mag.	Fixed 3-dot night	Black/Flat Dark Earth	Matte black/ Flat Dark Earth
<b>FNX™-45 TACTICAL FDE NT</b>	.45 ACP	10	DA/SA	8.8-12.1/3.96-5.06	7.9	6.5	1.58	4.5	6.4	1:16 RH	33.2 with mag.	Fixed 3-dot night	Flat Dark Earth	Flat Dark Earth
<b>FN Five-seveN*</b>	5.7x28mm	10/20	SA	4.4-7.87	8.2	5.7	1.4	4.8	7.0	1:9 RH	23 with mag.	Adjustable 3-dot	Black/Flat Dark Earth	Matte black

BOLT-ACTION RIFLE MODEL	CALIBER	CAPACITY & TYPE	ACTION LENGTH	ACTION	TRIGGER PULL (Lb.)	LENGTH (In.)	HEIGHT (In.)	WIDTH (In.)	BARREL LENGTH (In.)	SIGHT RADIUS (In.)	TWIST RATE (In.)	WEIGHT (Lb.)	LENGTH OF PULL (In.)	STOCK TYPE	STOCK COLOR
<b>FN BALLISTA*</b>	.338 Lapua Mag.*	5/8 DBM	Long magnum	Bolt-action	3.0-5.0	49.5-50.75	7.8	3.80	26	N/A	1:9 RH	15.1	14.0-15.25	Modular chassis adjustable	Flat Dark Earth

SEMI-AUTO RIFLE/CARBINE MODELS	CALIBER	CAPACITY (Rd.)	TYPE	LENGTH (In.)	HEIGHT (In.)	WIDTH (In.)	WEIGHT	BARREL LENGTH (In.)	TWIST RATE (In.)	TRIGGER PULL (Lb.)	SIGHT RADIUS (In.)	SIGHTS	COLOR	STOCK TYPE
<b>FN 15* M4 MILITARY COLLECTOR</b>	5.56x45mm	30	GI	30.75-34	10.25	2.5	6.64 with empty mag.	16	1:7 RH	4.75-7.75	14.5	A2-style front (F height), adjustable backup iron rear	Black	Adjustable
<b>FN 15* M16 MILITARY COLLECTOR</b>	5.56x45mm	30	GI	39.7	10.25	2.7	8.29 with empty mag.	20	1:7 RH	4.75-7.75	20	A2-style front (F height), backup iron rear	Black	Fixed
<b>FN SCAR* 16S</b>	5.56x45mm	10/30	Short-stroke gas piston	27.5-37.5	8	2.75	7.25	16.25	1:7 RH	4.75-7.75	15.75	Folding adjustable iron	Flat Dark Earth/ Matte black	Adjustable, folding
<b>FN SCAR* 17S</b>	7.62x51mm	10/20	Short-stroke gas piston	28.5-38.5	8	2.75	8	16.25	1:12 RH	4.75-7.75	15.75	Folding adjustable iron	Flat Dark Earth/ Matte black	Adjustable, folding
<b>FN SCAR* 20S</b>	7.62x51mm	10	Short-stroke gas piston	40.6-42.5	8	2.75	11.2	20	1:12 RH	3.5-4.5	N/A	N/A	Flat Dark Earth	Adjustable
<b>FN SCAR* 20S 6.5 CREEDMOOR</b>	6.5 Creedmoor	10	Short-stroke gas piston	41-42.8	8.03	2.73	11.6	20	1:8 RH	3.5-4.5	N/A	N/A	Flat Dark Earth	Adjustable
<b>FN PS90* (STANDARD)</b>	5.7x28mm	10/30/50	Closed-bolt blowback	26.23	8.30	2.30	6.61	16.1	1:9 RH	4.5-7.87	N/A	Backup iron	Matte black	Bullpup
<b>FN 15* DMR II</b>	5.56x45mm	30	Magpul	35-38	10.5	2.55	7.1 with empty mag.	18	1:7 RH	3.25-4.0	N/A	N/A	Black	Adjustable
<b>FN 15* TACTICAL II</b>	5.56x45mm	30	Magpul	33.7-37	10.5	2.55	6.7 with empty mag.	16	1:7 RH	4.75-7.75	N/A	N/A	Black	Adjustable
<b>FN 15* TACTICAL .300 BLK II</b>	.300 BLK (7.62x35mm)	30	Magpul	34-37.25	10.5	2.55	6.91 with empty mag.	16	1:8 RH	4.75-7.75	N/A	N/A	Black	Adjustable
<b>FN 15* TACTICAL CARBINE FDE P-LOK</b>	5.56x45mm	30	GI	34-37.25	10.5	2.55	7.2 with empty mag.	16	1:7 RH	4.75-7.75	N/A	N/A	Flat Dark Earth	Adjustable
<b>FN 15* TACTICAL II CA</b>	5.56x45mm	10	GI	36.75	10.5	2.55	7.1 with empty mag.	16	1:7 RH	4.75-7.75	N/A	N/A	Black	Fixed

# RIFLES

SEMI-AUTO RIFLE/CARBINE MODELS	CALIBER	CAPACITY (Rd.)	TYPE	LENGTH (In.)	HEIGHT (In.)	WIDTH (In.)	WEIGHT (Lb.)	BARREL LENGTH (In.)	TWIST RATE (In.)	TRIGGER PULL (Lb.)	SIGHT RADIUS (In.)	SIGHTS	COLOR	STOCK TYPE
<b>FN 15<sup>®</sup> DMR II CA</b>	5.56x45mm	10	GI	38.75	10.5	2.55	7 with empty mag.	18	1:7 RH	4.75-7.75	N/A	N/A	Black	Fixed
<b>FN 15<sup>®</sup> MD HEAVY BARREL RIFLE BLK 20</b>	5.56x45mm	10	GI	38	10.5	2.55	8.7 with empty mag.	20	1:7 RH	4.75-7.75	N/A	Magpul <sup>®</sup> BUIS	Black	Fixed
<b>FN 15<sup>®</sup> PATROL CARBINE</b>	5.56x45mm	30	GI	31.9-35.2	10.25	2.75	6.6 with empty mag.	16	1:7 RH	4.75-7.75	14.5	A2-style front sight. Samson flip-up rear site.	Black	Collapsible, 6-position with sling mount
<b>FN 15<sup>®</sup> CARBINE</b>	5.56x45mm	10 or 30	GI	31.9-35.2	10.25	2.75	6.94 with empty mag	16 (Heavy Barrel)	1:7 RH	4.75-7.75	14.5	Removable carrying handle with rear sight, A2-style front sight	Black	Collapsible, 6-position with sling mount. Two-piece, single heat shield, oval hand guard.

# SHOTGUNS

SHOTGUN MODELS	GAUGE	ACTION	CHAMBER LENGTH (In.)	CAPACITY (Rd.)	BARREL LENGTH (In.)	CHOKE SYSTEM	TRIGGER PULL (Lb.)	LENGTH (In.)	HEIGHT (In.)	WIDTH (In.)	WEIGHT (Lb.)	LENGTH OF PULL (In.)	SIGHT RADIUS (In.)	SIGHTS	STOCK
<b>FN SLP<sup>™</sup> (STANDARD)</b>	12	Semi-automatic	2¾" 3"	6+1 5+1	18	Standard Invector <sup>™</sup>	6.2-7.3	39	7.9	2.4	7.7	14	17.6-21.5	High-profile/adj. rear, wing-protected front	Matte black synthetic/pistol grip
<b>FN SLP<sup>™</sup> MK I</b>	12	Semi-automatic	2¾" 3"	8+1 7+1	22	Standard Invector <sup>™</sup>	6.2-7.3	43	7.9	2.4	8.4	14	18	Low-profile/adj. rear, fiber-optic front	Matte black synthetic/pistol grip
<b>FN SLP<sup>™</sup> COMPETITION</b>	12	Semi-automatic	2¾" 3"	8+1 7+1	24	Invector-Plus <sup>™</sup>	6.2-7.3	45	7.9	2.4	8.3	14	20	Flip-up rifle rear, fiber-optic front	Matte black synthetic/pistol grip
<b>FN P-12<sup>™</sup></b>	12	Pump-action	2¾" 3"	5+1 4+1	18	Standard Invector <sup>™</sup>	6.2-7.3	39	7.9	2.4	7.7	14	14	Flip-up rifle rear, fiber-optic front	Matte black synthetic/pistol grip



FN® MK 16, FN® MK 17, FN® MK 20 SSR MODELS	CALIBER	CAPACITY	OPERATION	LENGTH (In.)	HEIGHT (In.)	WIDTH (In.)	BARREL LENGTH (In.)	WEIGHT (Lb.)	TWIST RATE (In.)	TRIGGER PULL (Lb.)	COLOR	SIGHTS
<b>FN® MK 16 LB (LONG BARREL)</b>	5.56x45mm	30	Gas-operated short-stroke piston	36.5-39.0	8	2.75	18	7.7	1:7 RH	4.75-7.75	Flat Dark Earth	Folding adjustable iron
<b>FN® MK 16 (STANDARD)</b>	5.56x45mm	30	Gas-operated short-stroke piston	32.5-35.0	8	2.75	14	7.2	1:7 RH	4.75-7.75	Flat Dark Earth	Folding adjustable iron
<b>FN® MK 16 CQC (CLOSE QUARTERS COMBAT)</b>	5.56x45mm	30	Gas-operated short-stroke piston	28.5-31.0	8	2.75	10	6.7	1:7 RH	4.75-7.75	Flat Dark Earth	Folding adjustable iron
<b>FN® MK 17 LB (LONG BARREL)</b>	7.62x51mm	20	Gas-operated short-stroke piston	39.5-42.0	8	2.75	20	8.3	1:12 RH	4.75-7.75	Flat Dark Earth	Folding adjustable iron
<b>FN® MK 17 (STANDARD)</b>	7.62x51mm	20	Gas-operated short-stroke piston	35.5-38.0	8	2.75	16	7.9	1:12 RH	4.75-7.75	Flat Dark Earth	Folding adjustable iron
<b>FN® MK 17 CQC (CLOSE QUARTERS COMBAT)</b>	7.62x51mm	20	Gas-operated short-stroke piston	32.5-35.0	8	2.75	13	7.7	1:12 RH	4.75-7.75	Flat Dark Earth	Folding adjustable iron
<b>FN® MK 20 SSR</b>	7.62x51mm	20	Gas-operated short-stroke piston	40.5-42.5	8	2.75	20	10.8	1:12 RH	4.75-7.75	Flat Dark Earth	Folding adjustable iron

MILITARY FIREARMS

GRENADE LAUNCHER

FN® MK 16, FN® MK 17, FN® MK 20 MODELS	CALIBER	CAPACITY	OPERATION	LENGTH (In.)	HEIGHT (In.)	WIDTH (In.)	BARREL LENGTH (In.)	WEIGHT (Lb.)	TWIST RATE (In.)	TRIGGER PULL (Lb.)	COLOR	SIGHTS
<b>FN® MK 13 EGLM</b>	40x46mm LVG	1	Manual	20.25-26.5	N/A	N/A	9.6	5.92	N/A	N/A	Flat Dark Earth	Folding iron leaf

# MILITARY FIREARMS

## MACHINE GUNS

MACHINE GUN MODELS	CALIBER	CAPACITY	OPERATION	WEIGHT (Lb.)	BARREL LENGTH (In.)	COLOR	SIGHTS
<b>FN® M249 SAW (SQUAD AUTOMATIC WEAPON)</b>	5.56x45mm	Belt-fed	Open-bolt, gas-operated	17	20.5	Matte black	Adjustable iron
<b>FN® M249 PARA</b>	5.56x45mm	Belt-fed	Open-bolt, gas-operated	15.95	16.3	Matte black	Adjustable iron
<b>FN® MK 46 MOD 1</b>	5.56x45mm	Belt-fed	Open-bolt, gas-operated	15.44	16.3	Matte black	Adjustable iron
<b>FN® MK 46 MOD 2</b>	5.56x45mm	Belt-fed	Open-bolt, gas-operated	16.9	16.3	Matte black	Adjustable iron
<b>FN® MK 48 MOD 1</b>	7.62x51mm	Belt-fed	Open-bolt, gas-operated	18.26	19.75	Matte black	Adjustable iron
<b>FN® MK 48 MOD 2</b>	7.62x51mm	Belt-fed	Open-bolt, gas-operated	19.8	19.75	Matte black	Adjustable iron
<b>FN® M240B</b>	7.62x51mm	Belt-fed	Open-bolt, gas-operated	27	21.7	Black	Adjustable iron
<b>FN® M240L</b>	7.62x51mm	Belt-fed	Open-bolt, gas-operated	22.3	21.7	Black	Adjustable iron
<b>FN® M240 / M240C</b>	7.62x51mm	Belt-fed	Open-bolt, gas-operated	22.2	21.7	Black	Adjustable iron
<b>FN® M240D</b>	7.62x51mm	Belt-fed	Open-bolt, gas-operated	22.9	21.7	Black	Adjustable iron
<b>FN® M240H</b>	7.62x51mm	Belt-fed	Open-bolt, gas-operated	25.8	21.7	Black	Adjustable iron
<b>FN® M2HB-QCB</b>	.50 BMG (12.7x99mm)	Belt-fed	Closed-bolt, gas recoil-operated	84	45	Black	Adjustable iron
<b>FN® M3M (GAU-21)</b>	.50 BMG (12.7x99mm)	Belt-fed	Open-bolt, gas-operated	81.6	36	Black	None

RIFLES AND CARBINE MODELS	CALIBER	CAPACITY (Rd.)	OPERATION	LENGTH (In.)	HEIGHT (In.)	WIDTH (In.)	WEIGHT (Lb.)	BARREL LENGTH (In.)	TWIST RATE (In.)	TRIGGER PULL (Lb.)	SIGHTS	STOCK COLOR
<b>FN P90° STD. SELECTIVE FIRE</b>	5.7x28mm	30/50	Closed-bolt blowback	19.88	8.3	2.3	5.8	10.39	1:9 RH	4.5-7.87	Peep sight, non-magnifying optical	Matte black
<b>FN P90° STD. SEMI-AUTO</b>	5.7x28mm	30/50	Closed-bolt blowback	19.88	8.3	2.3	5.8	10.39	1:9 RH	4.5-7.87	Peep sight, non-magnifying optical	Matte black
<b>FN P90° TR SELECTIVE FIRE</b>	5.7x28mm	30/50	Closed-bolt blowback	19.88	8.3	2.3	5.95	10.39	1:9 RH	4.5-7.87	Peep sight	Matte black
<b>FN P90° USG</b>	5.7x28mm	30/50	Closed-bolt blowback	19.88	8.3	2.3	5.93	10.39	1:9 RH	4.5-7.87	Peep sight, non-magnifying optical	Matte black
<b>FN P90° LV</b>	5.7x28mm	30/50	Closed-bolt blowback	19.88	8.3	2.3	6.1	10.39	1:9 RH	4.5-7.87	Peep sight, non-magnifying optical, front-mounted visible laser	Matte black
<b>FN P90° TR LV</b>	5.7x28mm	30/50	Closed-bolt blowback	19.88	8.3	2.3	6	10.39	1:9 RH	4.5-7.87	Peep sight, front-mounted visible laser	Matte black
<b>FN P90° USG IR</b>	5.7x28mm	30/50	Closed-bolt blowback	19.88	8.3	2.3	6.24	10.39	1:9 RH	4.5-7.87	Peep sight, non-magnifying optical, front-mounted infrared laser	Matte black
<b>FN P90° TACTICAL</b>	5.7x28mm	30/50	Closed-bolt blowback	19.88	8.3	2.3	5.8	10.39	1:9 RH	4.5-7.87	Peep sight	Matte black
<b>FN SCAR® 16 (STANDARD)</b>	5.56x45mm	30	Gas-operated short-stroke piston	32.5-35.0	8	2.75	7.2	14.0	1:7 RH	4.75-7.75	Folding adjustable iron	Black/Flat Dark Earth
<b>FN SCAR® 16 CQC (CLOSE QUARTERS COMBAT)</b>	5.56x45mm	30	Gas-operated short-stroke piston	28.5-31.0	8	2.75	6.7	10.0	1:7 RH	4.75-7.75	Folding adjustable iron	Black/Flat Dark Earth
<b>FN SCAR® 17 (STANDARD)</b>	7.62x51mm	20	Gas-operated short-stroke piston	35.5-38.0	8	2.75	7.9	16.0	1:12 RH	4.75-7.75	Folding adjustable iron	Black/Flat Dark Earth
<b>FN SCAR® 17 CQC (CLOSE QUARTERS COMBAT)</b>	7.62x51mm	20	Gas-operated short-stroke piston	32.5-35.0	8	2.75	7.7	13.0	1:12 RH	4.75-7.75	Folding adjustable iron	Black/Flat Dark Earth
<b>FN SCAR®-SC</b>	5.56x45mm	30	Short-stroke gas piston operated, rotating bolt	21.10-25.71	8	2.75	6.94	7.5	1:7 RH	5.5-9.5	Folding adjustable iron	Black

## LAW ENFORCEMENT FIREARMS

RIFLES AND CARBINE MODELS	CALIBER	CAPACITY (Rd.)	TYPE	LENGTH (In.)	HEIGHT (In.)	WIDTH (In.)	WEIGHT (Lb.)	BARREL LENGTH (In.)	TWIST RATE (In.)	TRIGGER PULL (Lb.)	SIGHT RADIUS (In.)	SIGHTS	STOCK COLOR	STOCK TYPE
<b>FN 15° PATROL CARBINE SBR 10.5"</b>	5.56x45mm	30	GI	26.5-30	10.25	2.75	5.92 with empty mag.	10.5	1:7 RH	4.75-7.75	14.625	A2-style front (F height), Samson flip-up rear	Black	Adjustable
<b>FN 15° PATROL CARBINE SBR 14.5"</b>	5.56x45mm	30	GI	30.75-34	10.25	2.75	6.025 with empty mag.	14.5	1:7 RH	4.75-7.75	N/A	N/A	Black	Adjustable
<b>FN 15° PATROL CARBINE</b>	5.56x45mm	30	GI	31.9-35.2	10.25	2.75	6.0 with empty mag.	16	1:7 RH	4.75-7.75	14.5	A2-style fixed front, folding adjustable rear	Black	Adjustable

## LESS LETHAL

LESS LETHAL MODEL	CALIBER	CAPACITY (Rd.)	LOWER FRAME	UPPER FRAME	SIGHTS
<b>FN 303° LAUNCHER</b>	.68	15	Black polymer	Black aluminum	Flip-up iron

## TRAINING PISTOL/SIMUNITION PISTOL

PISTOL MODELS	CALIBER	CAPACITY (Rd.)	ACTION	LENGTH (In.)	HEIGHT (In.)	WIDTH (In.)	WEIGHT (Lb.)	BARREL LENGTH (In.)	TWIST RATE (In.)	TRIGGER PULL (Lb.)	SIGHT RADIUS (In.)	SIGHTS	STOCK COLOR	FINISH
<b>FN 509° TRAINING PISTOL</b>	9mm	17	DA, with re-strike	7.4	5.56	1.35	26.9	4.0	N/A	5.5-7.5	5.79	Fixed 3-Dot Luminescent Frame	Red Slide	Matte Black
<b>FN 509° SIMUNITION PISTOL</b>	9mm	17	DA	7.4	5.56	1.35	26.9	4.1	1:10 RH	5.5-7.5	5.79	Fixed 3-Dot Luminescent Frame	Blue Slide	Matte Blue

## GRENADE LAUNCHER

TACTICAL MODELS	CALIBER	CAPACITY (Rd.)	OPERATION	LENGTH (In.)	HEIGHT (In.)	WIDTH (In.)	WEIGHT (Lb.)	BARREL LENGTH (In.)	TWIST RATE (In.)	TRIGGER PULL (Lb.)	SIGHTS	STOCK COLOR
<b>FN40GL®-S (STAND-ALONE)</b>	40x46mm LVG	1	N/A	20.5-26.5	N/A	N/A	5.92	9.6	N/A	N/A	Folding iron leaf	Black/Flat Dark Earth
<b>FN40GL®-L (LAUNCHER)</b>	40x46mm LVG	1	N/A	20.5-26.5	N/A	N/A	2.96	9.6	N/A	N/A	Folding iron leaf	Black/Flat Dark Earth
<b>FN40GL®-H (LAUNCHER)</b>	40x46mm LVG	1	N/A	20.5-26.5	N/A	N/A	3.0	9.6	N/A	N/A	Folding iron leaf	Black/Flat Dark Earth
<b>FN40GL®-L/TM (TRIGGER MODULE)</b>	40x46mm LVG	N/A	N/A	N/A	N/A	N/A	N/A	N/A	N/A	N/A	Folding iron leaf	Black/Flat Dark Earth
<b>FN40GL®-H/TM (TRIGGER MODULE)</b>	40x46mm LVG	N/A	N/A	N/A	N/A	N/A	N/A	N/A	N/A	N/A	Folding iron leaf	Black/Flat Dark Earth
<b>FN40GL®-S/LS (LEAF SIGHT)</b>	40x46mm LVG	N/A	N/A	N/A	N/A	N/A	N/A	N/A	N/A	N/A	N/A	Black
<b>FN40GL®-S (STOCK)</b>	40x46mm LVG	N/A	N/A	N/A	N/A	N/A	N/A	N/A	N/A	N/A	N/A	Black/Flat Dark Earth

## FN CUSTOMER CONTACT

The 2020 FN product line has much to offer our customers. If you have any questions about the products within this catalog, purchasing information, or company programs, contact us at:

1.800.635.1321 • [INFO@FNAMERICA.COM](mailto:INFO@FNAMERICA.COM) • [FNAMERICA.COM/CONTACT-US](https://FNAMERICA.COM/CONTACT-US)





PO BOX 9424, McLEAN, VA 22102  
UNITED STATES OF AMERICA  
703.288.3500 / FNAMERICA.COM

FN products are manufactured in the U.S. by FN America, LLC, in Columbia, SC, and in Belgium by FN Herstal, S.A. FN America is passionately committed to providing dependable, innovative firearms of the highest quality to our customers who rely upon us to enhance their performance and safeguard their lives. This catalog represents FN's product offerings for U.S. military, law enforcement, and consumer markets only.

Every reasonable effort has been made to ensure that all product photographs, descriptions, and specifications in this catalog are accurate. However, inadvertent errors may occur, and changes in design or materials, due to our continual effort to improve products, may result in some changes in specifications before subsequent publications are issued. FN reserves the right to modify or change specifications without notice. Some FN products shown in action photos in this catalog may be equipped with user-supplied, optional accessories. If you have any questions regarding FN products, please visit [FNAMERICA.COM](http://FNAMERICA.COM) or contact us directly. Copyright © 2020 FN America, LLC. All rights reserved.

No part of this catalog, including documents, information, photographs, specifications, technical diagrams, or other material may be reproduced, adapted, translated, entered into a database, or released to the public, whether in whole or in part, without the prior written permission of FN Herstal, S.A. and/or FN America, LLC. All trademarks, service marks, logos, brand names, and copyrights used in this catalog are owned by FN Herstal, S.A. and/or FN America, LLC—except where otherwise specified—and may not be used, copied, reproduced, republished, uploaded, sent, transmitted, sold, or altered in any way without the prior written permission of FN Herstal, S.A.; FN America, LLC; and/or any third-party trademark or copyright owner, as the case may be. Some of the models displayed in this catalog may not be available worldwide, depending on the range of products available in the country of origin and/or destination. In this regard, FN Herstal, S.A. and/or FN America, LLC may not be held responsible for any reason whatsoever.





[FNAMERICA.COM](http://FNAMERICA.COM)