

**ATHLON**  
RIDICULOUSLY GOOD OPTICS

# ARES ETR UHD 1-10x24

**RETICLE:**

ATMR2 FFP IR MOA

ATMR3 FFP IR MIL

**FIRST FOCAL PLANE**



RIFLESCOPE  
USER MANUAL  
& CARE INSTRUCTIONS

# Table of Content

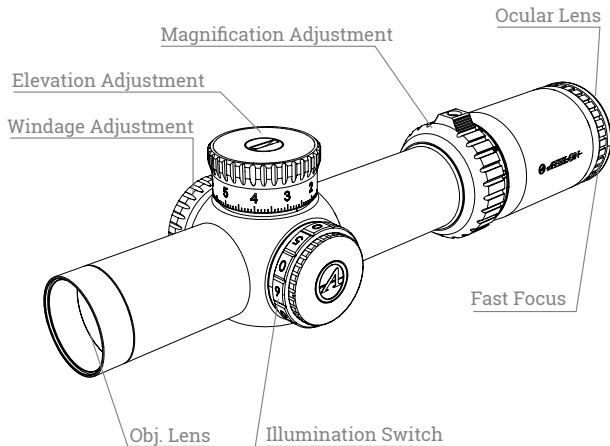
## 1) Mounting Your Athlon Rifle Scope

- a) Scope Dimensions
- b) Focusing the Scope
- c) Adjustment for Maximum Eye Relief
- d) Bore Sighting
- e) Zeroing the Scope
- f) Base Adjustment

## 2) Reticles

## 3) Maintaining Your Rifle Scope

## 4) Trouble Shooting Tips



*Congratulations on purchasing an Athlon Rifle Scope. Athlon is the ancient Greek word for "Prize" or "Medal." We think that with the purchase of your Athlon product you have won the best "prize" on the market today. Great Quality while still being a great value.*

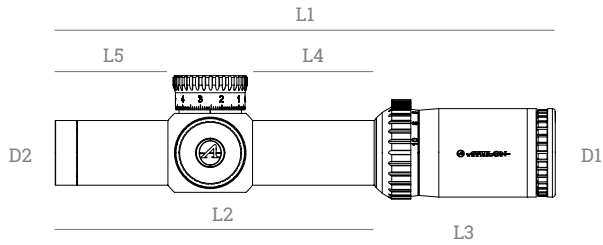
## 1. MOUNTING YOUR ATHLON RIFLESCOPE

**CAUTION: BEFORE MOUNTING A RIFLESCOPE BE SURE THAT THE FIREARM IS NOT LOADED, HAS ACTION OPEN AND THE MUZZLE POINTING IN A SAFE DIRECTION. SAFE FIREARM HANDLING PROCEDURES NEED TO BE PRACTICED AT ALL TIMES.**

To achieve the best performance from your rifle and your Athlon Scope, your scope must be mounted properly. If you are unfamiliar with proper procedures to mount a scope, we highly recommend to have the scope mounted by a qualified gunsmith

Athlon recommends you use high quality, appropriately sized rings and bases matched to your rifle when mounting your scope on the rifle. Please note that most ballistic charts use 1.5" as the standard mounting height for scopes when publishing ammunition information. Higher mounting height will have an effect on the impact point of the bullet. Mount your scope as low as you can without it touching the rifle or impeding the operation of the action of the gun. Attach bases and the bottom of the rings to your rifle. Be sure to follow the manufacturer instructions supplied with the rings and mounting base.

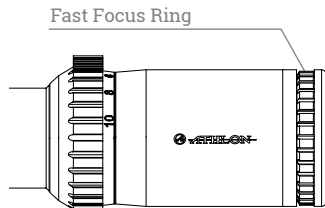
## a) SCOPE DIMENSIONS



RIFLESCOPE MODEL	L1	L2	L3	L4	L5	D1	D2
1-10x24 FFP	10.0"	6.9"	3.1"	2.5"	2.6"	1.83"	1.3"

## b) FOCUSING THE SCOPE

The purpose of the Fast Focus eyepiece is to focus the reticle in the scope to your eyes. For a fast focus eyepiece, just simply rotate the fast focus ring at the end of the eyepiece in either direction to get a perfect clear reticle while looking through the scope pointing at a flat plane surface. This is important to do prior to mounting.



## c) ADJUST FOR MAXIMUM EYE RELIEF

- i. You need to adjust the scope for maximum eye relief before tightening of the scope rings, to avoid injury from recoil.
- ii. With the scope on lowest magnification, move the scope forward as far as possible in the rings.
- iii. With the rifle in normal shooting position, look through the scope and slowly slide the scope back towards you. When you finally see the full field of view with sharp and clear edges, stop. Make sure the scope has not rotated so the reticle is tilted.
- iv. Rotate the scope until the elevation dial is at the top of the scope and the vertical cross-hair of the reticle matches the vertical axis of the rifle. This will be easier if you find a vertical reference such as the straight edge of a building or a telephone pole. Make sure the scope has not moved forward or backward while doing this.
- v. Tighten the rings per the manufacturer's instructions.

## d) BORE SIGHTING

Bore sighting is a preliminary procedure to achieve proper alignment of the scope with the rifle's bore.

- i. The initial bore sighting of the scope can be at short range of 50 yards. This is easier than trying to bore sight at 100 yards and will get you on the paper at that distance, so to save time and money at the shooting range.

We highly recommend using a bore sighter, but make sure to follow the manufacturer's instructions.

- ii. This can also be done by removing the bolt and sighting through the rear of the action. Make sure the rifle is placed solidly on a bench and the bolt is removed. You can then sight through the action and center the bore and target inside the barrel. (Note: Many ring and base sets have some kind of windage adjustments. Use these external adjustments first before using the scopes internal windage adjustments). With target centered in the bore, make windage and elevation adjustments until the reticle crosshair is also centered over the bulls eye.

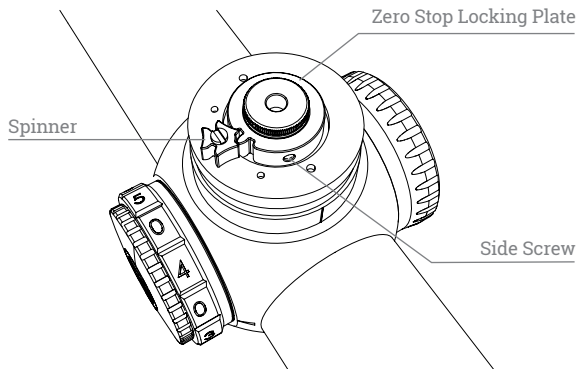
## e) ZEROING THE SCOPE

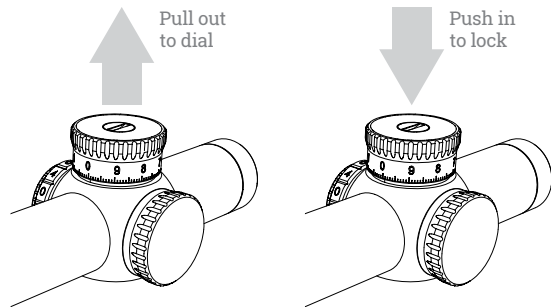
IF A LASER BORE SIGHTING OR ANY OTHER SIMILAR DEVICE INSIDE THE BORE WAS USED, IT MUST BE REMOVED BEFORE FIRING. AN OBSTRUCTED BORE CAN CAUSE SERIOUS DAMAGE TO THE GUN AND POSSIBLE INJURY TO THE SHOOTER.

- i. Ideally set the rifle on a two or three holding point gun rest, and then fire three rounds at a target 100 yards away. Observe the bullet holes on the target and calculate how far those bullet holes are off the center of the target, and then adjust windage and elevation knobs to move the center of the reticle up, down, left or right. Fire another three rounds, then observe and adjust. Repeat this step as necessary until the three round bullet holes are perfectly aligned with the center of the target.

- ii. Setting Windage and Elevation and locking your zero stop

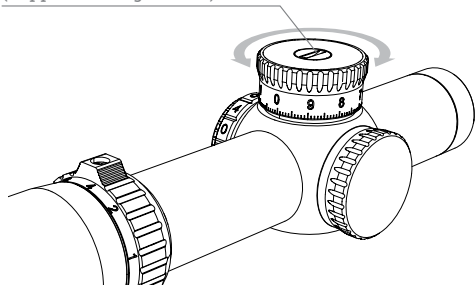
Athlon Ares ETR 1-10x24 UHD scope has removable elevation turret knob secured by a single top screw. Once a rifle has been zeroed in, simply remove the screw and remove the turret knob. After you removed the elevation knob, you will see a 1/8 inches thick brass plate inside. Just simply tighten three side screws of the plate while making sure the notch of the plate touches the shallow groove of the spinner (see the illustration), so the plate will not turn any further clockwise (down direction), and then put the elevation turret knob back on with zero line aligned with the vertical mark below the turning knob, and last tighten the screw to lock the knob in. With the zero stop set in place you will have a total 72 MOA/28 MIL upward adjustment. There is a locking feature for elevation knob. This feature allows you to pull the knob out to turn and push it in to lock it in position. The windage knob is capped and secured by a single top screw.





By zeroing the rifle at 100 yards, the shooter can calculate how many clicks of adjustment are needed for different distances or wind conditions. After shooting, the shooter can quickly turn the elevation knob clockwise (down direction) and go back to the zero position once the knob cannot be turned any further. **DO NOT OVERTURN THE ELEVATION KNOB ONCE IT STOPPED.**

Center Screw of Elevation Turret Knob  
(Capped Windage Turret)



Athlon Ares ETR UHD scopes have several options available, 1/4 MOA, and 1/10 MIL for the click values of elevation and windage adjustment depending on different configurations of scopes and reticle selections. MOA, a unit of angular measurement, is defined as a minute of angle, a minute is 1/60th of one degree and 1/21600th of a circle. One MOA equals 1.047-inch (rounded down to one inch) at 100 yards, two inches at 200 yards and to ten inches at 1000 yards. 1/4 MOA per click takes four clicks to move point of impact one inch at 100 yards. MIL, which is short for Milliradian and another unit of angular measurement, is defined as 1/1000th of a radian (6.2832 radians in a circle) and 1 MIL equals to 3.438 MOA and 3.6 inches at 100 yards, 7.2 inches at 200 yards, and to 36 inches at 1000 yards. 1/10 MIL per click takes 10 clicks to move point of impact 3.6 inches at 100 yards. Knowing the click value and the number of clicks needed for different distance is critical to dial in elevation and windage adjustments based on the rifle ballistics and wind velocity.

## f) BASE ADJUSTMENT

Athlon riflescope reticle comes centered from the factory. If you need to make additional adjustments when initially sighting in your scope, many ring and base setups allow you to adjust windage at the base mount. If possible, use these adjustments for initial windage change. Though not usually necessary, you can correct the elevation adjustment by replacing the mounting base with an offset 20+ MOA scope rail.

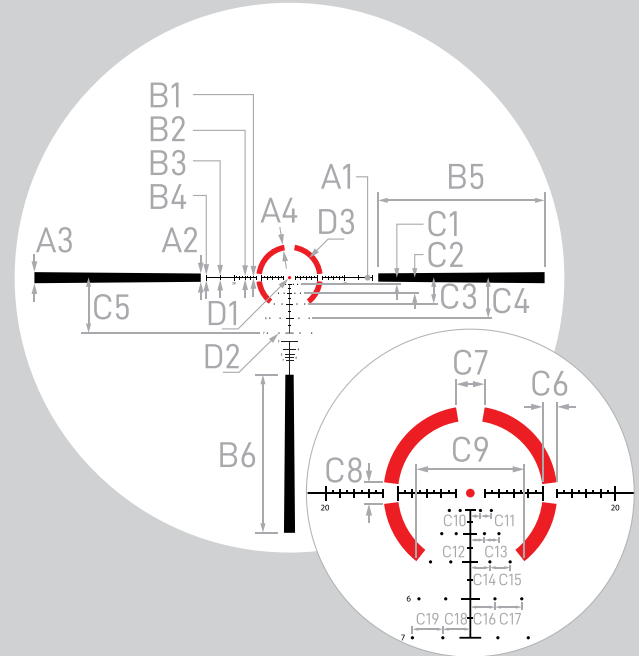
## 2. RETICLES

The reticles in your Athlon Ares ETR UHD rifle scope are first focal plane (FFP). This is according to where the reticle is located within the rifle scope.

First focal plane (FFP) reticles are located in front of the image erecting and magnifying lenses. With the reticle in this position, the reticle is magnified along with the viewing image. The advantage of this type of reticle is the size of the reticle stays the same size in relationship to the size of the target. This allows for any subtensions on the reticle to be the same at any power.

Please see the following reticle subtensions and find more details from reticle instruction manual to fully utilize the features and maximize the performance of the reticle design. You can download the reticle instruction manual from the product specifications tag of the product page on: [www.athlonoptics.com](http://www.athlonoptics.com)

### ATMR2 FFP IR MOA RETICLE



#### SUBTENSIONS IN MOA

A1	A2	A3	A4	B1	B2	B3	B4	B5	B6	C1	C2	C3	C4	C5	C6
0.25	3	4	2	0.4	1.2	1.5	2	60	57	2.4	5.6	9.5	14.6	20	2
C7	C8	C9	C10	C11	C12	C13	C14	C15	C16	C17	C18	C19	D1	D2	D3
4	3	15	1.4	1.5	1.95	2	2.7	2.8	3.4	3.7	3.8	4.2	1.2	0.5	20

## HOLDOVER FOR COMPENSATING BULLET DROP

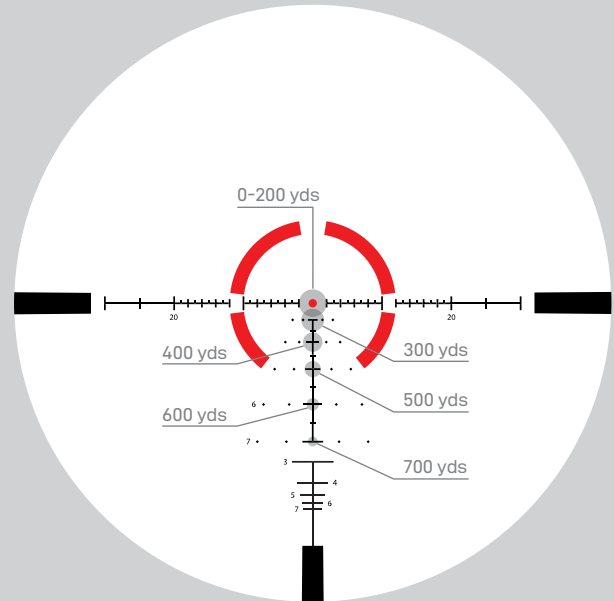
To be able to use the elevation holdovers effectively, you have to know the distance to your target and bullet trajectory (bullet drop in inches or moas). Since many bullet ballistic charts highlight bullet drops in inches and 1 MOA equals to 1.047 (rounded up to 1 inch) at 100 yards, 2 inches at 200 yards, and 10 inches at 1000 yards, etc, we can use those to calculate the holdover position in moa on this reticle.

For example, under no wind condition, if you knew your target is at 300 yards and your ammo has a 7.2 inch bullet drop at that distance, you want to use 2.4 moa holdover point. Here is how you got the 2.4 moa: since 1 moa equals to 1 inch x 3 = 3 inches at 300 yards, and then 2.4 moa equal to 2.4 x 3 inches = 7.2 inches at 300 yards, you want to hold the 2.4 moa drop point to compensate the 7.2 inch bullet drop.

To achieve ultimate precision, it is always a better idea to develop your own D.O.P.E (Data of Previous Engagement ) chart so that you can refer back to it for specific bullet drop compensation under different ambient environment and weather condition.

The ATMR2 reticle is designed for 68 and 69 grain BTHP 223 Rem/5.56 mm NATO rounds. It is also suitable for many other bullet weights in these calibers.

## EXAMPLE

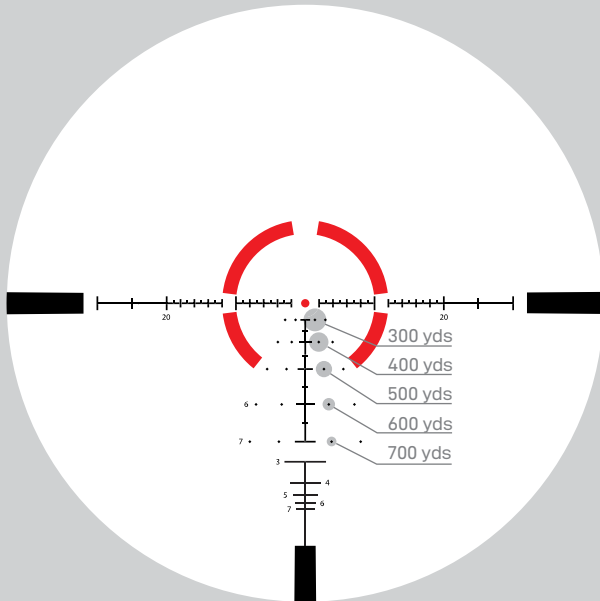


Bullet holdovers for target at every 100 yards. No wind. Zeroed at 200 yards, ballistic calculation based on 68 grain hornady and 69 grain sierra cartridge.

## HOLDOVER FOR WIND CORRECTION

The flying time of a bullet, the velocity and direction of the wind and the "slippery-ness" of the bullet expressed in BC (Ballistic Coefficient) determine your holdover for wind correction. Once again you have to understand the impact of

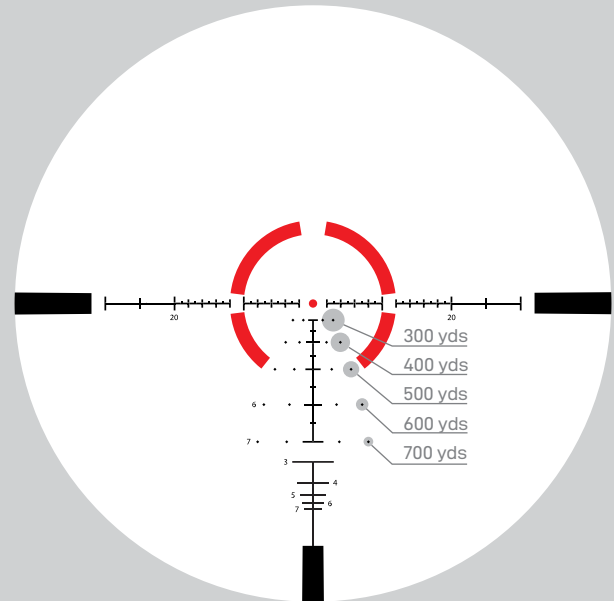
### EXAMPLE 1



5 mph wind from left to right, holdover for wind correction at every 100 yards.

those three factors on your bullet's flying path in terms of inches or moas and calculate how much holdover you have to hold, and then finding the corresponding holdover position on the reticle is a much easier task to accomplish.

### EXAMPLE 2

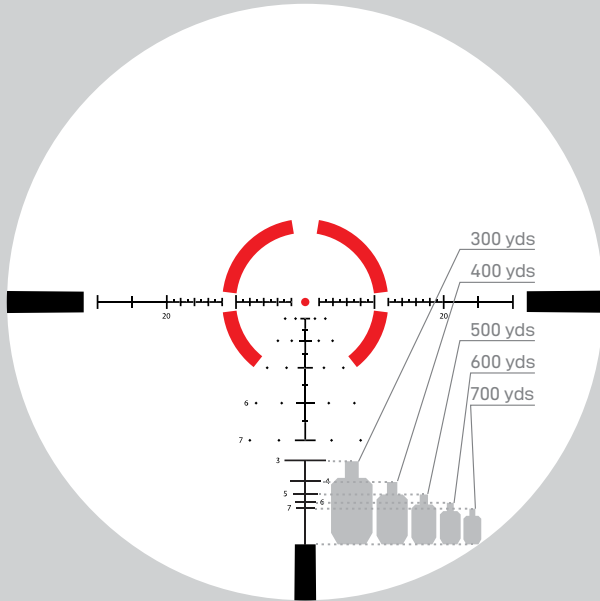


10 mph wind from left to right, holdover for wind correction at every 100 yards.



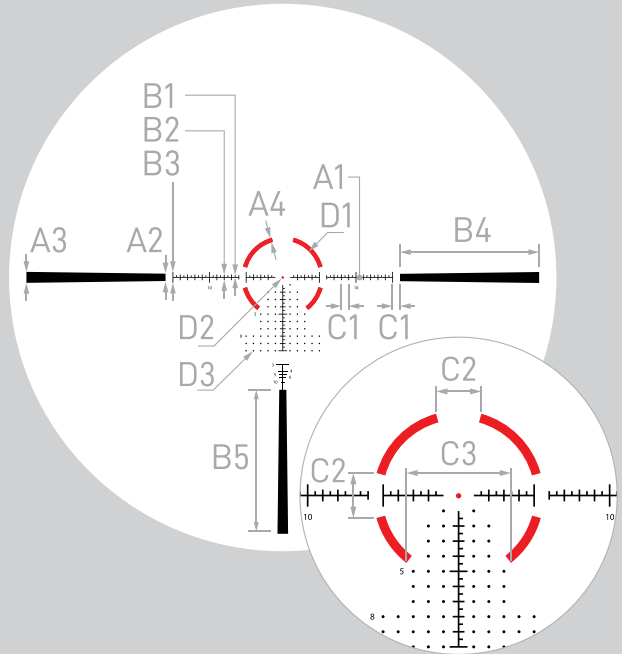
# DISTANCE RANGING

## EXAMPLE 1



The gap between the ranging reticle line to the top of the thick black line is 36 inches, that is a typical height of a standard silhouette target.

# ATMR3 FFP IR MIL RETICLE

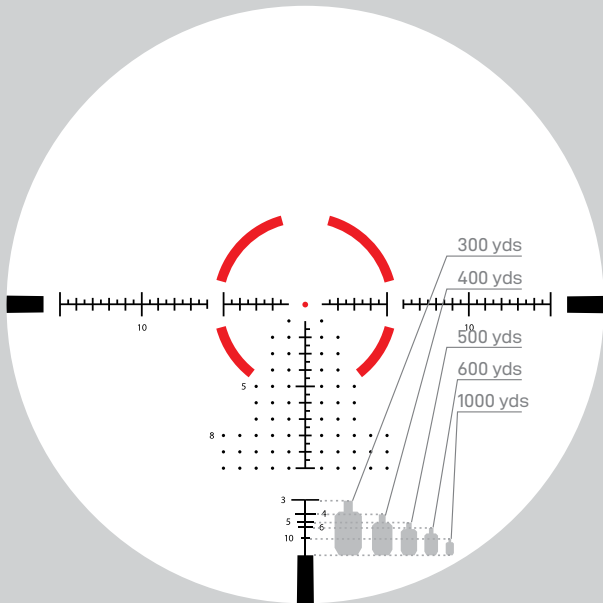


## SUBTENSIONS IN MIL

A1	A2	A3	A4	B1	B2	B3	B4
0.11	1	1.5	0.6	0.3	0.8	1.5	19
B5	C1	C2	C3	D1	D2	D3	
19.67	1	3	7	10	0.35	0.15	

## DISTANCE RANGING

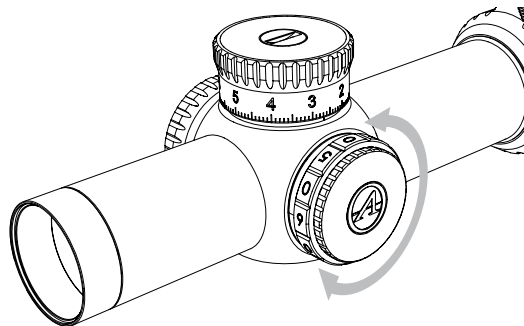
### EXAMPLE 1



The gap between the ranging reticle line to the top of the thick black line is 36 inches, that is a typical height of a standard silhouette target.

## SCOPES WITH ILLUMINATED RETICLES

Athlon offers variable brightness settings on Ares ETR UHD riflescopes. The numbers on the knob indicate different brightness settings and the zeros between numbers indicate "Off" position of the illumination. The illumination is powered by a lithium CR2032 3V battery. Remove the battery chamber cap by turning it counter-clockwise and then set the battery with the positive (+) side facing up. Reinstall the cap by turning it clockwise, DO NOT OVER-TIGHTEN.



## 3. MAINTAINING YOUR RIFLESCOPE

Disassembling or cleaning the scope internally will void the warranty. If the scope requires repairs, please refer to the warranty section for complete instructions.

The external optical surfaces should occasionally be wiped clean. Use the lens cloth provided or an optical quality lens

paper to wipe out dust or dirt on the external lens surface. If large sand particles or heavy dirt contamination is observed, remove using soft brush or by blowing them away. Apply lens cleaning liquid before wiping off. Always keep the protective lens covers in place when the scope is not in use to avoid dust collecting on the surface of the lenses. Store the unit in a low-humidity environment.

#### 4. TROUBLE SHOOTING TIPS - INACCURACY ISSUES

- i. Check scope mounting and make sure there is no movement when pulling the scope by hands. Tighten the mounts if there is any movement observed.
- ii. Use a benchrest or bags to support the rifle stock. Take care not to use supports on the barrel when making windage and elevation adjustments. This will help eliminate movement.
- iii. It is recommended using the same type of ammunition with same weight.
- iv. Check your rifle stock, as a loose stock changes the point of impact.
- v. Make sure your rifle chamber and barrel are clean
- vi. Make sure rifling of the barrel is not damaged and no excessive grease inside the barrel.
- vii. For any technical related questions, please contact Athlon Optics at [contact@athlonoptics.com](mailto:contact@athlonoptics.com) or call toll free 1-855-913-5678.

## THE ATHLON GOLD MEDAL LIFETIME WARRANTY\*

Your Athlon product is not only warranted to be free of defects in materials and workmanship for the lifetime of the product. Athlon will also repair or replace, at no charge to you, your product if you should damage it through normal use. No receipt is needed, no registration is required. This is a commitment that Athlon Optics will be the best product you can buy for your money.

***\*This warranty does not cover damages caused by deliberate damage, misuse, theft or maintenance provided by someone other than the Athlon Authorized Service Department.***



**ATHLON**  
RIDICULOUSLY GOOD OPTICS

# ARES ETR UHD 1-10x24

## RÉTICULES:

ATMR2 FFP IR MOA

ATMR3 FFP IR MIL

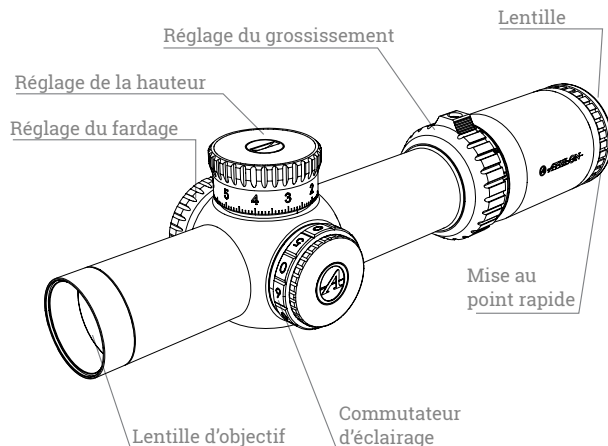
## PREMIER PLAN FOCAL



L'UTILISATEUR  
ET CONSIGNES D'ENTRETIEN  
DE LA LUNETTE DE VISÉE

## Table des matières

- 1) Installation de votre lunette Athlon
  - a) Dimensions de la lunette
  - b) Mise au point de la lunette
  - c) Ajustement pour un dégagement oculaire maximal
  - d) Alignement du canon
  - e) Mise à zéro de la lunette
  - f) Ajustement de la base
- 2) Réticules
- 3) Entretien de la lunette de visée
- 4) Conseils de dépannage



Félicitations pour votre achat d'une lunette de visée Athlon. Athlon vient du grec ancien et signifie «Prix» ou «Médaille». Nous pensons qu'avec l'achat de votre Athlon vous avez obtenu le meilleur «prix» sur le marché aujourd'hui. Une excellente qualité à un excellent prix.

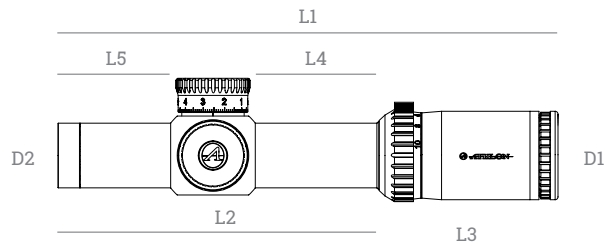
## 1. INSTALLATION DE VOTRE LUNETTE ATHLON

**ATTENTION : AVANT D'INSTALLER UNE LUNETTE DE VISÉE, ASSUREZ-VOUS QUE L'ARME N'EST PAS CHARGÉE, QUE SON MÉCANISME D'ACTIONNEMENT EST OUVERT ET QUE LE CANON EST PONTÉ DANS UNE DIRECTION SÛRE. LES PROCÉDURES DE MANIPULATION SÉCURISÉE DES ARMES À FEU DOIVENT ÊTRE SUIVIES À TOUT INSTANT.**

Pour garantir les meilleures performances de votre fusil et de votre lunette Athlon, celle-ci doit être installée correctement. Si vous n'êtes pas familier avec les procédures correctes d'installation d'une lunette, nous vous recommandons fortement de la faire installer par un armurier qualifié.

Athlon vous recommande d'utiliser des anneaux et des bases de haute qualité et de calibre adapté à votre fusil lors de l'installation de la lunette sur celui-ci. Veuillez noter que la plupart des tableaux balistiques utilisent la hauteur d'installation standard de 1,5 pouces pour les lunettes lors de la publication d'informations relatives aux munitions. Une plus grande hauteur d'installation aura un effet sur le point d'impact de la balle. Installez votre lunette aussi bas que possible sans toucher le fusil ni bloquer son mécanisme d'actionnement. Fixez les bases et le bas des anneaux à votre fusil. Assurez-vous de bien suivre les consignes du fabricant fournies avec les anneaux et la base de fixation.

## a) DIMENSIONS DE LA LUNETTE

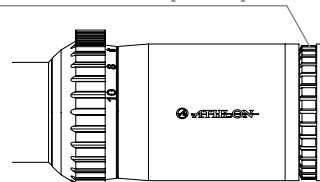


DE LA LUNETTE MODÈLE	L1	L2	L3	L4	L5	D1	D2
1-10x24 FFP	10.0"	6.9"	3.1"	2.5"	2.6"	1.83"	1.3"

## b) MISE AU POINT DE LA LUNETTE

L'objectif de l'oculaire à mise au point rapide est d'ajuster la mise au point du réticule de la lunette à vos yeux. Pour un oculaire à mise au point rapide, tournez simplement l'anneau de mise au point rapide à l'extrémité de l'oculaire dans une direction de manière à obtenir un réticule parfaitement net lorsque vous regardez à travers la lunette en pointant sur une surface plate. Il est important d'accomplir cette étape avant l'installation.

Anneau de mise au point rapide



### c) AJUSTEMENT POUR UN DÉGAGEMENT OCULAIRE MAXIMAL

- i. Avec la lunette réglée au grossissement minimum, avancez-la aussi loin que possible vers les anneaux. Avec le fusil en position de tir normale, regardez à travers la lunette et faites-la glisser lentement vers vous. Lorsque vous voyez de manière nette l'ensemble du champ de vision, arrêtez-vous. Assurez-vous que la lunette n'a pas tourné et que le réticule reste droit.
- ii. Faites pivoter la lunette jusqu'à ce que le cadran de hauteur soit au sommet de la lunette et que le pointeur vertical du réticule soit aligné avec l'axe vertical du fusil. Cette étape sera plus facile si vous trouvez une référence verticale telle que le rebord d'un bâtiment ou un poteau téléphonique. Assurez-vous que la lunette ne s'est pas déplacée vers l'avant ou vers l'arrière durant cette opération..
- iii. Resserrez les anneaux conformément aux consignes du fabricant.

### d) ALIGNEMENT DU CANON

L'alignement du canon est une procédure préliminaire permettant d'aligner correctement la lunette et la mire du fusil.

- i. L'alignement initial du canon et de la lunette peut se faire à courte portée, à 50 yards (46 mètres). Ceci est plus facile que d'essayer d'effectuer l'alignement du canon à 100 yards (92 mètres), et vous permettra d'atteindre la cible à cette distance, et donc d'économiser du temps

et de l'argent sur le champ de tir. Nous vous recommandons fortement d'utiliser un aligneur de mire, mais assurez-vous de suivre les consignes du fabricant.

- ii. Cela peut également être fait en retirant le boulon et en regardant à l'arrière de l'action. Assurez-vous que le fusil est fixé fermement sur un banc et que le verrou est retiré. Vous pouvez ensuite regarder l'action et centrer l'alésage et la cible à l'intérieur du canon (Remarque : De nombreux ensembles anneau/base possèdent certains types de visée réglable. Utilisez ces réglages externes avant d'utiliser la visée réglable interne des lunettes). Avec la cible centrée dans la mire, effectuez les réglages de visée et de hauteur jusqu'à ce que le pointeur du réticule soit aussi centré sur le point central.

### e) MISE À ZÉRO DE LA LUNETTE

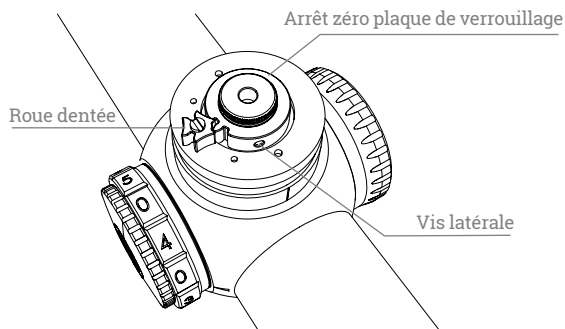
**SI UN ALIGNEMENT DE MIRE AU LASER OU TOUT AUTRE APPAREIL SIMILAIRE EST UTILISÉ À L'INTÉRIEUR DU CANON, IL DOIT ÊTRE RETIRÉ AVANT DE TIRER. UN CANON OBSTRUÉ PEUT SÉRIEUSEMENT ENDOMMAGER L'ARME ET RISQUE DE BLESSER LE TIREUR.**

- i. Idéalement, placez le fusil sur un support à deux ou trois pieds, puis tirez trois balles sur une cible située à 100 yards (92 mètres). Observez les trous de balles sur la cible et calculez la distance des trous par rapport au centre de la cible, puis ajustez les molettes de fardage et de hauteur pour déplacer le centre du réticule vers le haut, le bas, la gauche ou la droite. Tirez de nouveau trois balles, puis observez et ajustez. Répétez cette opération autant de fois que nécessaire jusqu'à ce que les

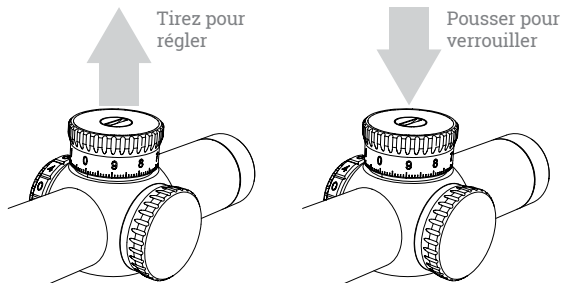
trois trous de balles soient parfaitement alignés avec le centre de la cible.

ii. Réglage du fardage et de l'élévation et verrouillage de votre arrêt zéro

Après avoir retiré le bouton d'élévation, vous verrez une plaque de laiton de 1/8 pouces d'épaisseur à l'intérieur. Il suffit de serrer trois vis latérales de la plaque tout en s'assurant que l'encoche de la plaque touche la rainure peu profonde roue dentée (voir l'illustration), de sorte que la plaque ne tourne plus dans le sens des aiguilles d'une montre (direction vers le bas), puis placez la tourelle d'élévation. Remettez le bouton en marche avec la ligne zéro alignée avec la marque verticale sous le bouton tournant, et serrez la dernière fois la vis pour verrouiller le bouton. Avec la butée zéro en place, vous aurez un ajustement total de 72 MOA / 28 MIL vers le haut. Il existe une fonction de verrouillage pour le bouton d'élévation. Cette fonction vous permet de tirer le bouton pour le tourner et de le pousser pour le verrouiller en position. Le bouton de dérive est coiffé et fixé par une seule vis supérieure.

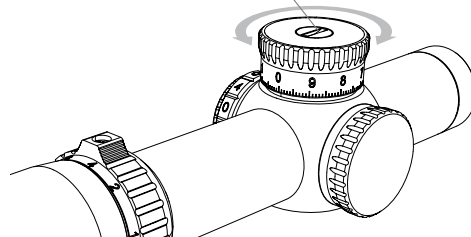


Il y a une fonction de verrouillage pour le bouton de dérive. Cette fonction vous permet de tirer sur le bouton pour tourner et pousser pour le verrouiller en position. Il n'y a pas de fonction d'arrêt zéro pour le bouton de visée.



En ajustant le fusil à 100 yards, le tireur peut calculer le nombre de clics d'ajustement qui sont nécessaires pour des distances différentes, ou pour des conditions de vent. Après le tir, le tireur peut rapidement tourner le bouton d'élévation dans la direction des aiguilles d'une montre (direction vers le bas) et revenir à son/sa position zéro une fois que le bouton ne peut pas être tourné plus. N'inversez pas le bouton d'élévation une fois qu'il est arrêté.

Vis de centre de la molette de hauteur  
(Capuchon tourelle de dérive)



La lunette de visée Athlon Ares ETR UHD a plusieurs options disponibles, 1/4 MOA et 1/10 MIL pour les valeurs en clics de l'ajustement d'élévation et de dérive selon les différentes configurations de sélections de réticule et des portées. MOA est une unité de mesure angulaire définie comme une minute d'angle, une minute est 1/60ème de degré et 1/21600ème d'un cercle. Un MOA correspond à 1,047 pouce (arrondi à un pouce) à 100 yards (92 mètres), deux pouces à 200 yards (184 mètres) et à dix pouces à 1000 yards (920 mètres). 1/4 MOA par clic exige quatre clics pour déplacer le point d'impact d'un pouce à 100 mètres. MIL, qui est l'abréviation de Milliradian et constitue une autre unité de mesure angulaire, correspond à 1/1000ème d'un radian (6,2832 radians dans un cercle) et 1 MIL équivaut à 3,438 MOA et 3,6 pouces à 100 yards, 7,2 pouces à 200 yards et 36 pouces à 1000 yards. 1/10 MIL par clic exige 10 clics pour déplacer le point d'impact de 3,6 pouces à 100 yards. La connaissance de la valeur d'un clic et du nombre de clics requis pour différentes distances est essentiel pour régler l'ajustement de hauteur et de fardage en fonction de la balistique du fusil et de la vitesse du vent.

## **f) AJUSTEMENT DE LA BASE**

Le réticule de la lunette Athlon est livré centré. Si vous devez effectuer des ajustements supplémentaires lors de l'alignement initial de votre lunette, de nombreux ensembles anneau et base vous permettent d'ajuster le fardage au support de base. Si possible, utilisez ces réglages pour le changement initial de fardage. Bien que cela ne soit

généralement pas nécessaire, vous pouvez corriger le réglage de l'élévation en remplaçant la base de montage par un rail de visée décalé de 20+ MOA.

## **2. RÉTICULES**

Les réticules dans votre lunette de visée Athlon Ares ETR UHD sont du premier plan focal (FPF). Ceci est en fonction de l'endroit où le réticule se situe dans la lunette de visée.

Les premiers réticules de plan focal (FPF) sont situés devant les lentilles de montage et de grossissement d'image. Avec le réticule dans cette position, le réticule est agrandi avec l'image cible. L'avantage de ce type de réticule est que la taille du réticule reste la même par rapport à la taille de la cible. Cela permet à toutes les valeurs de subvention sur le réticule d'être les mêmes à n'importe quelle puissance.

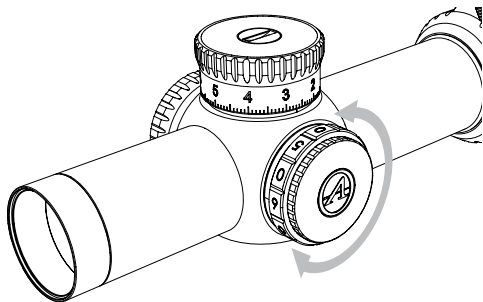
Les images de réticule avec leurs surtensions peuvent être vues sur les pages **11-18**. Vous pouvez télécharger le manuel d'instruction de réticule à partir du tag de spécifications du produit de la page du produit disponible au: [www.athlonoptics.com](http://www.athlonoptics.com)

## **a) LUNETTES AVEC RÉTICULE ILLUMINÉ**

Athlon offre des réglages de luminosité variables sur les lunettes de visée Ares ETR UHD. Les chiffres sur le bouton indiquent différents réglages d'éclairage et les points entre les chiffres indiquent la position «Off» de l'éclairage. L'éclairage



est alimenté par une batterie au lithium CR2032 3V. Retirez le couvercle de la chambre de la pile en le tournant dans le sens antihoraire, puis placez la batterie avec le côté positif (+) vers le haut. Remettez le bouchon en le tournant dans le sens horaire, NE PAS TROP SERRER.



### 3. ENTRETIEN DE LA LUNETTE DE VISÉE

Le démontage ou le nettoyage des parties internes de la lunette annulera la garantie. Si la lunette doit être réparée, veuillez vous reporter à la section de garantie pour obtenir les consignes complètes.

Les surfaces optiques externes doivent parfois être nettoyées. Utilisez le chiffon pour lentille fourni ou un papier pour objectifs de qualité optique pour essuyer la poussière ou la saleté sur la surface externe de la lentille. Pour retirer les gros grains de sable ou la saleté importante, utilisez une brosse à poil doux ou soufflez. Appliquez du liquide de nettoyage pour lentilles avant d'essuyer. Remplacez toujours les couvercles de protection des lentilles lorsque la lunette n'est pas utilisée afin d'éviter que la poussière ne s'accu-

mule à la surface des lentilles. Conservez l'unité dans un environnement à faible humidité.

### 4. CONSEILS DE DÉPANNAGE - PROBLÈMES DE MANQUE DE PRÉCISION

- i. Vérifiez l'installation de la lunette et assurez-vous qu'il n'y a pas de jeu lorsque vous tournez la lunette à la main. Resserrez les supports si vous constatez du jeu. Un scellant liquide enlevable est recommandé.
- ii. Utilisez un banc ou des sacs pour soutenir la crosse du fusil. Veillez à ne pas utiliser de supports sur le canon lors des réglages de dérive et d'élévation. Cela aidera à éliminer les mouvements.
- iii. Il est recommandé d'utiliser le même type de munitions avec le même poids.
- iv. Vérifiez la crosse de votre fusil, car une crosse branlante modifie le point d'impact.
- v. Assurez-vous que la chambre du fusil et le canon sont propres.
- vi. Assurez-vous que le rayage du canon n'est pas endommagé et qu'il n'y a pas d'excès de graisse dans le canon.
- vii. Pour toutes autres questions techniques, veuillez contacter ATHLON AMERICA LLC à [contact@athlonoptics.com](mailto:contact@athlonoptics.com) ou par le numéro gratuit 1-855-913-5678.

## **GARANTIE À VIE MÉDAILLE D'OR ATHLON\***

Votre produit Athlon est non seulement garanti contre tous vices de matériau et de main-d'œuvre pour toute la durée de vie du produit, mais Athlon s'engage également à réparer ou remplacer votre produit, sans frais pour vous, si vous l'endommagez dans le cadre d'une utilisation normale. Aucun reçu n'est nécessaire, aucun enregistrement n'est requis. C'est notre engagement que les lentilles Athlon seront le meilleur produit que votre argent peut acheter.

***\*Cette garantie ne couvre pas les dommages causés de manière délibérée, l'utilisation abusive, le vol ou l'entretien effectué par un tiers non affilié au service d'entretien agréé d'Athlon.***



**SHARP, TIGHT  
AND PRICED  
JUST RIGHT!**

Toll free: 1-855-913-5678

[contact@athlonoptics.com](mailto:contact@athlonoptics.com)

801 N MEADOWBROOK DR,  
OLATHE, KS 66062

**ATHLONOPTICS.COM**