

Aimpoint®

CompM4™ and CompM4s™ User manual



THE FUTURE IN SIGHT™

1 PRESENTATION

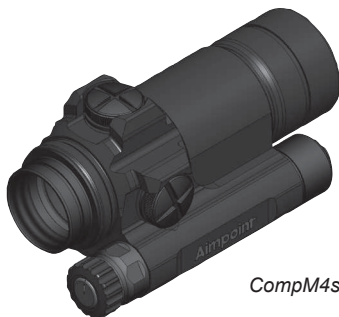
Aimpoint red dot sights are designed for the "two eyes open" method of sighting, which greatly enhances situational awareness and target acquisition speed. Thanks to the parallax-free design, the dot follows the movement of the user's eye while remaining fixed on the target, eliminating any need for centering. Further, the Sight allows for unlimited eye-relief and is compatible with 1st , 2nd and 3rd generation night vision devices.

The CompM4 and CompM4s Sights are using an AA size battery, which together with the extremely low power consumption gives an unequalled battery life.

The CompM4 and CompM4s combine the superior accuracy and ease of use of the well-known CompM2 model with significantly longer battery life and increased ruggedness through reinforced design.



CompM4



CompM4s

1.1 Specification

Material – housing	Extruded, high strength aluminum
Surface finish	Hard Anodized, black to dark grey, matte
Material – lens covers	Rubber, black
Optical magnification	1X
Eye relief	Unlimited, no centering required
Optical coating	Anti-reflex coating, all surfaces Multi-layer coating for reflection of red light Band Pass coating for NVD* compatibility
Dot size	2 MOA**
Dot brightness	16 positions: 7 NVD, 8 daylight and 1 extra bright
Battery	One AA size battery, (rechargeable 1.2 V), alkaline/lithium 1.5 V or lithium 3 V - 3.7 V (acceptable voltage 1.2 V – 5.0 V)
Battery life	Over 8 years of continuous (day and night) use at pos 12 of 16 and over 3 years at pos 13 of 16 (at room temperature and with a quality battery). Typically 500 000 h at NVD setting
Length	CompM4 135 mm (5.3”), CompM4s 135 mm (5.3”)
Width	CompM4 51mm (2.0”), CompM4s 53mm (2.1”)
Height	CompM4 57mm (2.2”), CompM4s 59mm (2.3”)
Weight	370g (13.1 oz)
Adjustment	Range ± 2 m at 100 meters (± 2 yds at 100 yds) in windage and elevation, 1 click = 4 mm at 25 meters = 16 mm at 100 meters ~ 1/2” at 80 yards
Temperature range	-45 °C to +71 °C (-49 °F to +160 °F), in storage and operation
Water resistance	Submersible to 45 m (150 ft)

* NVD: Night Vision Device,

** MOA (Minute Of Angle): 1MOA~ 30 mm at 100 meters or ~1” at 100 yards

1.2 Location and description of major components

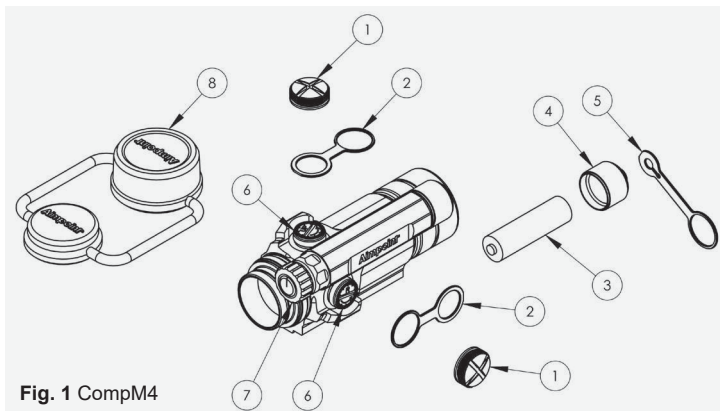


Fig. 1 CompM4

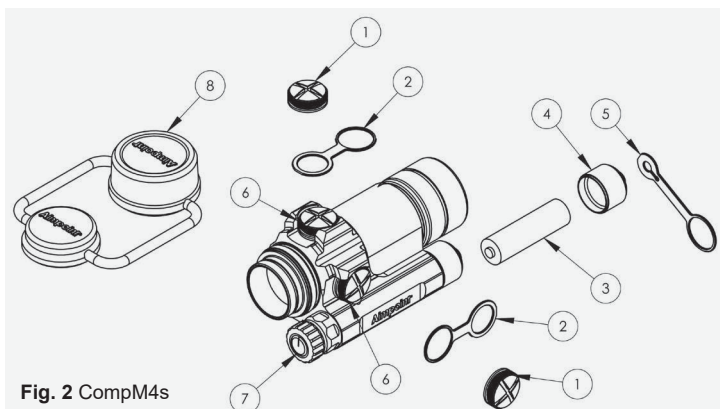


Fig. 2 CompM4s

1 Adjustment Cap (2 pcs)

2 Rubber Strap (2 pcs)

3 Battery (AA size)

4 Battery Cap

5 Rubber Strap (for Battery Cap)

6 Adjustment Screw (2 pcs)

7 Rotary switch

8 Lens Cover (Bikini)

2 OPERATION UNDER NORMAL CONDITIONS

WARNING: Ensure the weapon is not loaded and the safety selector is in the "safe" position before attempting to install, remove or perform maintenance.

2.1 Installing Battery

- a Remove battery Cap (4) by turning it counter clockwise.
- b Insert an AA-size battery with negative (-) end toward battery cap (4).

CAUTION: Check that the o-ring is in good condition and in position to ensure there is no water leakage into the battery compartment.

- c Install battery Cap (4) by turning clockwise until snug. Hand tighten only. Using tools could damage equipment.
- d Verify that red dot is present by turning the rotary switch (7) clockwise.

2.2 Lens Covers

In order to preclude the loss of the Lens Covers (8) when removed from the optical path of the Sight, the Lens Covers should be removed downwards. The rubber string will then attach around the Sight and mount.

2.3 Mounts and Spacers

The CompM4 and CompM4s Sights are designed for installation on firearms which have a MIL-Std 1913 Picatinny Rail or a Weaver Rail. For complete instructions on how to install the Sight on the weapon, consult Chapter II in the Operating and Maintenance Manual for Aimpoint Mounts and Spacers [13510].

2.4 Zeroing

The Sight is delivered in a centered position. Normally this means that only small adjustments are necessary, providing that the weapon rail or carrying handle is properly aligned. The elevation adjustment screw is located on top of the sight, while the windage screw is located on the right side.

CAUTION: Do not continue to adjust windage and elevation mechanisms if you encounter resistance.

- a Remove the Lens Cover (8).
- b Turn the Rotary Switch (7) clockwise until the red dot has a sufficient intensity to contrast against the target.
- c Remove both Adjustment Caps (1).

NOTE: Each click of the Adjustment Screws (6) corresponds to a 16 mm movement of the point of impact at 100 meters, (4 mm at 25 meters and 32 mm at 200 meters or 1/2" at 80 yds).

- d Insert adjustment tool (coin, screwdriver, knife) or cartridge casing in adjustment screw slot and turn as follows:
 - To move the point of impact to the right, turn windage adjustment screw counter clockwise .
 - To move the point of impact to the left, turn windage adjustment screw clockwise.
 - To move the point of impact up, turn elevation adjustment screw counter clockwise.
 - To move the point of impact down, turn elevation adjustment screw clockwise.
- e Confirm zeroing by firing at least three shots at a zeroing target. Check points of impact on zeroing target to confirm accuracy and repeat above procedure if required.
- f After initial firing, ensure that the Mount and Sight are secure.

3 OPERATION UNDER EXTREME CONDITIONS

- Extreme heat (moist or dry): No special procedures required.
- Extreme cold: Extreme cold might shorten battery life.
- Salt air: No special procedures required.
- Sea spray, water, mud and snow: Ensure that Cap Battery (4) and the two Adjustment Caps (1) are tightened before exposing the sight to sea spray, mud, snow or before immersing the sight in water. Hand tighten only. Keep Lens Covers closed when sight is not being used. Clean lenses with lens paper/cloth and wipe the sight dry as soon as possible after exposure to water, sea spray, mud or snow.
- Dust storms and sand storms: Keep Lens Covers closed when sight is not being used.
- High altitudes: No special procedures required.

CAUTION: The lenses shall never be cleaned with fingers but with lens paper/cloth. If no lens paper/cloth available :

- To clear away debris (sand, grass etc): blow away the dirt.
- To clean lenses: Mist up the lenses and clean them with a soft piece of cloth.

4 TROUBLE SHOOTING PROCEDURES

4.1 The red dot does not appear

Discharged battery:	Replace battery.
Battery installed incorrectly:	Remove and reinstall battery with (-) toward cap.
Battery is not making contact:	Clean contact surfaces and reinstall battery.
Defective Knob Switch:	Notify dealer/armourer.

4.2 Impossible to zero

Adjustment screw is at its limit:	Check alignment of rail (or carry handle) to barrel.
Impact point is moving:	Check Mount and weapon rail (or carry handle) stability.

5 MAINTENANCE

- This Sight does not require any particular maintenance while used under normal conditions.
- Under severe weather conditions please refer to section 3.
- Keep Lens Covers closed whenever the sight is not in use.
- Warehouse storage: Remove battery and allow lens surfaces to dry completely (if wet) before closing the lens covers.
- To clean lenses refer to **CAUTION** in section 3.
- To reach maximum protection level for all weather conditions, wax is added into the rubber mixture. The wax will slowly migrate to the surface of the part. During frequent use this wax will be used up completely and not noticed by the user. For long time storage, the wax will not be used up as frequently and will be seen as a grey film on the surface. To restore to its original condition, please hand wash in warm dishwater.

Aimpoint AB

Jägershillgatan 15
SE- 213 75 Malmö, Sweden
Phone +46 (0)40 671 50 20
Fax +46 (0)40 21 92 38
e-mail info@aimpoint.se

Aimpoint Inc.

7309 Gateway Court
Manassas, VA 20109, USA
Phone +1 703-263-9795
Fax +1 703-263-9463
e-mail info@aimpoint.com

WWW.AIMPOINT.COM

© 2014, 2016 Aimpoint AB. [13509-1]

