



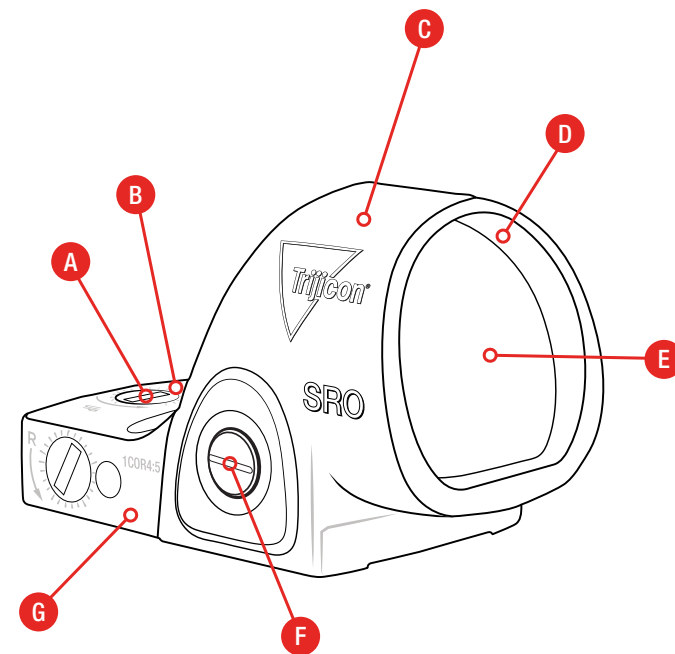
Trijicon SRO[®]

FASTER TARGET ACQUISITION STARTS WITH FASTER RED DOT ACQUISITION.

The Trijicon SRO[®] (Specialized Reflex Optic) is designed with a maximized field of view and a clean, crisp red dot that deliver improved pistol accuracy in competitive-shooting and target-shooting applications. It's also engineered with Trijicon's legendary durability, so it can withstand abuse on and off the range.

Features and Benefits

- A Easily Adjustable Windage & Elevation**
Tool-less design makes zeroing hassle-free.
- B Top-Loading Battery**
Battery changes are easy, with no need to dismount the optic; Uses common CR2032 battery.
- C Rugged, Durable Construction**
7075-T6 forged aluminum housing; waterproof up to 10 ft. (3m).
- D Large, Unobstructive Field of View**
Find the red dot with ease; parallax free.
- E Clear, Crisp Red Dot**
Finely tuned illuminated reticle, coupled with an exceptionally clear front lens, offer clear sight picture.
- F Intuitive, Easy-to-Adjust Illumination Controls**
8 brightness settings, including 1 super bright mode and 2 night vision modes.
- G Identical Footprint as RMR[®]**
Mounts easily on popular red-dot-ready pistols using the same base as Trijicon RMR[®].





	SRO®
Magnification	1x
Sight Window	.98 x .89 in. 25 x 22.5mm
Lens	Tempered Glass
Adjustments	1 Click = 1 MOA
Adjustment Range (Elevation & Windage)	150 MOA Total Travel
Dimensions (L x W x H)	2.2 x 1.3 x 1.4 in. 55 x 32 x 34mm
Weight	1.6 oz. (w/battery) [46g]
Illumination Source	LED Powered by a CR2032 Lithium Battery
Battery Life	3 Years at Setting 4*
Brightness Settings	Automatic & 8 Adjustable Settings

*When used at 70°F (21°C) on setting 4 of 6 with supplied alkaline battery. Extreme temperatures (high or low) will affect battery performance.

SRO®



1.0 MOA Red Dot



2.5 MOA Red Dot



5.0 MOA Red Dot

Adjustable LED 1.0 MOA Red Dot

Black:  SR01-C-2500001

Adjustable LED 2.5 MOA Red Dot

Black:  SR02-C-2500002

Adjustable LED 5.0 MOA Red Dot

Black:  SR03-C-2500003

