



» **FREEDOM. PASSION. PRECISION.™**

This instruction manual should always accompany this firearm. When you lend, give or sell this firearm, be sure that this manual goes with it.

If your instruction manual becomes lost or destroyed, obtain a replacement by calling 1-866-554-GUNS (4867), by downloading online at DanielDefense.com, or writing to the address below.

When requesting a manual, make a note of your address and include the information, which is located on the left side of your firearm, including its serial number.

DELTA 5™

BOLT-ACTION RIFLE

INSTRUCTIONS / SAFETY / MAINTENANCE

 **MADE IN THE USA**

101 WARFIGHTER WAY BLACK CREEK, GA 31308 | 1.866.554.GUNS (4867) | DANIELDEFENSE.COM

Daniel Defense, Daniel Defense with the interlocking DD, and others are trademarks registered with the United States Patent and Trademark Office.

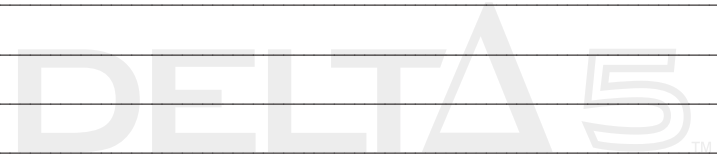
**DANIEL
DEFENSE**
» **FREEDOM. PASSION. PRECISION.™**



Daniel Defense has been manufacturing complete rifles since 2009 when we introduced our first AR-style firearm, the DDM4V1. As we've established and proven our design and manufacturing capabilities, we've found it's time to expand into new markets. That's why we have leveraged our technical experience and understanding of customer wants and needs to design and manufacture a premium bolt-action rifle—the DELTA 5. The DELTA 5 will provide customers the modularity they experience in our AR platform with the features and customization a highly-experienced precision shooter would want, right out of the box. Isn't it time you got a Daniel?

A handwritten signature in cursive script that reads "Marty Daniel".

Marty Daniel
Founder & CEO



1.0 INTRODUCTION2
1.1 DANIEL DEFENSE BOLT ACTION RIFLES.....3

2.0 PRECAUTIONS4

3.0 SAFETY INSTRUCTIONS5
3.1 CAUTIONS6
3.2 TRIGGER GUARD8
3.3 SAFETY MECHANISM8

4.0 FUNCTION8
4.1 BOLT INSTALLATION / REMOVAL.....9
4.2 AMMUNITION SELECTION.....10
4.3 LOADING11
4.4 UNLOADING13
4.5 FIRING THE RIFLE.....13
4.6 ADJUSTABLE STOCK.....15
4.7 MOUNTING A RIFLE SCOPE.....16

5.0 MAINTENANCE16
5.1 FIELD STRIP17
5.2 WHEN TO CLEAN17
5.3 HOW TO CLEAN.....17
5.4 LUBRICATION / PRESERVATION20
5.5 CLEANING THE MAGAZINE.....22
5.6 STORAGE22
5.7 SERVICING AND REPAIR.....22

6.0 PARTS ILLUSTRATIONS & LISTS.....24

7.0 WARRANTY STATEMENT 28

8.0 HEALTH AND ENVIRONMENTAL WARNING 28

NOTES..... 29

1.0 | INTRODUCTION

Thank you for purchasing the DELTA 5 Bolt Action Rifle. We pride ourselves on being a manufacturer of world-class firearms as well as providing top-notch customer service and the best warranty in the industry. It is our hope that this product meets your every expectation and serves you well in the coming years. Prior to firing this rifle, we ask that you do the following:

- **READ THIS MANUAL IN ITS ENTIRETY**
- **FOLLOW ALL RULES OF PROPER FIREARMS SAFETY AT ALL TIMES WHEN HANDLING THIS, AND ANY OTHER FIREARM. REFER TO SECTION 3 OF THIS MANUAL FOR DETAILS.**
- This rifle comes packaged with the bolt separated from the action. Check that the chamber and bore are clear from obstruction, and then refer to **Section 4.1** for details on how to properly assemble the bolt into the action.
- Familiarize yourself with the rifle; learn the controls and basic function without ammunition.
- All Daniel Defense firearms are shipped with a light oil applied to the metal components, including the bore of the barrel, to prevent corrosion during shipping and storage. Before firing, clean the oil from the barrel, bolt, and action following the procedures outlined in **Section 5.0**.
- Check the function of the trigger and safety by dry firing the rifle. **FOLLOW ALL FIREARMS SAFETY RULES EVEN WHEN DRY FIRING.**
- For best accuracy, it is recommended that when firing the rifle for the first time that the barrel break in procedure is followed.



1.1 | DANIEL DEFENSE BOLT ACTION RIFLES

DELTA 5™

1. BARREL

2. M-LOK

3. STOCK

4. BOTTOM METAL

5. MINI CHASIS

6. ACTION

7. ADJUSTABLE COMB

8. ADJUSTABLE BUTTPAD



FIGURE 1: DANIEL DEFENSE® DELTA 5™

2.0 | PRECAUTIONS

▲ IMPORTANT: THIS DANIEL DEFENSE PRODUCT IS POTENTIALLY LETHAL! IT IS CLASSIFIED AS A FIREARM OR DANGEROUS WEAPON BY THE BUREAU OF ALCOHOL, TOBACCO, FIREARMS AND EXPLOSIVES.

▲ IMPORTANT: READ AND UNDERSTAND THE ENTIRE USER MANUAL BEFORE REMOVING THE FIREARM FROM ITS PACKAGE. YOUR SAFETY AND THE SAFETY OF OTHERS REQUIRES YOU TO FOLLOW THE BASIC ADVICE ON THE PROPER HANDLING AND FUNCTIONING OF THIS DANIEL DEFENSE FIREARM.

▲ WARNING: IF THIS FIREARM IS CARELESSLY OR IMPROPERLY HANDLED, UNINTENTIONAL DISCHARGE COULD RESULT AND COULD CAUSE INJURY, DEATH, OR DAMAGE TO PROPERTY.

NOTICE: Daniel Defense shall not be responsible for any injury, death, or damage to property resulting from any intentional, unintentional or accidental discharge of the firearm, or from any firearm function when used for any improper purpose for which it was not designed. Daniel Defense will not honor claims involving the firearm which resulted from careless or improper handling, unauthorized use and/or adjustment or unauthorized part(s) replacement, corrosion, neglect, or the use of improper-caliber ammunition, or the use of ammunition other than original high-grade, commercially available ammunition in good condition, or any combination thereof. Daniel Defense will not honor any such claims involving the firearm for any reason or cause when such claims are made by the second or subsequent owner.

▲ IMPORTANT: BEFORE THE FIREARM LEFT THE DANIEL DEFENSE FACILITY IT WAS CAREFULLY INSPECTED AT EVERY STAGE OF THE MANUFACTURING PROCESS, BUILT BY HAND BY TRAINED DANIEL DEFENSE ARMORERS, TESTED BY A DANIEL DEFENSE QUALITY ASSURANCE INSPECTOR, AND PROPERLY PACKAGED. DANIEL DEFENSE CANNOT CONTROL THE PRODUCT AFTER IT LEAVES THE DANIEL DEFENSE FACILITY; AS SUCH, PLEASE CAREFULLY EXAMINE THE FIREARM, AT THE TIME OF PURCHASE, TO ENSURE THAT IT IS UNLOADED AND UNDAMAGED. THE AUTHORIZED DEALER AND/OR DISTRIBUTOR WILL BE PLEASED TO ASSIST YOU IN ANY SUCH EXAMINATION AND ANSWER ANY FURTHER QUESTIONS THAT YOU MAY HAVE.

The instruction manual should always accompany the firearm. If you lend, give or sell the firearm, be sure that the manual goes with it. Be sure to comply with all relevant federal and local regulations and laws governing the firearm's proper possession and use.

If unfamiliar with firearms, seek further advice through safe-handling courses run by your local gun clubs, NRA-approved instructor, or similar qualified organizations.

3.0 | SAFETY INSTRUCTIONS

Regardless of your experience level, we urge you to read this entire instruction manual carefully.

BASIC RULES FOR FIREARM SAFETY

1. **ALWAYS** treat every firearm as if it is loaded.
 - a. Never take anyone else's word that a firearm is unloaded.
 - b. Always visually inspect the chamber (and magazine, if equipped) yourself to ensure that the firearm is completely unloaded even if you just witnessed someone else perform this safety check.
 - c. Always remove the magazine and lock the bolt to the rear before laying down or handing someone a firearm.
 - d. Do not load your firearm until you are ready to shoot.
2. **NEVER** point the muzzle of a firearm at anything you do not wish to destroy.
 - a. Always pay close attention to the direction of your muzzle at all times when carrying your firearm.
 - b. Always unload your firearm before navigating difficult terrain (ie. fence crossings, hills, rocky or loose terrain, tree stands, etc.).
3. **ALWAYS** keep your finger off the trigger until your sights are on the target.
 - a. Keep your finger on the receiver or trigger guard until ready to fire.
4. **ALWAYS** be sure of your target and beyond before firing.
 - a. Understand what is behind your target should the bullet pass through.
 - b. Understand where the bullet will go should you miss your target.
 - c. Make sure your backstop is adequate to stop your bullets and large enough to accommodate for any misplaced shots.
 - d. Never shoot at or near rocks, hard surfaces, water, or any other area which may cause a ricochet or make your bullet go off course and cause injury, death, or damage.
5. **NEVER** leave your firearm unattended or unsecured.
 - a. Someone, including a child, may pick up and cause damage, injury, and death with your firearm.
 - b. Always instruct children and others in your household to respect firearms, and stress all aspects of firearm safety.
 - Refer to a qualified instructor for help in training, and supervise all activities closely.
 - c. **YOU ARE RESPONSIBLE FOR YOUR FIREARM!**

▲ WARNING: IF YOU TOUCH THE TRIGGER, YOU MUST EXPECT THE FIREARM TO FIRE. YOUR CAREFUL ADHERENCE TO THE SAFETY RULES CAN AVOID AN ACCIDENTAL DISCHARGE, AND YOU WILL THEREBY AVOID ACCIDENTAL INJURY AND DEATH. YOU ARE FULLY RESPONSIBLE FOR THE SAFE USE OF THE FIREARM AND FOR ANY DAMAGE, INJURY, OR DEATH CAUSED WITH IT.

▲ WARNING: THIS FIREARM MAY DISCHARGE WHEN A ROUND IS FED INTO THE CHAMBER OR IF IT IS DROPPED/JARRED VIOLENTLY REGARDLESS OF THE POSITION OF THE SAFETY SELECTOR AND WITHOUT THE TRIGGER BEING PULLED. THEREFORE, EXTRA CARE AND STRICT ADHERENCE TO THESE INSTRUCTIONS BY THE FIREARM USER IS MANDATORY FOR MINIMIZING THE RISK OF ACCIDENTS, DAMAGE, INJURIES, AND DEATH.

3.1 | CAUTIONS

▲ EQUIPMENT CAUTIONS

1. **ALWAYS BE SURE CHAMBER, BORE, SUPPRESSOR (IF EQUIPPED), AND ACTION ARE CLEAN AND CLEAR OF OBSTRUCTIONS.** Keep your firearm clean and well lubricated to ensure it will function correctly and safely.
2. **ALWAYS USE HIGH-QUALITY, COMMERCIALY MANUFACTURED AMMUNITION THAT IS CLEAN, DRY, IN GOOD CONDITION, AND OF THE APPROPRIATE CALIBER FOR YOUR FIREARM.** Firearm and ammunition manufacturers design their products within exacting engineering safety limits. Hand-loaded and remanufactured ammunition are sometimes outside those limits and can potentially cause malfunctions or damage to the firearm as well as cause injury, death, or damage to other property.
3. **ALWAYS CHECK THAT AMMUNITION IS CLEAN AND UNDAMAGED BEFORE CYCLING INTO CHAMBER.** Forcing damaged ammunition into the chamber could damage your firearm and could result in injury, death, or damage to property.

▲ SHOOTING CAUTIONS

1. **NEVER** consume alcohol or take drugs when handling firearms.
 - d. Seek the advice of a qualified doctor if you are taking medication to ensure you are fit to shoot and handle your firearm safely.
2. **ALWAYS** wear personal protective equipment (PPE), including but not limited to safety shooting glasses and ear protection, when shooting or near others who are shooting.
 - a. Failure to use proper ear protection will cause permanent hearing damage.
 - b. Failure to use protective shooting glasses can result in damage to eyes and blindness from flying particles, propellant gasses, ricocheting fragments, and other debris.
 - c. Always encourage spectators and others nearby to wear PPE.
3. **ALWAYS** keep your firearm's safety selector set to the "SAFE" position until your sights are on your target and you are ready to fire.
3. **ALWAYS** be careful of the direction your ejection port is pointed.
 - d. Spent cartridges can be ejected with enough force to cause injury to those standing near the shooter.
 - e. If the ejection port is obstructed your firearm will malfunction, becoming jammed with spent cartridges.
4. **NEVER** put your finger in the trigger guard until your sights are on the target and you are ready to shoot.
 - a. Keep your trigger finger on the stock or chassis, between the bolt handle and trigger guard opening, when you are not ready to fire.
5. **ALWAYS** be sure of your target and what is beyond it.
 - a. Bullets can travel great distances and still cause great damage and even death.
 - b. If there is any doubt about your target or backstop or anything else, **DO NOT SHOOT!**
6. **NEVER** fire a firearm if you suspect water is in the gun barrel.
 - a. If your firearm is exposed to heavy rain, fog, or other sources of water, open the action and tilt the firearm forward, allowing water to drain before firing.

- b. Be sure to clean and lubricate a wet firearm as soon as possible.
7. **NEVER** shoot your firearm near any flammable or explosive materials.
 - a. Understand that flames or burning gunpowder may exit from your muzzle or ejection port.
 8. **NEVER** fool around or act carelessly when handling or being around firearms.
 - a. Your carelessness can result in severe damage, injury, or death.
 9. **NEVER** follow another person when your firearm is loaded and ready to fire.
 - a. Keep the safety selector set to "SAFE."
 - b. Always pay attention to and control the direction of the muzzle.

▲ MALFUNCTION CAUTIONS

IF YOU EXPERIENCE A FAILURE TO FIRE:

1. **ALWAYS** keep the firearm pointed in a safe direction.
2. Wait 30 seconds.
 - a. If a hangfire (slow ignition) has occurred, the round will fire within 30 seconds. If round still does not fire after 30 seconds:
 - Cycle the bolt to eject the round.
 - Examine the primer.
 - If the firing pin indent on the primer is light, off center, or nonexistent, have your firearm examined by a competent gunsmith before continuing to fire.
 - If the firing pin indent on primer appears normal (in comparison with similar previously fired rounds), assume faulty ammunition; segregate the misfired round from all other live ammunition and empty cases, reload, and continue firing.

NOTE 1: It is normal for a light firing pin indent to appear on the primer of cartridges that have been fed into the chamber but not fired.

NOTE 2: Dispose of any misfired rounds in accordance with the ammunition manufacturer's instructions.

▲ CLEANING AND STORAGE CAUTIONS

1. **ALWAYS** make sure your firearm is completely UNLOADED before you attempt to clean or store your firearm.
2. **ALWAYS** store your firearm and ammunition SEPERATELY and SECURELY out of reach of anyone who should not have access to them.
 - a. Keep it out of reach of children and others who are not trained in the safe handling of firearms.
 - b. Keep firearms and ammunition locked securely when not in use to prevent them entering the wrong hands.

▲ FIREARM ABUSE CAUTIONS

1. **NEVER** abuse or mistreat your firearm.
 - c. Keep, carry, and use it carefully.
2. **NEVER** use it for any purpose other than shooting.
3. **NEVER** alter parts.

3.2 | TRIGGER GUARD

The trigger guard is the strip below the trigger to protect it from damage and to help prevent accidental discharge. The integrated trigger guard of the Daniel Defense DELTA 5 is oversized to accommodate shooters wearing gloves.

▲ WARNING: KEEP YOUR FINGER OUT OF THE TRIGGER GUARD UNTIL YOU ARE READY TO SHOOT.

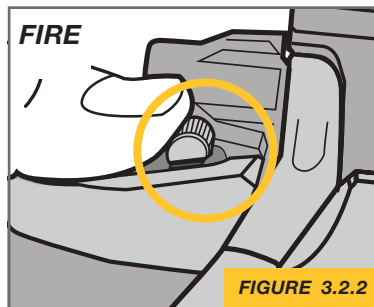
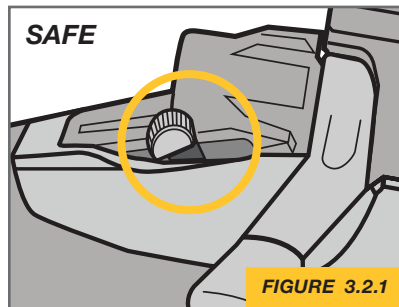
▲ WARNING: USE EXTRA CAUTION WHEN USING GLOVES TO AVOID AN ACCIDENTAL/NEGLINGENT DISCHARGE.

3.3 | SAFETY MECHANISM

DELTA 5™

The safety is located at the rear of the action on the right hand side (FIGURE 3.2.1), and has two positions: SAFE and FIRE. Daniel Defense DELTA 5 Rifles utilize precision triggers with integrated safeties that block the trigger from engaging the sear. The safety is in the SAFE position when moved all the way to the rear (FIGURE 3.2.1), and in the FIRE position when pushed forward (FIGURE 3.2.2).

NOTE: The safety featured on Daniel Defense firearms is a mechanical safeguard. As with all mechanical systems, failures within this system are possible and may not be visible to the operator. **ACTIVATING THE SAFETY SELECTOR LEVER TO THE “SAFE” POSITION DOES NOT MEAN THE FIREARM IS INCAPABLE OF FIRING IF MISHANDLED OR DROPPED.**



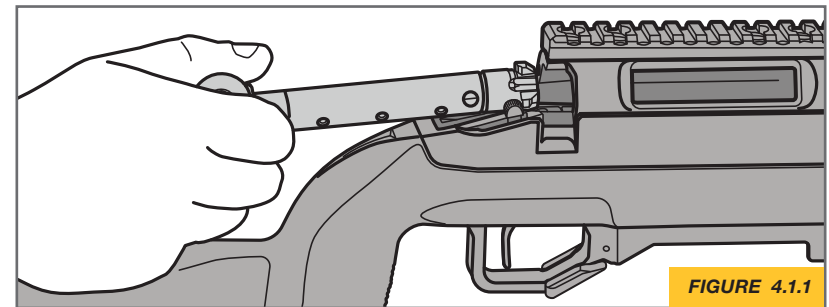
4.0 | FUNCTION

Daniel Defense DELTA 5 is a manually operated magazine fed firearms designed and manufactured to the highest level of precision and accuracy. This section will detail the function of this rifle, as well as key characteristics in its operation such as installation/removal of the bolt assembly, loading of the magazine, and the mechanical process of firing.

4.1 | BOLT INSTALLATION / REMOVAL

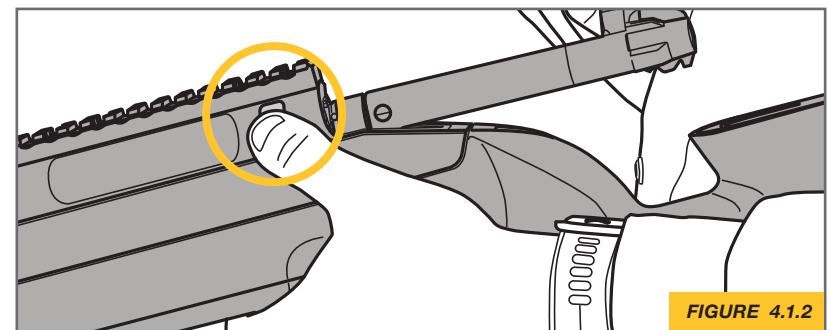
BOLT INSTALLATION:

1. Verify that the chamber and barrel are free from obstruction, and that there is not a cartridge or case in the chamber.
2. If the detachable magazine is inserted, activate the magazine release and remove it.
3. Align the locking lugs of the bolt with the lug ways in the action. The lugs can only be inserted in the correct alignment (FIGURE 4.1.1).
4. Depress the bolt stop on the left side of the receiver, and slide the bolt assembly past the stop.
5. Lock the bolt into the barrel.
6. Cycle the actions a few times to ensure proper function.



BOLT REMOVAL:

1. Lift bolt handle and retract bolt to the rear.
2. Verify that the rifle is unloaded and that the chamber is empty.
3. If the detachable magazine is inserted, activate the magazine release and remove it.
4. Retract the bolt just short of the bolt stop located on the left of the receiver.
5. Depress the bolt stop lever, and retract the bolt assembly clear of the action (FIGURE 4.1.2).



4.2 | AMMUNITION SELECTION

▲ WARNING: NOT ALL AMMUNITION WILL PRODUCE THE SAME RESULTS.

Daniel Defense recommends that you only use high-quality, commercially available ammunition that is clean, dry, in good condition and of the appropriate caliber for your firearm. The use of remanufactured or hand-loaded ammunition is not recommended. If you have any questions about the suitability of a particular type of ammunition, please contact the ammunition manufacturer or Daniel Defense Technical Support for more information.

NOTE: DANIEL DEFENSE FIREARMS THAT ARE CHAMBERED IN .308 WINCHESTER CAN SAFELY FIRE BOTH .308 WINCHESTER AND 7.62 X 51MM NATO AMMUNITION.

All Daniel Defense firearms are designed to function with a variety of brands and types of factory-manufactured ammunition in the appropriate caliber. Ammunition, and in particular, the projectiles the ammunition is loaded with are designed for a particular task, such as long-range target shooting, frangible target shooting, personal/home defense, big-game hunting, varmint hunting, etc. It is important to choose ammunition that is appropriate for the application. Consult with the information provided by the ammunition manufacturer when choosing the appropriate ammunition.

▲ WARNING: IT IS VERY IMPORTANT TO CHOOSE THE APPROPRIATE AMMUNITION (VELOCITY AND BULLET DESIGN) FOR THE INTENDED APPLICATION

Daniel Defense recommends that after you read and understand this manual, you go to the range and fire different types of ammunition of the appropriate caliber and bullet design for your firearm and its intended use (target shooting, hunting, etc.). Once you find the ammunition that functions best for your application, keep using it. To protect you and others from danger, and your firearm from being severely damaged, Daniel Defense does not recommend the use of any hand-loaded or remanufactured ammunition.

4.3 | LOADING

TO LOAD A MAGAZINE:

▲ WARNING: ALWAYS CHECK THAT YOU ARE USING THE APPROPRIATE MAGAZINE FOR THE CALIBER OF THE PLATFORM AND THAT THE MAGAZINE IS CLEAN AND IN GOOD CONDITION.

THE FOLLOWING CALIBERS ARE COMPATIBLE WITH MAGPUL® PMAG® 7.62 AC™ OR EQUIVALENT AICS MAGAZINES:

- 7.62x51mm NATO
- .308 Winchester
- 6.5 Creedmoor
- 7mm-08 Remington

▲ WARNING: READ AND UNDERSTAND ALL SAFETY INSTRUCTIONS (SECTION 3).

1. Use only ammunition recommended in this instruction manual as suitable for your firearm and application. The caliber your firearm is chambered in will be engraved on the barrel near the chamber.
2. Examine the ammunition, particularly on and around the primer. Look for dents, scratches, and other signs of damage. Do not load damaged ammunition.
3. With front of the magazine facing forward, place a round between and in front the feed lips of the magazine with the bullet forward. Press the round down and slide it backwards until it is held by the magazine lips (**FIGURE 4.3.1**). Place next round on top of previous round and repeat until desired number is loaded.

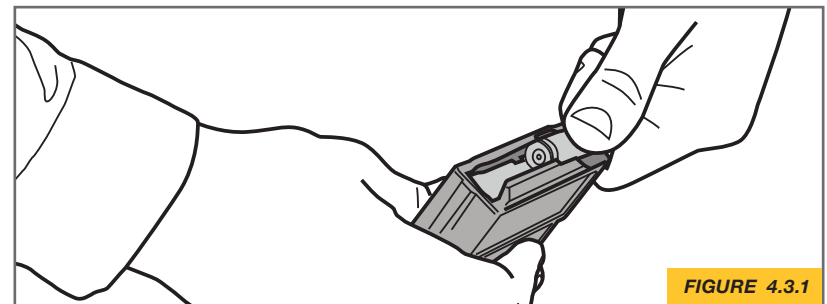


FIGURE 4.3.1

TO LOAD THE FIREARM:

▲ IMPORTANT: READ SAFETY INSTRUCTIONS (SECTION 3) – KEEP YOUR FIREARM POINTING IN A SAFE DIRECTION AND DO NOT TOUCH THE TRIGGER.

1. Set safety to the SAFE position.
2. Remove empty magazine by depressing the magazine release located just forward of the trigger guard, and extract magazine from magwell (FIGURE 4.3.2).
3. Lift bolt handle by rotating it up toward the top of the rifle, and retract bolt all the way to the rear of the action.
4. With bullet points facing forward, insert the loaded magazine into the magazine well and push upward until it stops and is locked by the magazine catch. When the magazine is inserted, pull down on the magazine to ensure it is fully seated in the magazine well.
5. Keeping fingers away from the ejection port opening, grasp the bolt handle and firmly push the bolt forward, stripping the top round from the magazine, and continue forward motion until the bolt stops, chambering the round.
6. Rotate bolt handle down, locking the bolt into the barrel extension.

Note: Magazine can also be inserted on a closed bolt.

▲ WARNING: FIREARM CAN FIRE WITH MAGAZINE REMOVED.

▲ WARNING: NEVER LEAVE YOUR FIREARM COCKED AND LOCKED, READY TO FIRE WITHOUT SELECTOR LEVER BEING SET TO SAFE, AS THIS IS THE FIRE CONDITION AND IS EXTREMELY DANGEROUS. FIREARMS CAN EASILY BE ACCIDENTALLY DISCHARGED, CAUSING INJURY, DEATH, OR DAMAGE TO PROPERTY.

▲ WARNING: THIS FIREARM MAY DISCHARGE ACCIDENTALLY WHEN A ROUND IS FED INTO THE CHAMBER IF IT IS DROPPED OR RECEIVES A BLOW TO THE MUZZLE OR FRONT OF THE FIREARM. (THIS CAN OCCUR REGARDLESS OF THE POSITION OF COCKING PIECE OR ANY OF THE VARIOUS SAFETY DEVICES.) THEREFORE, EXTRA CARE AND STRICT ADHERENCE TO THESE INSTRUCTIONS BY THE FIREARM'S USER IS MANDATORY FOR MINIMIZING THE RISK OF ACCIDENTS.

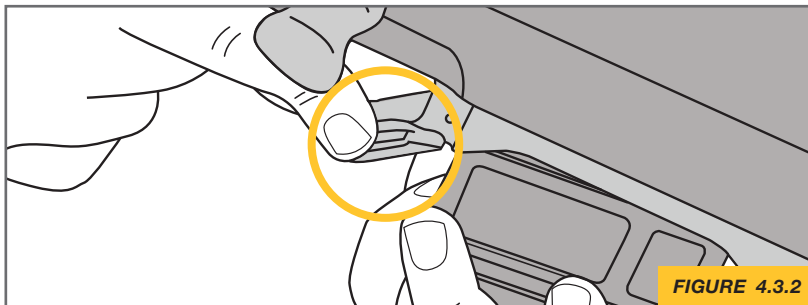


FIGURE 4.3.2

4.4 | UNLOADING

▲ WARNING: ALWAYS UNLOAD YOUR FIREARM IMMEDIATELY AFTER USE AND PRIOR TO CLEANING AND STORAGE TO MINIMIZE THE RISK OF ACCIDENTAL DISCHARGE.

TO UNLOAD:

▲ IMPORTANT: READ SAFETY INSTRUCTIONS. KEEP YOUR FIREARM POINTING IN A SAFE DIRECTION. DO NOT TOUCH THE TRIGGER AND KEEP HANDS AWAY FROM THE EJECTION PORT.

1. Set safety to the SAFE position.
2. Remove magazine by depressing magazine release just forward of trigger guard, and remove magazine from magwell.
3. Lift bolt handle by rotating it up toward the top of the rifle, and retract bolt all the way to the rear of the action. If there was a cartridge or empty cartridge case in the chamber, it will be ejected at this time.
4. **LOOK INTO CHAMBER THROUGH EJECTION PORT TO ENSURE THAT CHAMBER IS EMPTY.**
5. Grasp bolt handle and push bolt forward until it stops.
6. Rotate bolt handle down, locking the bolt into the barrel extension.
7. Remove remaining live rounds by sliding them forward out of the magazine.
8. Collect live ammunition for safe storage and spent cartridge cases for disposal.

4.5 | FIRING THE RIFLE

When a Daniel Defense DELTA 5 is loaded, with a round in the chamber and the safety in the FIRE position, it is ready to fire. In this condition, the sear retains the cocking piece in the rearward position, compressing the spring of the firing pin assembly. When the trigger is pulled, the trigger actuates the sear and disengages it from the cocking piece. The firing pin assembly, no longer being held in place, moves forward suddenly under force of the compressed spring. The firing pin tip protrudes forward of the bolt face, striking the cartridge primer, which in turn detonates, igniting the gun powder within the cartridge. The expanding gasses of the burning gun powder generate tremendous pressure, forcing the bullet down the bore of the barrel. Rifling in the gun barrel bore imparts spin on the bullet, stabilizing it during flight once it exits the muzzle.

Before firing the rifle, practice your stance, sight picture, and breathing for steady aim with your firearm UNLOADED. Practice firing on a range before using your firearm for any other type of shooting.

▲ WARNING: ALWAYS WEAR AND ENCOURAGE OTHERS TO WEAR EAR PROTECTION WHEN SHOOTING, ESPECIALLY ON A RANGE. WITHOUT EAR PROTECTION, THE NOISE FROM YOUR FIREARM AND OTHER FIREARMS CLOSE TO YOU COULD LEAVE A “RINGING” IN YOUR EARS FOR SOME TIME AFTER FIRING, WHILE THE CUMULATIVE LONG-TERM EFFECT COULD BE PERMANENT HEARING LOSS.

▲ WARNING: ALWAYS WEAR AND ENCOURAGE OTHERS TO WEAR PROTECTIVE SHOOTING GLASSES. FLYING PARTICLES COULD DAMAGE EYES AND CAUSE BLINDNESS; PROTECTIVE SHOOTING GLASSES SHOULD PREVENT SUCH INJURY.

▲ WARNING: READ SAFETY INSTRUCTIONS IN SECTION 3. KEEP YOUR FIREARM POINTING IN A SAFE DIRECTION. DO NOT TOUCH THE TRIGGER AND KEEP HANDS AWAY FROM THE EJECTION PORT.

1. Load the firearm as previously described.
2. Grasp firearm with one hand on forearm and other hand on pistol grip with index finger resting along outside of trigger guard. Raise firearm and pull buttstock firmly into shoulder; adjust buttstock as necessary. (Alternatively, sit or lie prone, with the handguard supported by a rest, and pull buttstock firmly into shoulder with firing hand).
3. Aim by aligning target with reticle of rifle scope.
4. Move safety to FIRE.
5. Keeping steady aim, place index finger on trigger and squeeze straight back until trigger releases the striker. Don't jerk the trigger as you will disturb your aim and degrade your accuracy.
6. To fire the second and subsequent rounds, grasp bolt handle and rotate the bolt up.
7. Retract bolt all the way to the rear, ejecting the empty cartridge case.
8. Push bolt forward, stripping next round from the magazine, until the bolt stops.
9. Rotate the bolt handle back down, locking the bolt in place.
10. The rifle can now be fired again. Repeat this process, as necessary or until the magazine is empty.
11. Release trigger, remove finger from trigger, and set safety to “SAFE.”

4.6 | ADJUSTABLE STOCK

CHEEK RISER (COMB) HEIGHT ADJUSTMENT:

Using the thumb screw initially located on the right side of the rifle the user can adjust the cheek riser to the correct position for their needs (FIGURE 4.6.1).

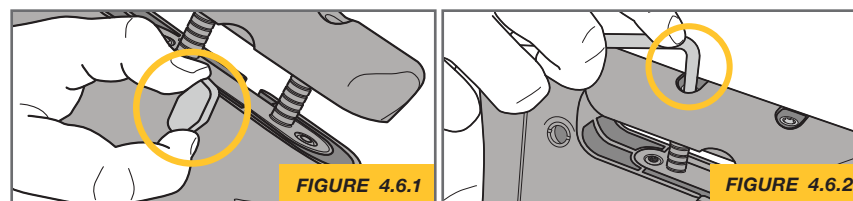
1. Turn thumb screw left to loosen.
2. Set cheek riser at desired height by manually moving it up or down.
3. Turn thumb screw right to tighten, fixing the cheek riser in the set position.

Note: Grooves in either post facilitate use of an e-clip so that the desired height can be set when removing the cheek riser to remove the bolt.

CHEEK RISER OFF BORE AXIS ADJUSTMENT:

1. Tighten down the thumb screw to lock riser posts in place.
2. Loosen two torx plus fasteners at the top of the cheek piece (FIGURE 4.6.2).
3. Set desired angle and tighten both fasteners. Be careful not to over tighten.

Note: Two Torx Plus® fasteners attach the clamp assembly to the stock. Left handed shooters can remove both screws to reverse the assembly and place thumb screw on the left side if desired. Fastener location is biased in the separate clamp so that it can only be installed in the correct orientation.



BUTTPAD ADJUSTMENT:

The buttpad and spacers of Daniel Defense Bolt Action Rifle stocks are designed to allow the buttpad and spacer assembly to move vertically up to 1 inch. Provisions in the stock prevent the buttpad assembly from moving too high and losing contact with the bottom fastener.

1. Loosen the two Torx Plus® fasteners 2 turns at a time and adjust buttpad to desired height.
2. To add the spacers, loosen the buttpad about 1/2" more than the desired spacer width and install spacers from the top making sure the two tabs on the buttpad interface with the tab recesses in the spacer.
3. Tighten down the two fasteners in 2 turn increments. The incremental turning prevents any possibility of the buttpad rubber separating from the substrate.

Note: All Torx Plus® fasteners are the same drive and a wrench is included with each rifle.

4.7 | MOUNTING A RIFLE SCOPE

Daniel Defense Bolt Action Rifles come standard with a 20 MOA MIL-STD-1913 (Picatinny) Rail attached to the top of the action (FIGURE 4.7.1). This allows for the mounting of Picatinny style rifle scope bases and rings. Follow the rifle scope manufacturer's instructions for mounting to the rifle.

▲ WARNING: ALLOW FOR PROPER EYE RELIEF WHEN POSITIONING A RIFLE SCOPE. UNDER RECOIL, A RIFLE SCOPE CAN STRIKE THE SHOOTER'S FACE IF POSITIONED TOO FAR BACK ON THE RIFLE.

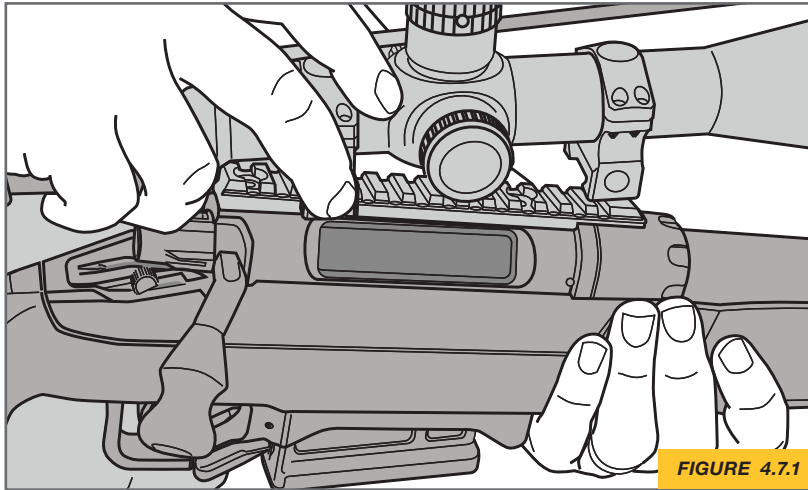


FIGURE 4.7.1

5.0 | MAINTENANCE

Your Daniel Defense firearm will perform better, last longer and remain safer when it is properly maintained. Follow the instructions in this section to keep your firearm in good condition.

▲ WARNING: MAKE SURE THAT THE MAGAZINE IS REMOVED AND THAT THE FIREARM IS UNLOADED SO THAT IT CANNOT BE FIRED.

▲ WARNING: ALLOW FIREARM TO COOL TO ROOM TEMPERATURE.

▲ WARNING: ALWAYS WEAR SAFETY GLASSES TO PROTECT YOUR EYES FROM NOT ONLY SOLVENTS AND OILS BUT ALSO PARTS THAT ARE UNDER SPRING TENSION WHICH CAN BE PROPELLED WITH ENOUGH FORCE TO CAUSE SEVERE INJURY.

5.1 | FIELD STRIP

TO DISASSEMBLE THE RIFLE FOR CLEANING OR INSPECTION:

1. Release detachable magazine.
2. Lift bolt handle and retract to the rear.
3. Verify that the chamber is empty and the bore is free from obstruction.
4. Retract the bolt just short of the bolt stop located on the left of the receiver.
5. Depress the bolt stop lever, and retract the bolt assembly clear of the action (FIGURE 4.1.2).

TO REASSEMBLE THE RIFLE:

1. Depress bolt stop lever on left side of the receiver.
2. Align bolt lugs to lug ways in the action, and slide bolt past bolt stop (FIGURE 4.1.1).
3. Lock action into barrel, and then cycle the action a few times to ensure proper assembly.

5.2 | WHEN TO CLEAN

BEFORE FIRING, make sure that the barrel and the chamber are clean and dry. After firing, clean your firearm as soon as possible so that the job will be easier and there will be less opportunity for corrosion to start.

PERIODICALLY, when your firearm has not been fired, we suggest you clean it when necessary and at least once or twice a year in a temperate climate, or as often as once a week in a tropical climate.

IF YOU CARRY A LOADED FIREARM, unload it and clean when necessary and at least once a month. If you get your firearm wet, clean it as soon as possible.

5.3 | HOW TO CLEAN

MATERIALS:

- Personal Protective Equipment: chemical-resistant gloves, mask, and eye protection.
- Good-quality cleaning rod (coated is preferable for protecting barrel)
- Brass jag or loop of correct caliber (6.5mm = .260 caliber, 7mm = .284 caliber, .308 WIN/7.62 NATO = .30 caliber)
- Cotton bore-cleaning patches (cut to size to fit snugly in bore)
- Nylon bore brush of correct caliber (see above for size)
- Nylon chamber brush of correct caliber
- Nylon bristle all-purpose cleaning brush or toothbrush
- Firearm cleaning solution: Use only high-quality firearm cleaning solutions when cleaning your Daniel Defense firearm. There are many good options when it comes to cleaning your firearm. Check with the cleaning solution's manufacturer to see if it is correct for your application, and be sure to follow their directions carefully.

▲ WARNING: BE SURE TO REMOVE OR NEUTRALIZE ANY AMMONIA-BASED CLEANING SOLUTIONS FROM THE FIREARM AS THEY CAN CAUSE PERMANENT DAMAGE.

OPTIONAL BUT RECOMMENDED EQUIPMENT:

- Bore guide: this helps to prevent users from damaging the barrel by keeping cleaning rod in line with the bore.
- Bore light: inserted at muzzle, a bore light will help user inspect rifling from the rear of receiver while keeping firearm pointed in a safe direction.
- Chamber mop: helps clean chamber and lead more effectively than chamber brush alone.

PROCEDURE:

▲ WARNING: ENSURE THAT THE FIREARM IS NOT LOADED.

▲ WARNING: ALLOW FIREARM TO COOL TO ROOM TEMPERATURE BEFORE ATTEMPTING CLEANING/MAINTENANCE.

▲ WARNING: USE PROPER PROTECTIVE EQUIPMENT: GOGGLES, MASK, AND CHEMICAL GLOVES.

▲ WARNING: IMPROPER CLEANING TECHNIQUES CAN PERMANENTLY DAMAGE FIREARM AND LEAD TO DEGRADATION IN ACCURACY AND REDUCED LIABILITY.

▲ WARNING: CLEANING FIREARMS, DISCHARGING FIREARMS IN POORLY VENTILATED AREAS, OR HANDLING AMMUNITION MAY RESULT IN EXPOSURE TO LEAD AND OTHER HARMFUL SUBSTANCES WHICH ARE KNOWN TO THE STATE OF CALIFORNIA TO CAUSE BIRTH DEFECTS, REPRODUCTIVE HARM, AND OTHER SERIOUS PHYSICAL INJURY. HAVE ADEQUATE VENTILATION AT ALL TIMES. BE SURE TO ALWAYS WASH HANDS THOROUGHLY AFTER POSSIBLE EXPOSURE.

1. Strip for cleaning as previously described, removing the bolt assembly from the action.

Note: Avoid contact between the cleaning rod and the muzzle as resultant wear will greatly reduce accuracy.

2. Attach a cotton flannel patch to end of the cleaning rod, insert it in the chamber and pass the rod and patch down through the barrel and out the muzzle. Remove used patches at muzzle to avoid pulling it back through the bore. Repeat, changing patches with each pass through the barrel, until the last patch comes out clean.

Note: Avoid pulling dirty patches back through the barrel.

3. Visually inspect the barrel; if it is clean, proceed directly with step 8, but if it remains dirty, continue with step 4.

Note: Items 4 & 5 should be applicable only after firing.

4. Attach nylon wire-bristle bore-cleaning brush to cleaning rod and dip brush in firearm-cleaning solution. Thoroughly scrub out barrel, passing the brush all the way through before reversing the movement. If you try to change direction with the brush in barrel, the brush can get stuck and cause damage to barrel.
5. Attach the larger chamber-cleaning brush to the cleaning rod, dip the brush in bore-cleaning solution, and clean the chamber. Use a minimum of five plunge strokes and three 360° clockwise rotational strokes.
6. Repeat steps 2 and 3 above.
7. Use an all-purpose nylon cleaning brush and firearm-cleaning solution to clean all carbon and powder residue from inside the action, barrel extension, bolt locking lugs, extractor, and outside of the bolt assembly.

▲ IMPORTANT: DO NOT USE A WIRE BRUSH ON ALUMINUM SURFACES SUCH AS THE MINI-CHASSIS AND BOTTOM METAL. IF CLEANING IS NECESSARY, AVOID SCRATCHES AND WEAR BY USING A SMALL NYLON BRUSH OR FLANNEL PATCH.

8. Wipe all components clean and dry and inspect them for excessive wear, corrosion or mechanical damage. If any of these conditions are discovered, have them corrected before firing again. (See Servicing and Repair later in this section.)
9. Lightly dampen a flannel patch with gun oil and pass it once through the barrel, leaving a thin film of oil on the inside surface. Leave this film of oil on the surface if firearm is to be stored. If it is not being stored, or if it is being removed from storage for use, pass the dry patch through the barrel and chamber to remove as much excess oil as possible.
10. Check that flannel or brush bristles have not become lodged in any part of firearm, then lightly lubricate (See Section 5.4).
11. Remove any gun-cleaning solution, and fingerprints from the outside surfaces of the firearm. (Finger moisture, if left, could start a corrosion process.)
12. Reassemble the firearm:
 - a. Depress bolt stop on left side of action, and slide bolt assembly in from the rear.
 - b. Lock the bolt into the chamber.
 - c. Cycle the action a few times to ensure proper function.

5.4 | LUBRICATION / PRESERVATION

Use only high-quality gun oil when lubricating your Daniel Defense firearm. There are many good options when it comes to lubricating your firearm. Check with the lubricant's manufacturer to see if it is correct for your application.

LUBRICATION POINTS:

- Cocking Channel
- Bolt Body
- Lugways
- Cocking Cam

Note: Do not lubricate the trigger or safety!

FIGURE 5.4.1 BOLT LUBRICATION POINTS

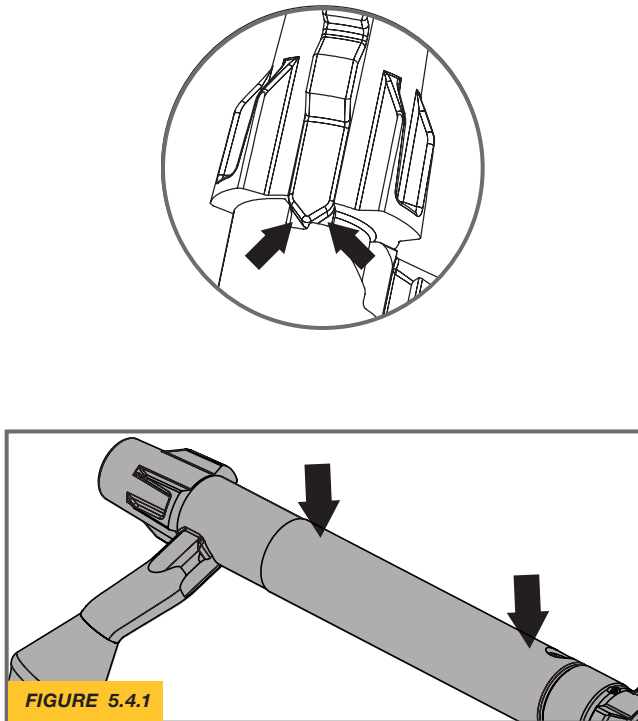
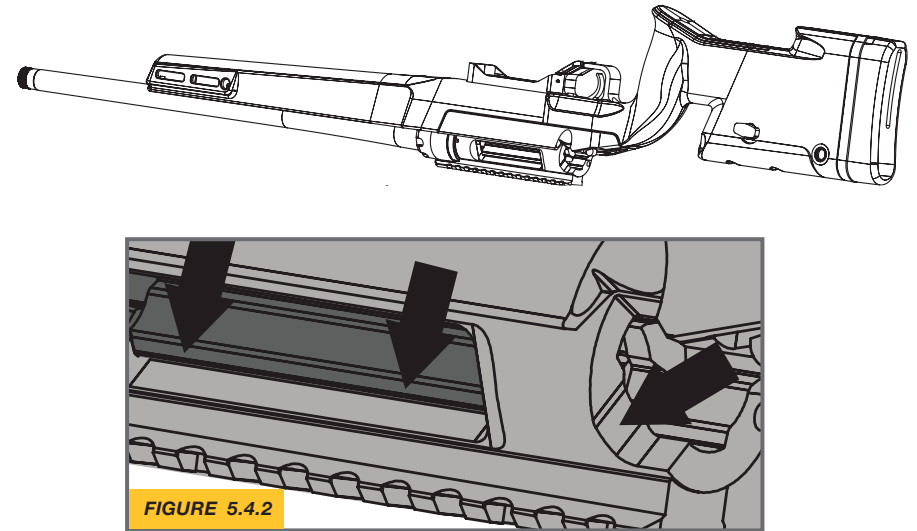
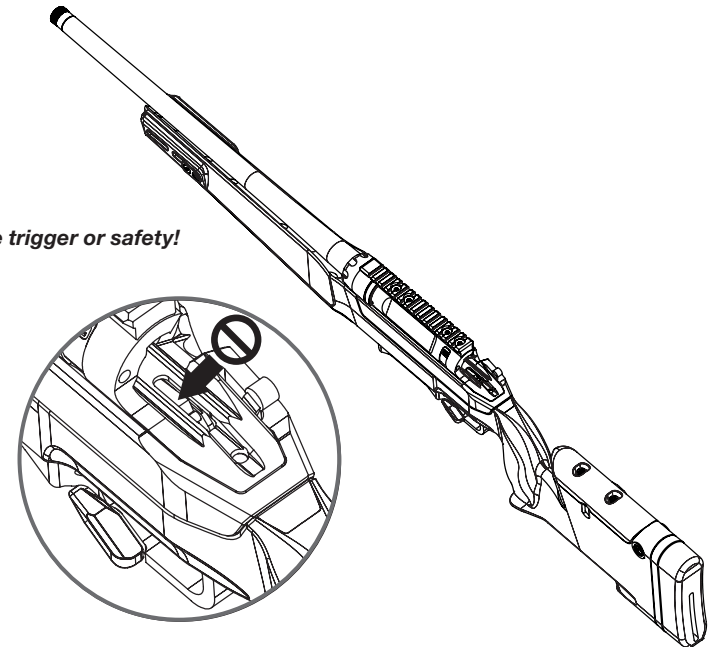


FIGURE 5.4.2 ACTION LUBRICATION POINTS



Do not lubricate trigger or safety!



5.5 | CLEANING THE MAGAZINE

For all cleaning, maintenance, and care instruction, please refer to the magazine manufacturer.

5.6 | STORAGE

▲ WARNING: ALWAYS UNLOAD YOUR FIREARM FOR STORAGE AND STORE AMMUNITION SEPARATELY.

Store your firearm and ammunition securely locked in separate locations out of the reach and sight of children. (Children are naturally curious and do not always believe or understand the real danger and responsibilities of firearms.)

Note: Do not store your firearm in an airtight container, and do not seal or attempt to seal the barrel to exclude dust, as an internal steel surface is more likely to corrode.

5.7 | SERVICING AND REPAIR

Should your firearm require adjustment or repair, make sure it is NOT LOADED and call Daniel Defense for specific instructions on where to send the firearm. For spare parts, seek advice from your dealer, who should have up-to-date information on how to best obtain genuine Daniel Defense parts. An illustration and list of part names are included in the next section of this instruction manual to help you identify the parts you need, but it is most important to note that all parts are not available for sale. Those parts that are available should be installed by Daniel Defense or by a competent gunsmith. When ordering parts, please provide the part name as it is given on the parts list along with the serial number of the firearm.

▲ IMPORTANT: IF YOU MAKE UNAUTHORIZED ADJUSTMENTS OR USE UNAUTHORIZED PARTS, DANIEL DEFENSE WILL NOT ASSUME RESPONSIBILITY FOR THE FUNCTIONING OF THIS FIREARM.

Note: THIS FIREARM IS MANUFACTURED TO PERFORM PROPERLY WITH THE ORIGINAL PARTS AS DESIGNED. IT IS YOUR DUTY TO MAKE SURE ANY PARTS YOU BUY ARE INSTALLED CORRECTLY AND THAT NEITHER REPLACEMENTS NOR ORIGINALS ARE ALTERED OR CHANGED. THIS IS WHY SENDING IT BACK TO THE MANUFACTURER IS HIGHLY RECOMMENDED. YOUR FIREARM IS A COMPLEX TOOL WITH MANY PARTS THAT MUST RELATE CORRECTLY TO OTHER PARTS. PUTTING A FIREARM TOGETHER INCORRECTLY OR WITH MODIFIED PARTS CAN RESULT IN A DAMAGED FIREARM AND DANGER, INJURY, OR DEATH TO YOU AND OTHERS THROUGH MALFUNCTION. ALWAYS LET A QUALIFIED GUNSMITH WORK ON YOUR FIREARM AND CHECK ANY WORK YOU THINK WAS NOT PERFORMED BY A GUNSMITH. WE AT DANIEL DEFENSE THINK THIS IS A SMALL PRICE TO PAY FOR FIREARMS SAFETY.

Note: Various Federal and State laws and local ordinances govern the transfer and transportation of firearms. Take the advice of the dealer in your state on how to send your firearm to Daniel Defense. Before shipping your firearm, take note of some important points to remember:

▲ WARNING: MAKE SURE THE MAGAZINE IS EMPTY AND THE FIREARM IS NOT LOADED. (SEE PAGE 26)

1. Prior to sending a firearm to Daniel Defense, an RMA (Return Merchandise Authorization) can be obtained by calling 1-866-554-GUNS (4867).
2. Do not send presentation boxes, accessories, or explosive components.
3. Daniel Defense's address for receiving packages is:

**DD, INC.
101 WARFIGHTER WAY
BLACK CREEK, GA 31308**

Note: Do not indicate the contents or include "DANIEL DEFENSE" in the address on the package so that an inquisitive thief is not attracted to it by such information.

4. Make sure that the package contents are insured against loss or theft.

FIREARM RECORD

Daniel Defense Product: _____

Firearm Serial #: _____

Suppressor Serial #: _____

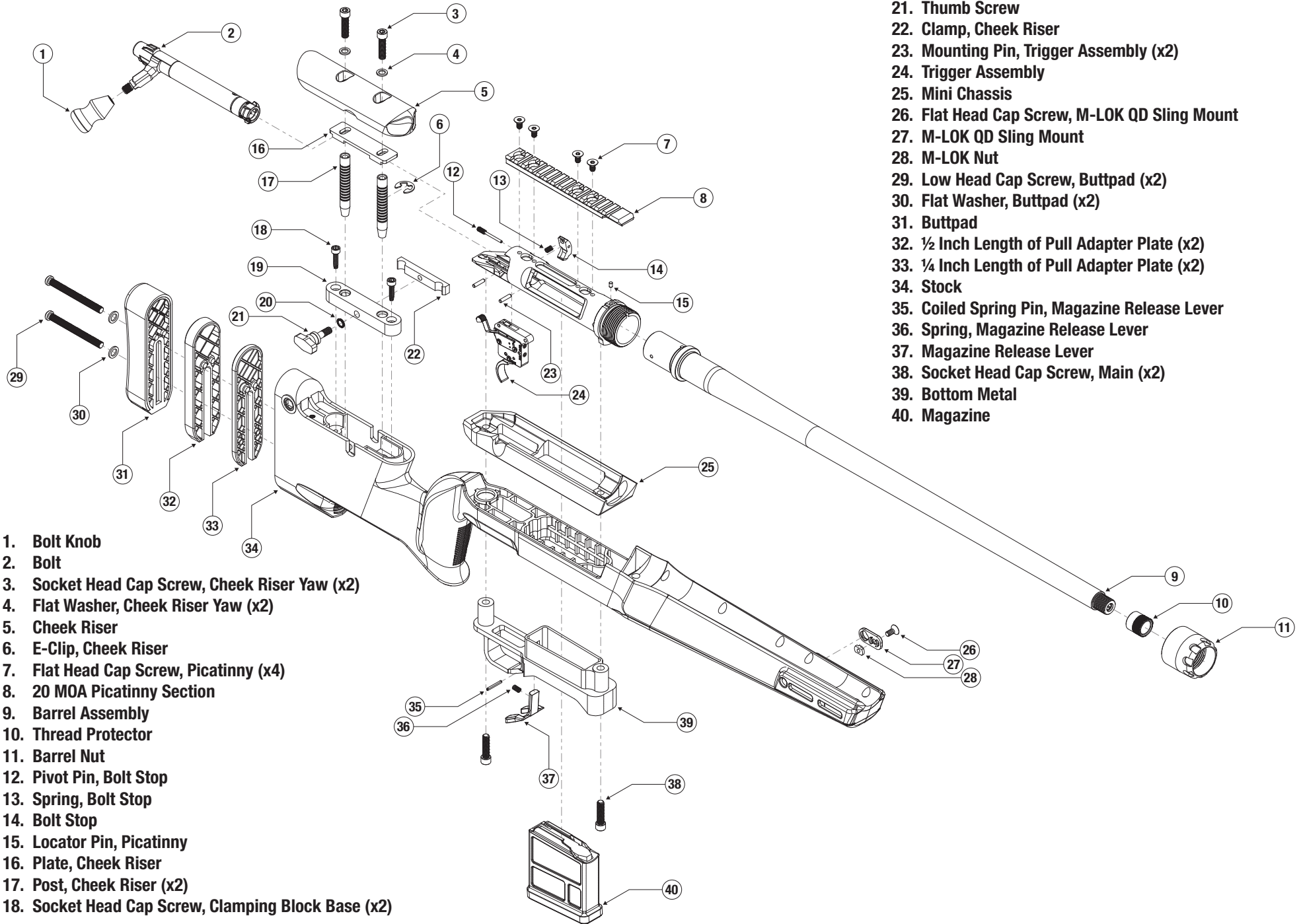
Caliber: _____

Purchased From: _____

Date Purchased: _____

Purchase Price: _____

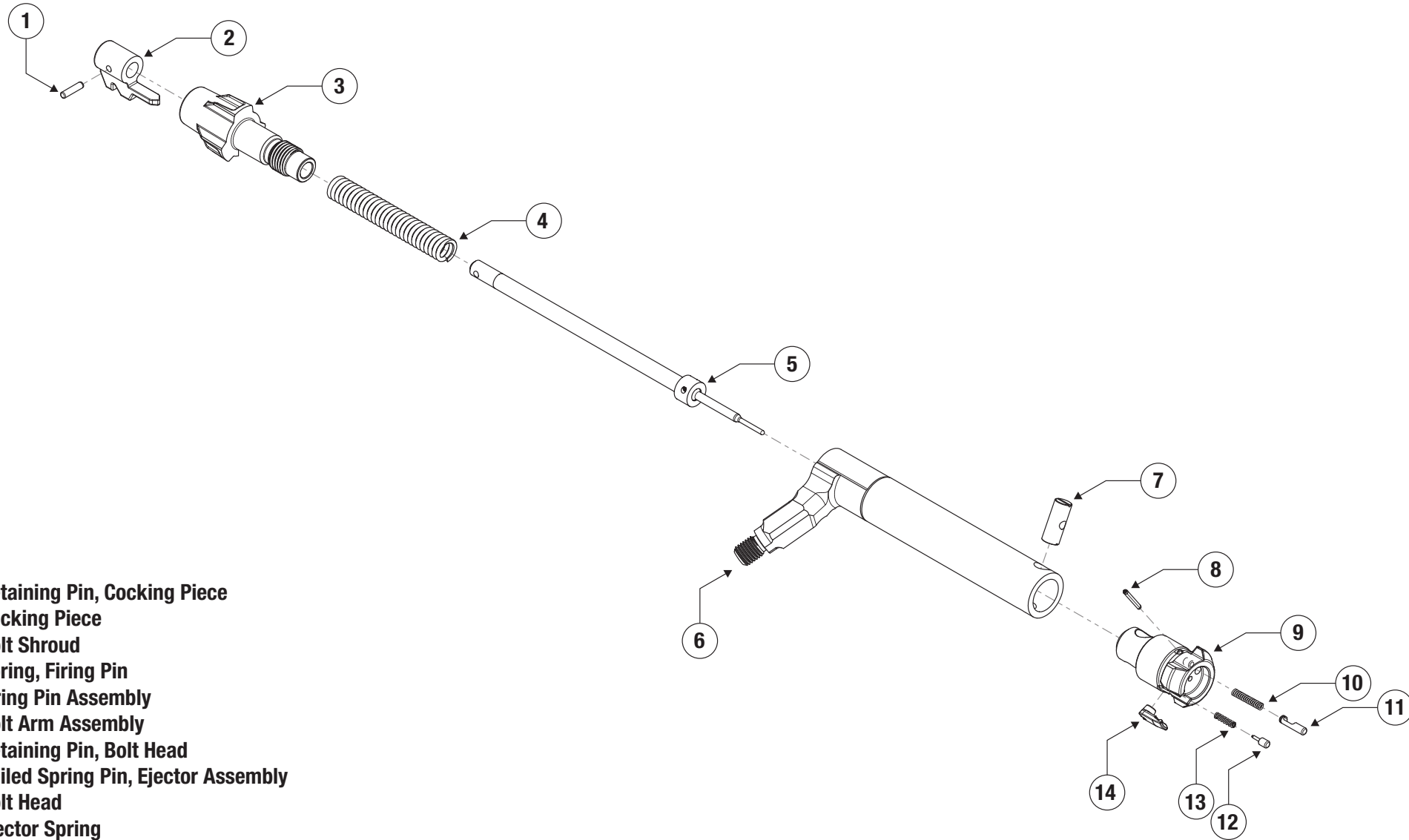
6.0 | PARTS ILLUSTRATIONS AND LISTS



1. Bolt Knob
2. Bolt
3. Socket Head Cap Screw, Cheek Riser Yaw (x2)
4. Flat Washer, Cheek Riser Yaw (x2)
5. Cheek Riser
6. E-Clip, Cheek Riser
7. Flat Head Cap Screw, Picatinny (x4)
8. 20 MOA Picatinny Section
9. Barrel Assembly
10. Thread Protector
11. Barrel Nut
12. Pivot Pin, Bolt Stop
13. Spring, Bolt Stop
14. Bolt Stop
15. Locator Pin, Picatinny
16. Plate, Cheek Riser
17. Post, Cheek Riser (x2)
18. Socket Head Cap Screw, Clamping Block Base (x2)

19. Clamping Block Base
20. Serrated Lock Washer, Thumb Screw
21. Thumb Screw
22. Clamp, Cheek Riser
23. Mounting Pin, Trigger Assembly (x2)
24. Trigger Assembly
25. Mini Chassis
26. Flat Head Cap Screw, M-LOK QD Sling Mount
27. M-LOK QD Sling Mount
28. M-LOK Nut
29. Low Head Cap Screw, Buttpad (x2)
30. Flat Washer, Buttpad (x2)
31. Buttpad
32. ½ Inch Length of Pull Adapter Plate (x2)
33. ¼ Inch Length of Pull Adapter Plate (x2)
34. Stock
35. Coiled Spring Pin, Magazine Release Lever
36. Spring, Magazine Release Lever
37. Magazine Release Lever
38. Socket Head Cap Screw, Main (x2)
39. Bottom Metal
40. Magazine

6.0 | PARTS ILLUSTRATIONS AND LISTS (CON'T)



1. Retaining Pin, Cocking Piece
2. Cocking Piece
3. Bolt Shroud
4. Spring, Firing Pin
5. Firing Pin Assembly
6. Bolt Arm Assembly
7. Retaining Pin, Bolt Head
8. Coiled Spring Pin, Ejector Assembly
9. Bolt Head
10. Ejector Spring
11. Ejector
12. Extractor Plunger
13. Extractor Spring
14. Extractor

7.0 | WARRANTY STATEMENT

All Daniel Defense products carry a 100% satisfaction guarantee against defects in original materials and workmanship. If your Daniel Defense product shows evidence of such defects, Daniel Defense will make every accommodation to fix, repair, or replace your product expeditiously. Daniel Defense does not warranty products or damage caused to our products by the correct or incorrect installation of other manufacturer's products. Be sure to retain your sales slip as proof of purchase date when making a claim.



8.0 | HEALTH AND ENVIRONMENTAL WARNING

Discharging firearms in poorly ventilated areas, cleaning firearms, or handling ammunition may result in exposure to lead and other substances known to cause birth defects, reproductive harm, cancer, and other serious physical injury. Have adequate ventilation at all times. Wash hands thoroughly after exposure.