



VORTEX[®]
2018 PRODUCT CATALOG





Thank you for choosing Vortex Optics. We respect people like you, people who appreciate meticulously designed, precision-engineered optics.

If you're looking for product information, you'll find it in this half of the book. Flip to the other side for some light reading and a window into the Vortex Life.

We are here to answer any questions you may have and look forward to personally welcoming you to the Vortex Nation.

TABLE OF CONTENTS

RIFLESCOPES

Razor® HD AMG™	– p. 6-7
Razor® HD Gen II	– p. 8-9
Razor® HD Gen II-E	– p. 10-11
Razor® HD	– p. 12-13
Razor® HD LH™	– p. 14-15
Golden Eagle®	– p. 16-17
Viper® PST™ Gen II	– p. 18-21

Viper® HST	– p. 22-23
Viper® HS & HSLR	– p. 24-25
Viper®	– p. 26-27
Strike Eagle®	– p. 28-31
Diamondback® Tactical	– p. 32-33
Diamondback®	– p. 34-35
Crossfire® II	– p. 36-39

RED DOTS

Razor® AMG™ UH-1™	– p. 44-45
SPARC® AR	– p. 46-47
Strikefire® II	– p. 48-49
Crossfire®	– p. 50-51
Razor®	– p. 52-54

Viper®	– p. 52-53, 55
Venom®	– p. 52-53, 55
Spitfire™	– p. 56-57
Spitfire™ AR	– p. 58-59

RANGEFINDERS

Ranger®	– p. 62-63
---------	------------

Impact®	– p. 64-65
---------	------------

BINOCULARS

Razor® HD	– p. 62-63
Kaibab® HD	– p. 68
Vulture® HD	– p. 69
Viper® HD	– p. 70-71
Fury® HD	– p. 72-73

Diamondback®	– p. 74
Crossfire®	– p. 75
Raptor™	– p. 76
Vanquish®	– p. 77

MONOCULARS

Recce Pro® HD	– p. 78-79
Recon® R/T	– p. 80-81

Solo®	– p. 82
Solo® R/T	– p. 83

SPOTTING SCOPES

Razor® HD	– p. 86-87
Viper® HD	– p. 88-89

Diamondback®	– p. 90-91
--------------	------------



KEY FEATURE DESCRIPTIONS



▶ HD
Optimized optical system delivers impressive resolution, cuts chromatic aberration and provides excellent color fidelity, edge-to-edge sharpness and light transmission - resulting in High Definition views.



▶ XD™
Premium optical system and select glass elements deliver exceptional resolution, edge-to-edge sharpness, greatly reduce chromatic aberration and guarantee clean, bright, sharp, high-contrast images.



▶ SD
High-quality optical system reduces chromatic aberration and delivers clean, bright, sharp images.



▶ XR™ Plus
Ultimate anti-reflective coatings on all air-to-glass surfaces provide maximum light transmission for peak clarity and the pinnacle of low-light performance.



▶ XR™
Premium anti-reflective coatings on all air-to-glass surfaces provide superior light transmission for exceptional clarity and low-light performance.



▶ FULLY MULTI-COATED
Anti-reflective coatings on all air-to-glass surfaces provide increased light transmission for optimal clarity and low-light performance.



▶ ALO ALIGNMENT
Proprietary, precision-laser process, perfectly aligns every lens element to ensure the absolute best image possible.



▶ DIELECTRIC COATING
Multi-layer prism coating enhances reflectivity and brightness for clear, high-contrast, color-accurate images.



▶ RUBBER ARMOR
Increased durability and comfort with a secure, non-slip grip.



▶ APO (APOCHROMATIC)
Index-matched lenses correct color across the entire visual spectrum.



▶ ARMORTEK®
Ultra-hard exterior lens coatings defend against scratches, oil, and dirt.



▶ PLASMA TECH
Cutting-edge coating application process provides unparalleled coating durability and performance.



▶ SHOCKPROOF
Rugged construction withstands the highest levels of recoil and impact.



▶ ARGON GAS PURGED
Gas purged and o-ring sealed for superior fogproof and waterproof performance in the most extreme conditions.



▶ NITROGEN GAS PURGED
Gas purged and o-ring sealed for fogproof and waterproof performance in all conditions.

CATEGORIES OF RIFLESCOPES



HUNTING

If you see this icon, you're on the right track to picking your next hunting riflescope. The game pursued, terrain encountered, firearm chosen, and budget will dictate the best riflescope for the job. Dark-timber to long-range, cross-canyon shots - We've got you covered.



TACTICAL

Tactical shooting scenarios require specific features to best accomplish the task at hand. If this icon appears next to one of our riflescopes, it has those features. Law enforcement, military, home defense, range rat - close quarters to extreme long range. No matter where your "Tactical" hierarchy of needs fall, Vortex has a riflescope to get the job done.



COMPETITION

If you see this icon, you're one step closer to winning your next match. 3-gun to Precision Rifle, USPSA to F-Class - whatever your competitive shooting discipline(s), we have the optic to assist with your trip to the podium.



TARGET SHOOTING

There's more than one way to pew pew pew. The good news is, we make optics for all of them. Break down the who, what, where, when, why of your next shooting adventure, and we'll supply the how - with the best optic to fit your needs. If you see this icon when selecting a riflescope, you're right on target.

These are our suggestions, but our riflescopes can be used for many applications.

NEW PRODUCTS

FOR 2018

RAZOR® HD GEN II-E RIFLESCOPES

Every component, feature, and performance characteristic of the Razor HD Gen II-E 1-6x24 riflescope is so well thought out and executed, it's almost scary. And in 2018, it's nearly ¼ of a pound lighter. Incredibly versatile and perfect for the AR platform, the Gen II-E 1-6 is truly a top-tier optical solution for short to medium-range tactical applications.



1-6 X 24

SKU: RZR-16008, RZR-16009, RZR-16010

Page: 10-11

STRIKE EAGLE® RIFLESCOPES

Adding long range capability to the family that brings you tactical features and rock-solid build-quality at a price that doesn't require a loan, these incredibly versatile, 6x-zoom riflescopes are ready for action on your rifle. XD optical systems with glass-etched, second focal plane EBR-4 reticles, give detailed MOA-based holdovers. 30mm, single-piece main tubes offer 120 MOA (3-18x44) and 85 MOA (4-24x50) of elevation travel. Exposed turrets are easily accessible, feature a zero-reset, and track true. The illumination is integrated into the left-side parallax adjustment knob, and features 11 intensity levels. Long range has never been more within reach.



4-24X50 SKU: SE-1627

3-18X44 SKU: SE-1626

Page: 28-31



CROSSFIRE® RED DOT

For close-in work and general shooting, it's tough to beat a quality Red Dot Sight. And the super-light, ultra compact, insanely-fast-on-target, incredibly durable, Crossfire Red Dot is exactly that.

SKU: CF-RD1

Page: 50-51



RANGER® RANGEFINDERS

Updated for 2018 with even greater ranging capability, Ranger® Rangefinders give hunters and shooters distance data needed to make accurate shots. Easy to use with a clean display and highly intuitive menu, the Ranger's keep things simple, yet provide a high level of performance.

1800 SKU: RRF-181

1300 SKU: RRF-131

Page: 62-63



KAIBAB® HD BINOCULAR

The Kaibab HD 18x56 is the ultimate long-distance western-hunting binocular. When serious patience and superior optics are required to locate trophy animals at extreme distances, the Kaibab HD delivers the premium-quality, high-magnification optical performance you need to get the job done.

18x56 SKU: KAI-5618

Page: 68



VIPER® HD SPOTTING SCOPES

Packed with features and incredible optical performance hunters and shooters are sure to appreciate, these spotters bring far off subjects in for a closer look - and do so with impressive clarity, resolution, and color fidelity.

85 mm SKU: V502, V503

65 mm SKU: V500, V501

Page: 88-89





RAZOR[®] HD AMG[™]

RIFLESCOPES

From precision long-range shooting and tactical applications, to maximizing effective range on open-landscape western hunts, the Razor[®] HD AMG[™] is the ideal optic for an extremely wide range of long-range shooting scenarios. At just 28.8 ounces, it's the lightest weight, fully-featured, long-range tactical riflescope on the market—putting it in a class of its own.

THE COMMON DENOMINATOR
TO EVERY SUCCESSFUL MISSION

► FIRST FOCAL PLANE

FFP reticles are located in the front of the erector tube near the windage and elevation turrets. The main advantage is all subtensions remain consistent at all magnifications.

► L-TEC[™] TURRETS

Integrated locking turrets prevent accidental adjustments while providing fast, accurate, and easy to read adjustments.



KEY FEATURES



NOTE: For description and detailed information visit www.VortexOptics.com or page 4.

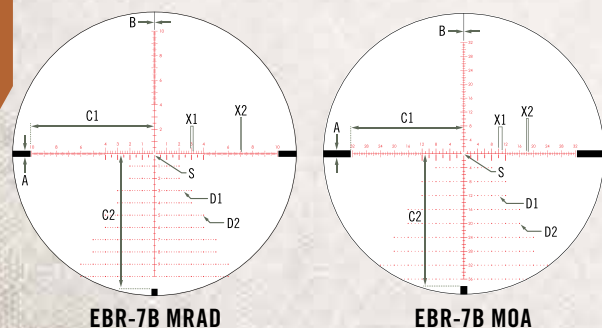
"I HAVE TO SAY, THE CLARITY AND QUALITY OF THE VORTEX RAZOR HD AMG IS AMAZING."

—Lasor1, Tennessee

SPECIFICATIONS

SKU	MAGNIFICATION X OBJECTIVE LENS	RETICLE OPTIONS	WEIGHT	LENGTH	EYE RELIEF (MAX POWER)	FIELD OF VIEW @ 100 YARDS	TUBE SIZE	ADJUSTMENT GRADUATION	TOTAL ELEVATION TRAVEL	TOTAL WINDAGE TRAVEL	TURRET STYLE	TRAVEL PER ROTATION	PARALLAX (YARDS)
RZR-AMG-5	6-24 x 50 FFP	EBR-7B MRAD	28.8 oz	15.2"	3.6"	20.4 - 5.1'	30mm	.1 MRAD	27.5 MRAD	10 MRAD	L-Tec	10 MRAD	25 to Infinity
RZR-AMG-4		EBR-7B MOA						¼ MOA	71 MOA	34 MOA		25 MOA	

Dual Use



EBR-7B MRAD

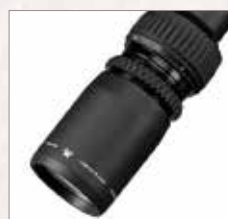
EBR-7B MOA

MODEL	EBR-7B MRAD								
	A	B	C1	C2	D1	D2	S	X1	X2
6-24 x 50 FFP	.5	.035	10.1	11	.06	.09	.035	.2	.1

MODEL	EBR-7B MOA								
	A	B	C1	C2	D1	D2	S	X1	X2
6-24 x 50 FFP	2	.12	32.5	38	.2	.3	.12	1	.5

VISIT: VortexOptics.com for more detailed information on specs or reticles.

NOTE: Reticle images shown for representation only. Reticle image varies between scope models depending on magnification and reticle plane. The letters on the reticle images refer to the subtensions in the chart.



LOCKING DIOPTER

This feature allows the shooter to set and lock the eyepiece setting once for their eye and forget it.



L-TEC[™] ZERO STOP

The rugged steel components of this patented mechanism prevent the elevation turret from dialing below sight in range. Internal mechanisms stay free of sand, dirt, dust, moisture, and other foreign materials—even when setting the zero-stop position.





RAZOR[®] HD GEN II

RIFLESCOPES

They say that practice makes perfect and no other optic proves this true more than the Razor[®] HD Gen II. Every component, feature, and performance characteristic of these top-tier riflescopes is well thought out and executed with precision. The 4.5-27 x 56 and 3-18 x 50 are designed and engineered for dialing long-range shots in extreme environments.

ROCK-SOLID, DEADLY-RELIABLE RAZOR SHARP

► **FIRST FOCAL PLANE**
FFP reticles are located in the front of the erector tube near the windage and elevation turrets. The main advantage is all subtensions remain consistent at all magnifications.

► **L-Tec™ TURRETS**
Integrated locking turrets prevent accidental adjustments while providing fast, accurate, and easy to read adjustments.

► **28.5MRAD / 71MOA TOTAL ELEVATION TRAVEL**



KEY FEATURES



NOTE: For description and detailed information visit www.VortexOptics.com or page 4.

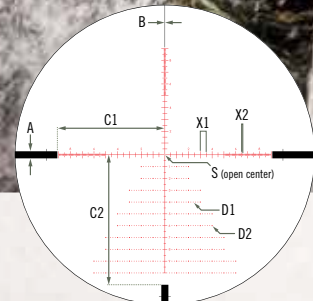
SPECIFICATIONS

SKU	MAGNIFICATION X OBJECTIVE LENS	RETICLE OPTIONS	WEIGHT	LENGTH	EYE RELIEF (MAX POWER)	FIELD OF VIEW @ 100 YARDS	TUBE SIZE	ADJUSTMENT GRADUATION	TOTAL ELEVATION TRAVEL	TOTAL WINDAGE TRAVEL	TURRET STYLE	TRAVEL PER ROTATION	PARALLAX (YARDS)
RZR-42704	4.5-27 x 56 FFP	EBR-1C MRAD	48.5 oz	14.4"	3.7"	25.3 - 4.4'	34mm	1/4 MOA	28.5 MRAD	10 MRAD	L-Tec	10 MRAD	32 to Infinity
RZR-42705		EBR-2C MOA										25 MOA	
RZR-42706		EBR-2C MRAD										10 MRAD	
RZR-31803	3-18 x 50 FFP	EBR-2C MOA	46.5 oz	14.4"	3.7"	37.8 - 6.25'	34mm	1/4 MOA	71 MOA	34 MOA	L-Tec	25 MOA	25 to Infinity
RZR-31802		EBR-2C MRAD										10 MRAD	

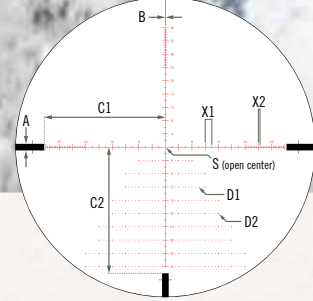
Dual Use

"THIS SCOPE HOLDS A ZERO AND TRACKS WELL THROUGHOUT THE RANGE OF ADJUSTMENT."

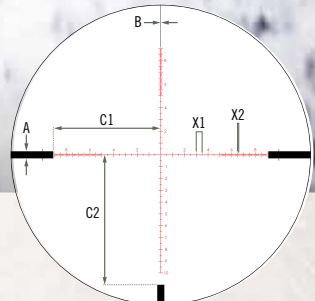
—CTressler, Arizona



EBR-2C MRAD



EBR-2C MOA



EBR-1C MRAD

MODEL	EBR-2C MRAD								
	A	B	C1	C2	D1	D2	S	X1	X2
4.5-27 x 56 FFP	.6	.03	9.1	11	.06	.09	.06	.5	.1
3-18 x 50 FFP	.6	.04							

MODEL	EBR-2C MOA								
	A	B	C1	C2	D1	D2	S	X1	X2
4.5-27 x 56 FFP	2	.1	35.5	37	.2	.3	.25	1	.5
3-18 x 50 FFP	2	.14	36.5	38	.2	.3	.25	2	.5

MODEL	EBR-1C MRAD					
	A	B	C1	C2	X1	X2
4.5-27 x 56 FFP	.6	.03	9.1	11	.5	.1

NOTE: Reticle images shown for representation only. Reticle image varies between scope models depending on magnification and reticle plane. The letters on the reticle images refer to the subtensions in the chart.





RAZOR[®] HD GEN II-E

RIFLESCOPES

Every component, feature, and performance characteristic of the Razor[®] HD Gen II-E 1-6x24 riflescope is so well thought out and executed, it's almost scary. And in 2018, it's nearly ¼ of a pound lighter. Perfect for the AR platform, the Gen II-E 1-6 is a top-tier optical solution for short to medium-range tactical applications. Optically, it delivers the highest level of clarity, resolution, color accuracy, light transmission, and edge-to-edge sharpness. The ultra-forgiving eyebox with generous eye relief generates a heads-up-display-like sight picture for fast target acquisition and optimal monitoring of the surrounding environment. A true, daylight-bright illuminated center dot gives shooters ultimate close-quarters versatility.

AND THE MODERN CARBINE
WAS NEVER THE SAME AGAIN

► ILLUMINATED CENTER DOT
Daylight bright illuminated center dot provides a precise point-of-aim in all lighting conditions.

NEW 2018

► 21.5 oz WEIGHT



KEY FEATURES



NOTE: For description and detailed information visit www.VortexOptics.com or page 4.

"EVERYONE THAT SHOOTS THIS AT THE RANGE GOES 'OH MY GOD'. MY RIFLE SEES LOTS OF USE BEING A FIREARMS INSTRUCTOR, COMPETITOR, AND FORMER SPECIAL FORCES ENGINEERING SERGEANT."

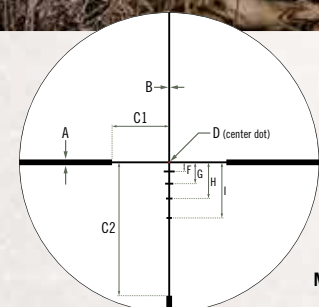
—RPK022, Colorado

SPECIFICATIONS

SKU	MAGNIFICATION X OBJECTIVE LENS	RETICLE OPTIONS	WEIGHT	LENGTH	EYE RELIEF (MAX POWER)	FIELD OF VIEW @ 100 YARDS	TUBE SIZE	ADJUSTMENT GRADUATION	TOTAL ELEVATION TRAVEL	TOTAL WINDAGE TRAVEL	TURRET STYLE	TRAVEL PER ROTATION	PARALLAX (YARDS)
RZR-16008		JM-1 BDC MOA											
RZR-16010	1-6 x 24	VMR-2 MOA	21.5 oz	10.1"	4.0"	115.2 - 20.5'	30mm	½ MOA	150 MOA	150 MOA	Low Capped	50 MOA	100
RZR-16009		VMR-2 MRAD						.2 MRAD	43 MRAD	43 MRAD		20 MRAD	

Dual Use

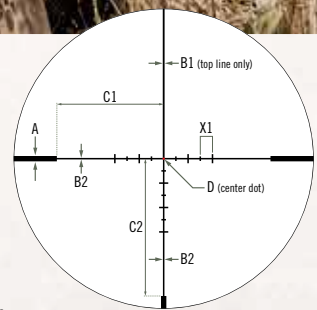
US Patent 7,958,665



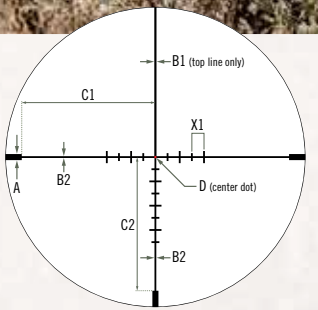
JM-1 BDC MOA

Designed with input from world-renowned competitive shooter, instructor, and gunsmith Jerry Miculek, the Vortex-exclusive JM-1 BDC reticle facilitates rapid shooting at distances from 0-600 yards. Works ideally with popular .223/5.6mm and .308/7.62mm loads.

MODEL	JM-1 BDC MOA								
	A	B	C1	C2	D	F	G	H	I
1-6 x 24	1.5	.5	15	35	.5	2.4	5.6	9.5	14.5



VMR-2 MOA



VMR-2 MRAD

Hash-marked reticle using MOA or MRAD-based subtension lines for ranging, holdover, and windage corrections. Letters refer to reticle subtensions listed in chart below.

MODEL	VMR-2 MRAD						
	A	B1	B2	C1	C2	D	X1
1-6 x 24	.5	.18	.15	11	11	.15	1

MODEL	VMR-2 MOA						
	A	B1	B2	C1	C2	D	X1
1-6 x 24	1.75	.6	.5	35	45	.5	4

NOTE: Reticle images shown for representation only. Reticle image varies between scope models depending on magnification and reticle plane. The letters on the reticle images refer to the subtensions in the chart.





RAZOR® HD

RIFlescOPES

Designed and built to meet the specific demands of discriminating shooters, the Razor® HD 5-20x50 delivers on all levels. Built on a 35mm tube, it's packed with unique performance and optical features, including Vortex's proprietary hash-marked MOA and MRAD reticles. Simply put, the Razor HD allows marksmen to quickly calculate, dial, and deliver the perfect shot.

▶ 36MRAD / 125MOA TOTAL ELEVATION TRAVEL

▶ RZR™ ZERO STOP

Rapid Zero Return (RZR) feature stops the turret from dialing below sight-in range using rugged steel components.

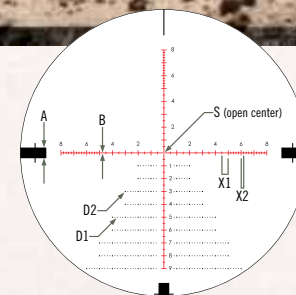


SO MUCH TRAVEL
YOU SHOULD GET FREQUENT FLYER MILES

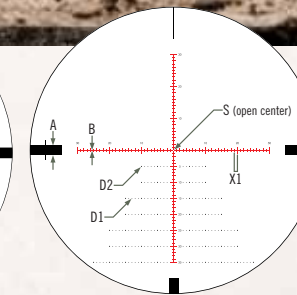
KEY FEATURES



NOTE: For description and detailed information visit www.VortexOptics.com or page 4.



EBR-2B MRAD



EBR-2B MOA

MODEL	EBR-2B MRAD						
	A	B	D1	D2	S	X1	X2
5-20 x 50 FFP	.8	.06	.06	.09	.07	.5	.2

MODEL	EBR-2B MOA					
	A	B	D1	D2	S	X1
5-20 x 50 FFP	3	.15	.2	.3	.25	1

NOTE: Reticle images shown for representation only. Reticle image varies between scope models depending on magnification and reticle plane. The letters on the reticle images refer to the subtensions in the chart.

SPECIFICATIONS

SKU	MAGNIFICATION X OBJECTIVE LENS	RETICLE OPTIONS	WEIGHT	LENGTH	EYE RELIEF (MAX POWER)	FIELD OF VIEW @ 100 YARDS	TUBE SIZE	ADJUSTMENT GRADUATION	TOTAL ELEVATION TRAVEL	TOTAL WINDAGE TRAVEL	TURRET STYLE	TRAVEL PER ROTATION	PARALLAX (YARDS)
RZR-52006	5-20 x 50 FFP	EBR-2B MRAD	35.2 oz	15.8"	3.9"	22 - 5.76'	35mm	.1 MRAD	36 MRAD	36 MRAD	Tactical	10 MRAD	40 to Infinity
RZR-52005		EBR-2B MOA						¼ MOA	125 MOA	125 MOA		25 MOA	

Dual Use





RAZOR[®] HD LH[™]

LIGHT HUNTER RIFlescOPES

Top-tier glass and precision machining in an ultra-sleek, lightweight package define the Razor[®] HD LH[™]. Simple, yet elegant, this riflescope is built to exceed expectations—no matter the person or extreme hunts they take it on.

HD optical system, XR[™] Plus fully multi-coated lenses, and ArmorTek[®] on exterior lenses combine to deliver stunning image quality. Tack-sharp resolution from edge to edge, coupled with its ultra-forgiving eyepiece, serves up a sight picture nothing short of impressive.

The HSR-4 BDC and G4-BDC reticles are super clean, yet highly versatile, for optimal target acquisition and pinpoint accuracy.

▶ LIGHTWEIGHT CONSTRUCTION

▶ LOCKING EYEPIECE



KEY FEATURES



NOTE: For description and detailed information visit www.VortexOptics.com or page 4.

SPECIFICATIONS

SKU	MAGNIFICATION X OBJECTIVE LENS	RETICLE OPTIONS	WEIGHT	LENGTH	EYE RELIEF (MAX POWER)	FIELD OF VIEW @ 100 YARDS	TUBE SIZE	TURRET STYLE	ADJUSTMENT GRADUATION	TOTAL ELEVATION TRAVEL	TOTAL WINDAGE TRAVEL	TRAVEL PER ROTATION	PARALLAX (YARDS)
RZR-1572	3-15 x 42	HSR-4 BDC	16.5 oz	13.5"	3.8"	35.8 - 7.1'	1"	Capped	¼ MOA	55 MOA	55 MOA	15 MOA	20 to Infinity
RZR-1558	2-10 x 40	MOA	15.4 oz	12.5"	3.8"	56.2 - 10.8'	1"		¼ MOA	90 MOA	90 MOA	15 MOA	100
RZR-6638	1.5-8 x 32	G4 BDC MOA	13.4 oz	11.0"	3.8"	72.2 - 13.2'	1"		¼ MOA	110 MOA	110 MOA	15 MOA	100

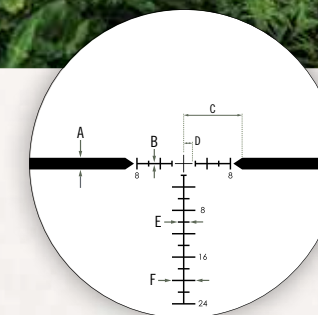
Dual Use

"I DIDN'T MISS A SINGLE SHOT AT ANY RANGE. I WAS REALLY, REALLY HAPPY WITH IT. THE CLARITY MADE 1000 YARDS SEEM LIKE IT WAS RIGHT IN FRONT OF ME."

—Everett300, Ohio

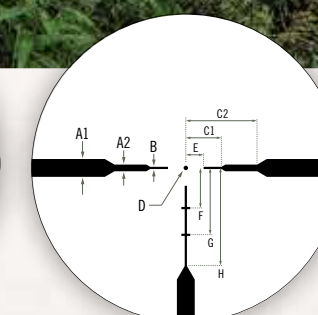
WHITE SHEEP TO WHITETAILED
YOU DEMAND THE BEST

HSR-4: The ideal reticle for those who want enough information to utilize personalized ballistics, but prefer a clean look. A fine crosshair, coupled with MOA-based hashmarks (2 MOA spacing), promotes fast and accurate shots from close to extended ranges.



HSR-4 BDC RETICLE

RETICLE SUBTENSIONS	A	B	C	D	E	F
3-15 x 42	1.5	.20	10.0	1.5	2.0	4.0
2-10 x 40	2.0	.25				



G4 BDC MOA RETICLE

G4 BDC MOA: Combining a target dot for pinpoint aiming, BDC hash-marks for longer range shots, and hints of the classic German Number 4, the new G4 BDC is the perfect blend of features and functionality. Slightly heavier subtensions make it easy to pick up in low light conditions. Simple, versatile, effective—that's the G4 BDC.

RETICLE SUBTENSIONS	A1	A2	B	C1	C2	D	E	F	G	H
1.5-8 x 32	2.5	.95	.30	4.0	8.0	.625	2.0	4.5	7.5	11.0

NOTE: Reticle images shown for representation only. Reticle image varies between scope models depending on magnification and reticle plane. The letters on the reticle images refer to the subtensions in the chart.





GOLDEN EAGLE® HD

RIFLESCOPES

Competitive shooters require a very specific set of features to stay ahead of the crowd, and the Golden Eagle® hits the mark (pun intended). The 15-60x magnification, fine reticle, and repeatable tracking are perfect for fine tuning that record shot. Its relatively light weight, just 29.7 ounces, allows shooters to adhere to strict competition weight limits.

Whether you're interested in Rimfire Bench Rest, Centerfire Bench Rest, NRA High-Power, or F-Class competitions this is the scope for you.

► INCLUDED 10 MOA WINDAGE TURRET

Additional turret allows for dialing a full 10 MOA revolution of windage before the scale repeats.



NOT CALLED SILVER OR BRONZE FOR GOOD REASON

KEY FEATURES



NOTE: For description and detailed information visit www.VortexOptics.com or page 4.



ASR (APERTURE STOP RING)

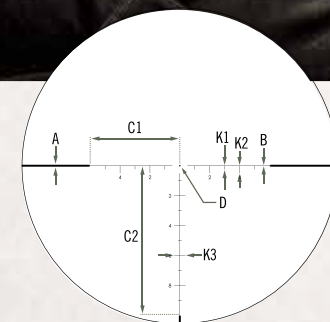
Broadens the depth of field allowing the shooter to more easily observe down-range mirage and other wind indicators while keeping the target in focus.

SPECIFICATIONS

SKU	MAGNIFICATION X OBJECTIVE LENS	RETICLE OPTIONS	WEIGHT	LENGTH	EYE RELIEF (MAX POWER)	FIELD OF VIEW @ 100 YARDS	TUBE SIZE	ADJUSTMENT GRADUATION	TOTAL ELEVATION TRAVEL	TOTAL WINDAGE TRAVEL	TURRET STYLE	TRAVEL PER ROTATION	PARALLAX (YARDS)
TCS-1503	15-60 x 52	ECR-1 MOA	29.7oz	16.1"	3.9"	6.3 - 1.7'	30 mm	1/8 MOA	55 MOA	45 MOA	Tall Target	10 MOA	20 to Infinity
TCS-1501		SCR-1 MOA											

Dual Use

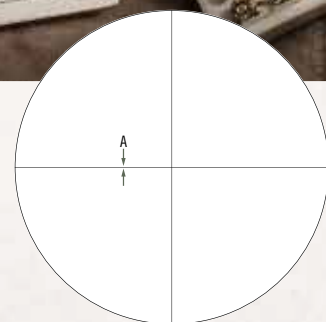
VISIT: VortexOptics.com for more detailed information on specs, reticles, and features.



ECR-1 MOA

The ECR-1 (Enhanced Crosshair Reticle) is a hash-marked reticle using MOA based subtension lines for holdover and windage corrections. The floating center dot subtends 0.095 MOA at 40x.

MODEL	ECR-1 MOA						
	A	B	C1	C2	D	K1	K2 K3
15-60 x 52	.13	.016	6	10	.095	.25	.5 .75



SCR-1 MOA

The SCR-1 (Simple Crosshair Reticle) is the exact opposite of a "busy" reticle. The only thing that needs your attention is a traditional set of fine crosshairs that subtend 0.016 MOA at 40x.

MODEL	SCR-1 MOA
	A
15-60 x 52	.016

NOTE: Reticle images shown for representation only. Reticle image varies between scope models depending on magnification and reticle plane. The letters on the reticle images refer to the subtensions in the chart.



RIFLESCOPES

18

Viper® PST™ Gen II

A JACK-OF-ALL-TRADES
AND A MASTER OF ALL

VIPER® PST™ GEN II

PRECISION SHOOTING/TACTICAL RIFLESCOPES

Incredible features inside and out take the performance and rock-solid tactical features of these riflescopes to new heights—and your shooting with it. Topping your door kicker or dialing precision long-range shots, there's a Gen II PST to fulfill your needs and exceed your expectations.



1-6X24



2-10X32



3-15X44



5-25X50



RIFLESCOPES 19 Viper® PST™ Gen II

VIPER[®] PST[™] GEN II

PRECISION SHOOTING/TACTICAL RIFLESCOPES

An unfair advantage for shooters who seek the upper hand in every situation - from close quarters to long-range shots. The illumination dial is cleanly integrated into the side focus adjustment knob for easy access and streamlined performance. The glass-etched reticle offers shooters highly functional, intuitive, and detailed hold points, yet remains uncluttered for optimal viewing and features 10 intensity levels with off positions between each setting.

► RZR[™] ZERO STOP MECHANISM

Vortex's patented RZR[™] (Rapid Zero Return) Zero Stop mechanism prevents the turret from dialing below sight-in range for fast, precise return to zero after temporary elevation correction.



KEY FEATURES



NOTE: For description and detailed information visit www.VortexOptics.com or page 4.

SPECIFICATIONS

SKU	MAGNIFICATION X OBJECTIVE LENS	RETICLE OPTIONS	WEIGHT	LENGTH	EYE RELIEF (MAX POWER)	FIELD OF VIEW @ 100 YARDS	TUBE SIZE	ADJUSTMENT GRADUATION	TOTAL ELEVATION TRAVEL	TOTAL WINDAGE TRAVEL	TURRET STYLE	TRAVEL PER ROTATION	PARALLAX (YARDS)
PST-5258	5-25 x 50 FFP	EBR-2C MRAD	31.2 oz	16.0"	3.4"	24.1 - 4.8'	30mm	.1 MRAD	20 MRAD	10 MRAD	Tactical	10 MRAD	25 to Infinity
PST-5255		EBR-2C MOA						¼ MOA	70 MOA	35 MOA		25 MOA	
PST-5251	5-25 x 50	EBR-4 MOA	28.1 oz	14.3"	3.4"	41.2 - 8.6'	30mm	.1 MRAD	22 MRAD	11 MRAD	Tactical	10 MRAD	20 to Infinity
PST-3158	3-15 x 44 FFP	EBR-2C MRAD						¼ MOA	75 MOA	40 MOA		25 MOA	
PST-3155		EBR-2C MOA	26.3 oz	12.75"	3.2"	58.3 - 11.7'	30mm	.1 MRAD	26 MRAD	26 MRAD	Tactical	10 MRAD	20 to Infinity
PST-3151	EBR-4 MOA	¼ MOA						90 MOA	90 MOA	25 MOA			
PST-2105	2-10 x 32 FFP	EBR-4 MRAD	22.7 oz	10.9"	3.8"	112.5 - 18.8'	30mm	.1 MRAD	26 MRAD	26 MRAD	Capped	10 MRAD	100
PST-2101	EBR-4 MOA	¼ MOA						90 MOA	90 MOA	25 MOA			
PST-1607	1-6 x 24	VMR-2 MRAD	22.7 oz	10.9"	3.8"	112.5 - 18.8'	30mm	.2 MRAD	46 MRAD	46 MRAD	Capped	20 MRAD	100
PST-1605		VMR-2 MOA						½ MOA	160 MOA	160 MOA		50 MOA	

Dual Use

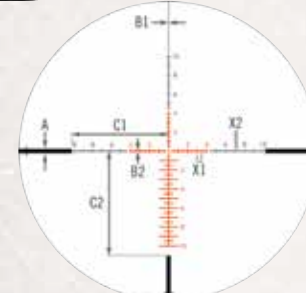
www.VortexOptics.com



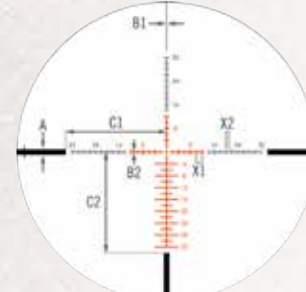
VORTEX OPTICS

US Patent 7,937,879

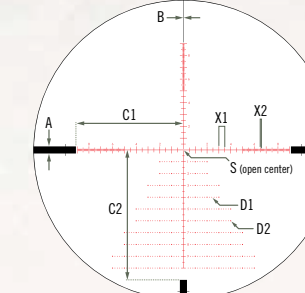
RETICLES



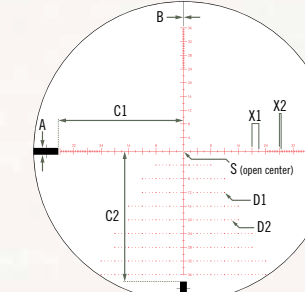
EBR-4 MRAD



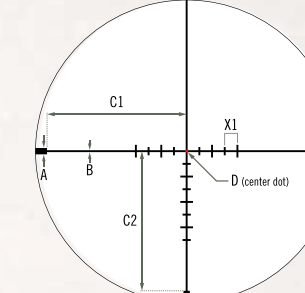
EBR-4 MOA



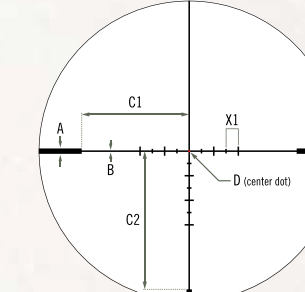
EBR-2C MRAD



EBR-2C MOA



VMR-2 MRAD



VMR-2 MOA

Hash-marked ranging reticle using MRAD or MOA-based subtension lines for ranging, holdover, and windage corrections. Letters refer to reticle subtensions listed in chart below.

NOTE: Reticle images shown for representation only. Reticle image varies between scope models depending on magnification and reticle plane. The letters on the reticle images refer to the subtensions in the chart.

RETICLE SUBTENSIONS

MODEL	EBR-4 MRAD						
	A	B1	B2	C1	C2	X1	X2
2-10 x 32 FFP	.5	.05	.1	10.2	11	.5	.2

MODEL	EBR-4 MOA						
	A	B1	B2	C1	C2	X1	X2
5-25 x 50	1.5	.078	.16	20.5	22	1	.5
3-15 x 44		.13	.27	34	36		
2-10 x 32 FFP	2	.17	.36	34	36	2	1

VISIT: VortexOptics.com for more detailed information on specs or reticles.

MODEL	EBR-2C MRAD								
	A	B	C1	C2	D1	D2	S	X1	X2
5-25 x 50 FFP	.5	.034	9		11	.09	.06	.06	.5
3-15 x 44 FFP	.6	.052	9.1				.095		.1

MODEL	EBR-2C MOA								
	A	B	C1	C2	D1	D2	S	X1	X2
5-25 x 50 FFP	2	.12	33		38	.3	.2	.25	1
3-15 x 44 FFP		.18	32.5				.33		.5

MODEL	VMR-2 MRAD				
	A	B	C1	C2	X1
1-6 x 24	.5	.15	11	11	1

MODEL	VMR-2 MOA				
	A	B	C1	C2	X1
1-6 x 24	1.75	.5	35	45	4

www.VortexOptics.com



VORTEX OPTICS





VIPER[®] HST[™]

HUNTING/SHOOTING/TACTICAL RIFLESCOPES



Blending many of the best features from our incredibly popular Viper[®] PST[™] and Viper[®] HS[™] riflescopes, the Viper[®] HST[™] is built on a 30mm, one-piece machined aluminum tube to deliver increased windage and elevation travel for optimal adjustment. The advanced optical system with 4x zoom range provides magnification versatility. A forgiving eye box with 4-inch eye relief gets shooters on target quickly and easily. Its long-range performance features include a hash-marked reticle and incredibly precise, repeatable, and durable tactical windage and elevation turrets built specifically for dialing. From tree stands to mountain tops, bolt guns to ARs, the Viper HST is ideal for a wide range of shooting applications.

▶ EXPOSED TACTICAL-STYLE TURRETS

Provide fast, accurate, and easily read elevation and windage adjustments.

▶ CRS[™] ZERO STOP

Customizable Rotational Stop (CRS) aids in return to zero after dialing temporary elevation correction.



REACH FARTHER...FARTHER...FARTHER

RIFLESCOPES

22

Viper[®] HST[™]

Viper[®] HST[™]

RIFLESCOPES 23

KEY FEATURES



NOTE: For description and detailed information visit www.VortexOptics.com or page 4.

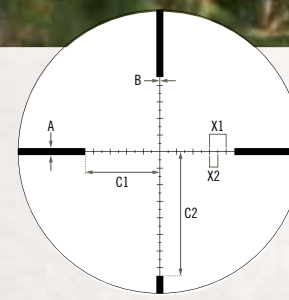
"THIS IS AN EXCELLENT SCOPE FOR HUNTING OR TARGET SHOOTING. WE HAVE SHOT OUT TO 700 YARDS AND IT HAS DONE A WONDERFUL JOB."

—David, West Virginia

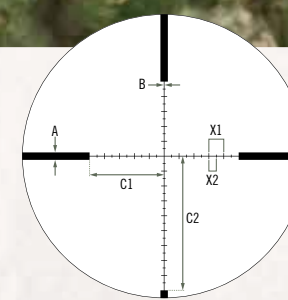
SPECIFICATIONS

SKU	MAGNIFICATION X OBJECTIVE LENS	RETICLE OPTIONS	WEIGHT	LENGTH	EYE RELIEF (MAX POWER)	FIELD OF VIEW @ 100 YARDS	TUBE SIZE	ADJUSTMENT GRADUATION	TOTAL ELEVATION TRAVEL	TOTAL WINDAGE TRAVEL	TURRET STYLE	TRAVEL PER ROTATION	PARALLAX (YARDS)
VHS-4310	6-24 x 50	VMR-1 MRAD	22.6 oz	15.5"	4.0"	17.8 - 5.1'	30mm	.1 MRAD	19 MRAD	19 MRAD	Tactical	5 MRAD	50 to Infinity
VHS-4325		VMR-1 MOA						¼ MOA	65 MOA	65 MOA		12 MOA	
VHS-4308	4-16 x 44	VMR-1 MRAD	20.8 oz	13.7"		27.4 - 7.4'		.1 MRAD	21 MRAD	21 MRAD		5 MRAD	
VHS-4309		VMR-1 MOA						¼ MOA	75 MOA	75 MOA		12 MOA	

Dual Use



VMR-1 MOA



VMR-1 MRAD

Hash-marked reticle using MOA or MRAD-based subtension lines for ranging, holdover, and windage corrections.

MODEL	VMR-1 MRAD					
	A	B	C1	C2	X1	X2
6-24 x 50	.5	.045	5	9	1	.5
4-16 x 44						

MODEL	VMR-1 MOA					
	A	B	C1	C2	X1	X2
6-24 x 50	1.7	.15	18	30	4	2
4-16 x 44						

NOTE: Reticle images shown for representation only. Reticle image varies between scope models depending on magnification and reticle plane. The letters on the reticle images refer to the subtensions in the chart.

www.VortexOptics.com



VORTEX OPTICS

www.VortexOptics.com



VORTEX OPTICS



VIPER[®] HSLR[™] & HS[™]

HUNTING SHOOTING AND LONG-RANGE RIFLESCOPES

Want to extend your effective shooting range at distances where bullet drop and wind drift become critical? Take a look at this series of Viper[®] scopes. These riflescopes feature exposed tactical elevation turrets built for dialing shots at extended ranges, while low-profile, capped windage turrets maintain the scopes' sleek lines. The HS[™] comes well-equipped with generous eye relief, and an advanced optical system with 4x zoom range for easy target acquisition and clear view.

Choose either of these models to guarantee that when the moment of truth arrives, you can take full advantage of the opportunity.

► **EXPOSED ELEVATION TURRET**

Provides fast, accurate and easily read elevation adjustments. Capped windage turret. (HSLR Models only)

► **CRS[™] ZERO STOP**

Customizable Rotational Stop (CRS) on HSLR[™] models aids in return to zero after dialing temporary elevation correction.



INCREDIBLE PERFORMANCE, ZERO QUIT
100% RESULTS

KEY FEATURES



NOTE: For description and detailed information visit www.VortexOptics.com or page 4.

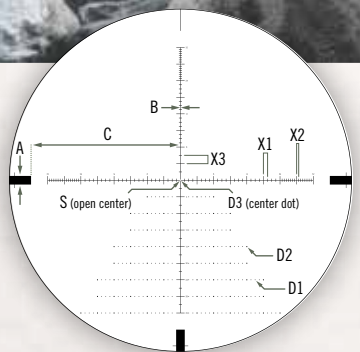
SPECIFICATIONS

SKU	MAGNIFICATION X OBJECTIVE LENS	RETICLE OPTIONS	WEIGHT	LENGTH	EYE RELIEF (MAX POWER)	FIELD OF VIEW @ 100 YARDS	TUBE SIZE	TURRET STYLE	ADJUSTMENT GRADUATION (MOA)	TOTAL ELEVATION TRAVEL	TOTAL WINDAGE TRAVEL	TRAVEL PER ROTATION	PARALLAX (YARDS)
Viper[®] HSLR[™]													
VHS-4315-LR	6-24 x 50 FFP	XLR MOA	22.4 oz	15.5"	4.0"	17.8 - 5.1'	30mm	Capped Windage Tactical Elevation	¼ Windage	65 MOA	42 MOA	12 Windage	50 to
VHS-4307-LR	4-16 x 50	Dead-Hold BDC	21.4 oz	13.7"	4.0"	27.4 - 7.4'	30mm	Capped	½ Elevation	75 MOA	50 MOA	24 Elevation	Infinity
Viper[®] HS[™]													
VHS-4307	4-16 x 50	Dead-Hold BDC	20.4 oz	13.7"	4.0"	27.4 - 7.4'	30mm	Capped	¼ MOA	50 MOA	50 MOA	12 MOA	50 to
VHS-4305	4-16 x 44		18.4 oz	13.7"	4.0"	27.4 - 7.4'	30mm	Capped	¼ MOA	50 MOA	50 MOA	12 MOA	Infinity
VHS-4303	2.5-10 x 44		16.5 oz	12.0"	4.0"	47.0 - 10.9'	30mm	Capped	¼ MOA	86 MOA	86 MOA	12 MOA	100

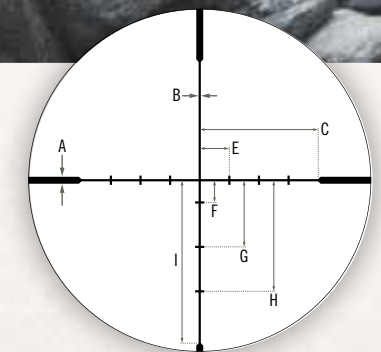
Dual Use

"AS A GUIDE IN AZ THIS LONG RANGE SCOPE IS KEY, CLIENTS COME TO CAMP WITH GEAR CAPABLE FOR 200 YRDS MAX, I EXPLAIN THE DIFFICULTY OF HUNTING COVES AND IT'S ALWAYS GOOD TO BE ABLE TO MAKE 500 PLUS YARD SHOT. AFTER SHOOTING MY VIPER SCOPE THEIR FIRST STATEMENT IS 'I'M BUYING ONE OF THESE WHEN I GET HOME!' "

—Strype, Arizona



XLR MOA RETICLE



DEAD-HOLD[®] BDC RETICLE

RETICLE SUBTENSIONS	DEAD-HOLD BDC MOA								
	A	B	C	E	F	G	H	I	
4-16 x 50	.469	.156							
4-16 x 44			8.0	2.0	1.5	4.5	7.5	11.0	
2.5-10 x 44	.75	.25							

RETICLE SUBTENSIONS	XLR MOA											
	A	B	C	D1	D2	D3	S	X1	X2	X3		
6-24 x 50 FFP	2.08	.1	36.0	.17	.26	.1	.3	1	.5	2		

NOTE: Reticle images shown for representation only. Reticle image varies between scope models depending on magnification and reticle plane. The letters on the reticle images refer to the subtensions in the chart.



VIPER[®] RIFLESCOPES

Designed and engineered for those who want it all—strength, durability, and XR™ fully multi-coated lenses for incredible light transmission. This is why year after year, accomplished hunters have come to rely on this solid performer. Just pick your reticle and a spot behind the shoulder. Done.

RIFLESCOPES 26

Viper[®]

THE REASON YOU HAVE CANINE TEETH AND A VIPER[®] RIFLESCOPE
ARE EXACTLY THE SAME

► PRECISION-GLIDE ERECTOR SYSTEM

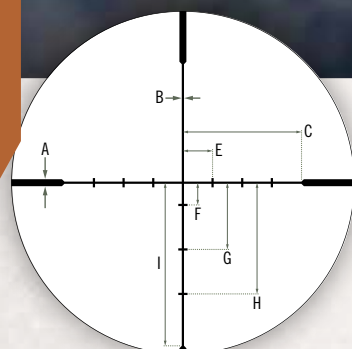
This system ensures the components in the zoom lens mechanism glide smoothly and cleanly through all magnification ranges.



Viper[®]

27

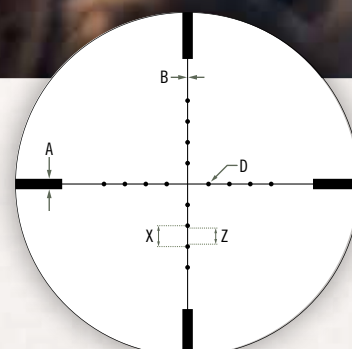
RIFLESCOPES



DEAD-HOLD[®] BDC RETICLE

DEAD-HOLD[®] BDC: A customized hash-mark design which helps eliminate the guesswork on holdover and windage corrections. This reticle is perfect for hunting and shooting at varying ranges.

RETICLE SUBTENSIONS	DEAD-HOLD BDC MOA							
	A	B	C	E	F	G	H	I
6.5-20 x 50 PA	.375	.12	8.0	2.0	1.5	4.5	7.5	11.0



MIL DOT RETICLE

MIL-DOT: Originally designed for the US Marine Corps, it's useful for helping to estimate range, windage, and bullet holdover. It's perfect for long-distance shooters looking for ranging ability.

RETICLE SUBTENSIONS	MIL DOT				
	A	B	D	X	Z
6.5-20 x 50 PA	.5	.05	.2	1.0	.8

NOTE: Reticle images shown for representation only. Reticle image varies between scope models depending on magnification and reticle plane. The letters on the reticle images refer to the subtensions in the chart.

KEY FEATURES



NOTE: For description and detailed information visit www.VortexOptics.com or page 4.

SPECIFICATIONS

SKU	MAGNIFICATION X OBJECTIVE LENS	RETICLE OPTIONS	WEIGHT	LENGTH	EYE RELIEF (MAX POWER)	FIELD OF VIEW @ 100 YARDS	TUBE SIZE	TURRET STYLE	ADJUSTMENT GRADUATION	TOTAL ELEVATION TRAVEL	TOTAL WINDAGE TRAVEL	TRAVEL PER ROTATION	PARALLAX (YARDS)
VPR-M-06MD	6.5-20 x 50 PA	Mil-Dot	21.6 oz	14.4"	3.1"	17.4 - 6.2'	30mm	Tall	¼ MOA	65 MOA	65 MOA	12 MOA	50 to
VPR-M-06BDC		Dead-Hold BDC						Capped	¼ MOA	65 MOA	65 MOA	12 MOA	Infinity

Dual Use

"TOOK IT OUT HUNTING IN EASTERN OREGON FOR ELK AND HELD ZERO WITHOUT A PROBLEM EVEN GETTING BOUNCED AROUND ON THE QUAD."

—Echo-4, Oregon

US Patent 7,937,879



NO TARGET TOO FAR, NO STAGE TOO COMPLEX
NO MISSION IMPOSSIBLE



STRIKE EAGLE®

RIFLESCOPE

Executing technical, short, and long-range shots requires a riflescope with application-specific features and rock-solid build-quality, to ensure accurate, reliable, and repeatable performance - every time you squeeze the trigger. Strike Eagle Riflescopes boast those features - in a trim, lightweight, durable, package - making them the ideal choice for value-minded shooters who are looking for a riflescope to top their next rig, or those who want to get in the game, but don't want to take a loan out to do it.



1-6X24



1-8X24



3-18X44



4-24X50

NEW 2018

STRIKE EAGLE®

RIFLESCOPE

The incredibly versatile 6X zoom range (8X on the 1-8x24 model) lends itself to a wide range of shooting scenarios. The XD optical system, using lenses fully-multicoated with anti-reflective coatings, delivers crisp, bright, images – ensuring you can see your target clearly when it counts. Glass-etched, second-focal-plane reticles, give detailed hold points when shooting off the reticle, yet remain visually clean for optimal viewing. Built on a 30mm, single-piece, anodized aircraft-grade aluminum tubes, for ample travel and durability. Ultra-trim illumination dial features 11 intensity levels of illumination and runs on a single CR2032 battery. Dial rotates for-and-aft a full 360-degrees, providing easy access to preferred settings and multi-directional return home to the off position. O-ring sealed and Nitrogen gas purged for waterproof, fogproof performance – no matter the weather conditions.



RIFLESCOPES 30 Strike Eagle®

NEW 2018

KEY FEATURES



NOTE: For description and detailed information visit www.VortexOptics.com or page 4.

SPECIFICATIONS

SKU	MAGNIFICATION X OBJECTIVE LENS	RETICLE OPTIONS	WEIGHT	LENGTH	EYE RELIEF (MAX POWER)	FIELD OF VIEW @ 100 YARDS	TUBE SIZE	ADJUSTMENT GRADUATION	TOTAL ELEVATION TRAVEL	TOTAL WINDAGE TRAVEL	TURRET STYLE	TRAVEL PER ROTATION	PARALLAX (YARDS)
SE-1627	4-24x50	EBR-4	25.6 oz	14.9"	3.5"	26.2 - 4.3'	30mm	1/4 MOA	80 MOA	80 MOA	Tactical	12 MOA	20 to Infinity
SE-1626	3-18x44	EBR-4	23.9 oz	13.5"	3.5"	34.5 - 5.7'	30 mm	1/4 MOA	120 MOA	120 MOA	Tactical	12 MOA	20 to Infinity
SE-1824-1	1-8 x 24	AR-BDC2	16.75 oz	10.0"	3.5"	116.5 - 14.4'	30mm	1/2 MOA	100 MOA	100 MOA	Capped	44 MOA	100
SE-1624-1	1-6 x 24	AR-BDC	17.6 oz	10.5"	3.5"	116.5 - 19.2'	30mm	1/2 MOA	140 MOA	140 MOA	Capped	44 MOA	100

Dual Use

" THIS BEING MY FIRST VORTEX, I COULDN'T BELIEVE THE CLARITY OF THE GLASS. IT MADE ME A BELIEVER. LOOKING TO PUT OTHER VORTEX OPTICS ON SOME OTHER RIFLES I OWN."

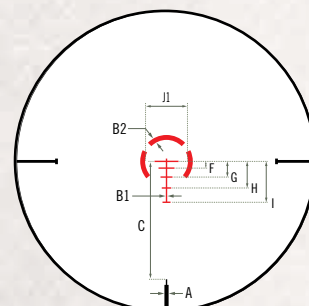
—WilliamColeWilson23, Texas

www.VortexOptics.com



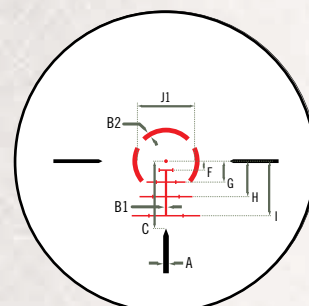
VORTEX OPTICS

RETICLES



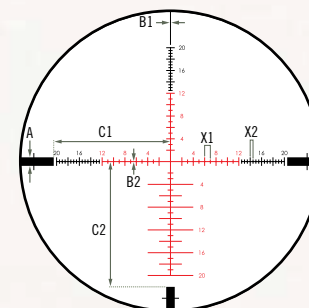
AR-BDC

The illuminated, glass-etched BDC reticle subtends with popular 5.56mm cartridges, and the centered halo promotes fast target acquisition.



AR-BDC2

This reticle facilitates rapid shooting at distances from 20 to 600 yards with popular .223/5.56mm and .308/7.62mm loads. This versatile reticle provides bullet drop compensation holdover points at 100 yard increments as well as 5 and 10 mph cross wind hold reference points.



EBR-4 MOA

Hash-marked ranging reticle using MOA based subtenion lines for ranging, holdover, and windage corrections. Letters refer to reticle subtenions listed in chart below.

RETICLE SUBTENSIONS

MODEL	AR-BDC								
	A	B1	B2	C	F	G	H	I	J1
1-6 x 24	1.5	.5	1.75	42.1	2.4	5.6	9.5	14.6	15.5
MODEL	AR-BDC2								
	A	B1	B2	C	F	G	H	I	J1
1-8 x 24	1.0	.6	1.275	18.0	2.4	5.6	9.5	14.6	15.35

MODEL	EBR-4 MOA					
	A	B1	B2	C1	C2	X1 X2
4-24x50	1.5	.078	.162	20.5	22	1 .5
3-18x44	1.5	.13	.27	34	36	1 .5

VISIT: VortexOptics.com for more detailed information on specs or reticles.

www.VortexOptics.com



VORTEX OPTICS



NEW 2018

RIFLESCOPES 31 Strike Eagle®



DIAMONDBACK® TACTICAL

RIFLESCOPES

A LONG-RANGE WOLF
IN SHEEP'S CLOTHING

Exposed tactical turrets built for dialing elevation and windage allow quick and precise bullet drop and wind drift compensation at extended ranges. When we say precise—we mean it. These turrets track better than any Bloodhound and reliably return to zero every time. A zero reset feature lets you re-index the zero reference marks on both turrets after sight in, while fiber optic rotation indicators integrated into the turrets provide a visual cue of your turret's position.

▶ EXPOSED TACTICAL TURRETS

Tactical windage and elevation turrets with Zero Reset making adjustments back to zero easy and quick.



KEY FEATURES



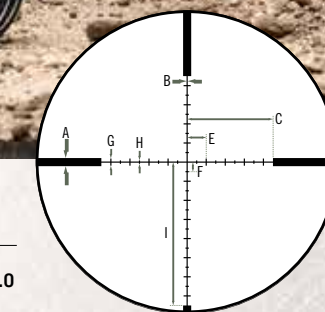
NOTE: For description and detailed information visit www.VortexOptics.com or page 4.

SPECIFICATIONS

SKU	MAGNIFICATION X OBJECTIVE LENS	RETICLE OPTIONS	WEIGHT	LENGTH	EYE RELIEF (MAX POWER)	FIELD OF VIEW @ 100 YARDS	TUBE SIZE	ADJUSTMENT GRADUATION	TOTAL ELEVATION TRAVEL	TOTAL WINDAGE TRAVEL	TURRET STYLE	TRAVEL PER ROTATION	PARALLAX (YARDS)
DBK-10025	4-12 x 40	VMR-1	16.2 oz	14.2"	3.9"	23.6 - 7.9'	1"	¼ MOA	70 MOA	70 MOA	Tactical	12 MOA	100
DBK-10023	3-9 x 40	VMR-1	15.9 oz	12.5"	3.9"	33.7 - 11.3'	1"	¼ MOA	80 MOA	80 MOA	Tactical	12 MOA	100

Dual Use

MODEL	VMR-1								
	A	B	C	E	F	G	H	I	
4-12 x 40	1.7	.25	18.0	4.0	2.0	1.5	0.7	30.0	
3-9 x 40									



VMR-1 MOA

NOTE: Reticle images shown for representation only. Reticle image varies between scope models depending on magnification and reticle plane. The letters on the reticle images refer to the sub-tensions in the chart.



DIAMONDBACK®

HIGH PERFORMANCE RIFLESCOPES



The Diamondback® line personifies the classic American hunting rifle scope. Built for maximum durability in a 1-inch body, available in a wide variety of configurations, Argon gas purged, and o-ring sealed. The easily accessible side focus and parallax adjustment keeps a slim profile. Fully multi-coated lenses maximize every minute of shooting light—all for an extremely reasonable price. Loaded with high-performance features discerning hunters truly appreciate—game animals, not so much.

RELIABLE, HARD WORKING, AND TOUGH AS NAILS
JUST LIKE YOU



KEY FEATURES



NOTE: For description and detailed information visit www.VortexOptics.com or page 4.

SPECIFICATIONS

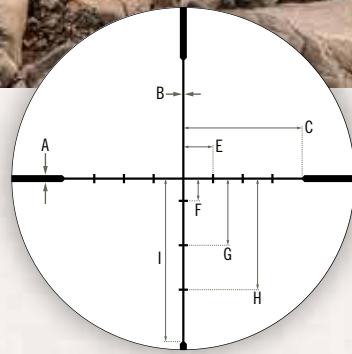
"THE VIEW QUALITY IS GREAT AND IS PERFECT FOR A BUDGET PACKAGE WITHOUT GIVING UP A RELIABLE OPTIC."
—Frank, Nebraska



V-PLEX RETICLE

V-PLEX: A popular hunting reticle. It is designed for a wide variety of applications.

RETICLE SUBTENSIONS	V-PLEX MOA		
	A	B	C
3-9 x 40	1.0	.2	4.8
2-7 x 35	1.2	.3	6.1



DEAD-HOLD® BDC RETICLE

DEAD-HOLD® BDC: A customized hash-mark design that helps eliminate the guesswork on holdover and windage corrections. This reticle is perfect for hunting and shooting at varying ranges.

RETICLE SUBTENSIONS	DEAD-HOLD BDC MOA								
	A	B	C	E	F	G	H	I	
4-16 x 42	.47	.15	8.0	2.0	1.5	4.5	7.5	11.0	
3-12 x 42	.6	.2							
4-12 x 40	.6	.15							
3.5-10 x 50	.72	.18							
3-9 x 40	.8	.2	8.0	2.0	1.5	4.5	7.5	11.0	
1.75-5 x 32	1.44	.36							

SKU	MAGNIFICATION X OBJECTIVE LENS	RETICLE OPTIONS	WEIGHT	LENGTH	EYE RELIEF (MAX POWER)	FIELD OF VIEW @ 100 YARDS	TUBE SIZE	TURRET STYLE	ADJUSTMENT GRADUATION	TOTAL ELEVATION TRAVEL	TOTAL WINDAGE TRAVEL	TRAVEL PER ROTATION	PARALLAX (YARDS)
Diamondback HP													
DBK-10019	4-16 x 42	Dead-Hold BDC	18.0 oz	12.5"	4.0"	23.8 - 6.1'	1"	Capped	1/4 MOA	80 MOA	80 MOA	15 MOA	30 to Infinity
DBK-10015	3-12 x 42					28.8 - 8.2'			1/4 MOA	90 MOA	90 MOA	15 MOA	
Diamondback													
DBK-04-BDC	4-12 x 40	Dead-Hold BDC	14.6 oz	12.0"	3.1"	32.4 - 11.3'			1/4 MOA	60 MOA	60 MOA	15 MOA	
DBK-03-BDC	3.5-10 x 50	Dead-Hold BDC	16.2 oz	12.5"		35.8 - 13.5'			1/4 MOA	65 MOA	65 MOA	15 MOA	
DBK-M-01P	3-9 x 40	V-Plex	14.4 oz	11.7"	3.3"	44.6 - 14.8'	1"	Capped	1/4 MOA	70 MOA	70 MOA	15 MOA	100
DBK-01-BDC		Dead-Hold BDC							1/4 MOA	70 MOA	70 MOA	15 MOA	
DBK-RIM	2-7 x 35 Rimfire	V-Plex	14.2 oz	11.6"	3.1"	64.3 - 19.3'			1/4 MOA	100 MOA	100 MOA	15 MOA	50
DBK-08-BDC	1.75-5 x 32	Dead-Hold BDC	12.8 oz	10.2"	3.5"	68.3 - 23.1'			1/4 MOA	125 MOA	125 MOA	15 MOA	100

Dual Use

NOTE: Reticle images shown for representation only. Reticle image varies between scope models depending on magnification and reticle plane. The letters on the reticle images refer to the subtensions in the chart.



CROSSFIRE® II

30MM TUBE RIFlescOPES

High performance meets economical. Clear, tough, and bright, our popular Crossfire® II line is built to exceed the performance standards of similarly priced riflescopes. Long eye relief, a fast-focus eyepiece, fully multi-coated lenses, and resettable MOA turrets are hallmarks of the series.

RIFlescOPES 36 Crossfire® II

RIFlescOPES 37 Crossfire® II

PROUD TO BE PART OF YOUR TRADITION

▶ 30MM TUBE
▶ RESETTABLE TURRETS



KEY FEATURES



NOTE: For description and detailed information visit www.VortexOptics.com or page 4.

SPECIFICATIONS

SKU	MAGNIFICATION X OBJECTIVE LENS	RETICLE OPTIONS	WEIGHT	LENGTH	EYE RELIEF (MAX POWER)	FIELD OF VIEW @ 100 YARDS	TUBE SIZE	TURRET STYLE	ADJUSTMENT GRADUATION	TOTAL ELEVATION TRAVEL	TOTAL WINDAGE TRAVEL	TRAVEL PER ROTATION	PARALLAX (YARDS)
CF2-31045	6-24 x 50 A0	Dead-Hold BDC	23.6 oz	14.5"	4.0"	17.3 - 4.4'	30mm	Capped	1/4 MOA	40 MOA	40 MOA	15 MOA	10 to Infinity
CF2-31039	4-16 x 50 A0			14.2"	3.7"	25.3 - 7.0'			1/4 MOA	50 MOA	50 MOA	15 MOA	25 to Infinity
CF2-31049	3-12 x 56 A0	V-Brite	21.1 oz	14.3"	3.5"	36.7 - 9.2'			1/4 MOA	60 MOA	60 MOA	15 MOA	10 to Infinity
CF2-31037	1-4 x 24			16.0 oz	9.8"	4.0"			96.1 - 24.1'	1/2 MOA	100 MOA	100 MOA	30 MOA

Dual Use

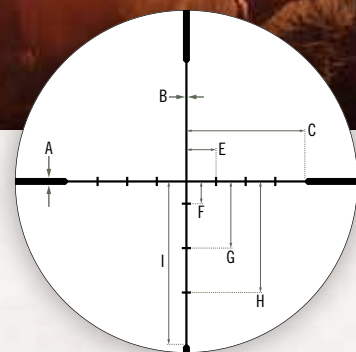
"WHILE DRIVING OVER SOME REALLY ROUGH TERRAIN MY RIFLE WAS EJECTED FROM THE UTV RIGHT INTO A PILE OF ROCKS. I WENT BACK TO CAMP TO TEST FIRE AND WAS IN DISBELIEF. THE SCOPE WAS DEAD ON."

—Paul, Texas



V-BRITE® RETICLE

RETICLE SUBTENSIONS	V-BRITE MOA		
	A	B	D
3-12 x 56 A0	.75	.25	.5
1-4 x 24	2.3	.59	1.5



DEAD-HOLD® BDC RETICLE

RETICLE SUBTENSIONS	DEAD-HOLD BDC MOA								
	A	B	C	E	F	G	H	I	
6-24 x 50 A0	.4	.1							
4-16 x 50 A0	.45	.11	8.0	2.0	1.5	4.5	7.5	11.0	

NOTE: Reticle images shown for representation only. Reticle image varies between scope models depending on magnification and reticle plane. The letters on the reticle images refer to the subtenions in the chart.



CROSSFIRE® II

1-INCH TUBE RIFLESCOPES



Look for this scope up on a mountain or out in the field helping to bag dinner. The 1-inch Crossfire® II line offers all the same features of our 30mm configurations, while offering an expanded line of magnifications and reticle choices. You may like the great price but you'll love the long eye relief, fast focus eyepiece, resettable turrets, fully multi-coated lenses, and the solid, high performance.

IT'S NICE KNOWING WHEN HE SHOWS UP
YOU'RE READY

▶ 1-INCH TUBE

▶ RESETTABLE TURRETS



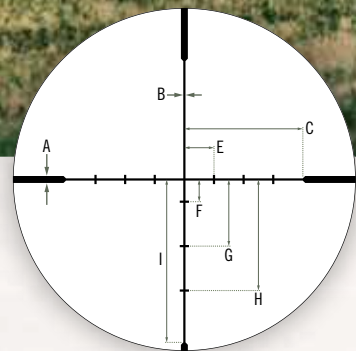
KEY FEATURES



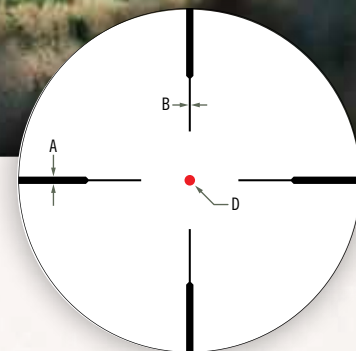
NOTE: For description and detailed information visit www.VortexOptics.com or page 4.

**"PEOPLE THINK I PAID MORE THAN I DID FOR THIS SCOPE.
WORKS GREAT AND QUITE CLEAR FOR THE PRICE."**

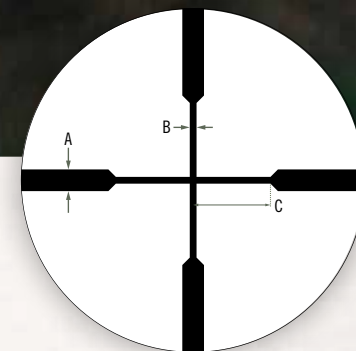
—Wildnovascotia, Nova Scotia



DEAD-HOLD® BDC RETICLE



V-BRITE® RETICLE



V-PLEX RETICLE

RETICLE SUBTENSIONS	DEAD-HOLD BDC MOA								
	A	B	C	E	F	G	H	I	
6-18 x 44 A0	.4	.1							
4-12 x 50 A0									
4-12 x 40 A0									
4-12 x 44	.8	.3	8.0	2.0	1.5	4.5	7.5	11.0	
3-9 x 50									
3-9 x 40									
2-7 x 32	.9	.4							

RETICLE SUBTENSIONS	V-BRITE MOA		
	A	B	D
6-18 x 44 A0	.45	.12	.4
3-9 x 50			
3-9 x 40	.9	.25	.65

RETICLE SUBTENSIONS	V-PLEX MOA		
	A	B	C
4-12 x 44			
3-9 x 40	.8	.3	2.85
2-7 x 32	.57	.17	

NOTE: Reticle images shown for representation only. Reticle image varies between scope models depending on magnification and reticle plane. The letters on the reticle images refer to the subtensions in the chart.

SKU	MAGNIFICATION X OBJECTIVE LENS	RETICLE OPTIONS	WEIGHT	LENGTH	EYE RELIEF (MAX POWER)	FIELD OF VIEW @ 100 YARDS	TUBE SIZE	TURRET STYLE	ADJUSTMENT GRADUATION	TOTAL ELEVATION TRAVEL	TOTAL WINDAGE TRAVEL	TRAVEL PER ROTATION	PARALLAX (YARDS)
CF2-31033	6-18 x 44 A0	Dead-Hold BDC	19.6 oz	13.5"	3.7"	15.2 - 5.3'	1"	Capped	¼ MOA	50 MOA	50 MOA	15 MOA	10 to Infinity
CF2-31029		V-Brite	20.6 oz										
CF2-31023	4-12 x 50 A0	Dead-Hold BDC	19.2 oz	14.2"	3.9"	25.7 - 8.4'	1"	Capped	¼ MOA	50 MOA	50 MOA	15 MOA	100
CF2-31019	4-12 x 40 A0		19.2 oz	13.6"	3.9"								
CF2-31015	4-12 x 44	Dead-Hold BDC	17.2 oz	13.1"	3.9"	24.7 - 8.4'	1"	Capped	¼ MOA	60 MOA	60 MOA	15 MOA	100
CF2-31013		V-Plex	17.2 oz										
CF2-31011	3-9 x 50	Dead-Hold BDC	18.4 oz	12.7"	3.8"	32.0 - 12.9'	1"	Capped	¼ MOA	60 MOA	60 MOA	15 MOA	100
CF2-31027		V-Brite	18.6 oz										
CF2-31005	3-9 x 40	V-Plex	15.0 oz	12.0"	3.8"	34.1 - 12.6'	1"	Capped	¼ MOA	60 MOA	60 MOA	15 MOA	100
CF2-31007		Dead-Hold BDC	15.0 oz										
CF2-31025	2-7 x 32 Scout	V-Brite	16.2 oz	12.0"	9.45"	18.3 - 5.2'	1"	Capped	¼ MOA	60 MOA	60 MOA	15 MOA	100
CF2-31002		V-Plex	12.0 oz										
CF2-31003	2-7 x 32	Dead-Hold BDC	14.3 oz	11.3"	3.9"	42.0 - 12.6'	1"	Capped	¼ MOA	60 MOA	60 MOA	15 MOA	100
CF2-31001		V-Plex	14.3 oz										
CF2-31001R	2-7 x 32 Rimfire	V-Plex											50

Dual Use





AVOID THE FLIPCAP BONEYARD

DEFENDER® FLIP CAPS

RIFLESCOPE ACCESSORIES

This is the last flip cap you will ever need! Virtually indestructible, this cap fits snugly on nearly all Vortex riflescopes and features a snap flat spring to keep your line of sight unobstructed.

Rifle ranges are littered with broken flip caps. This is one cap you will most likely never see in a flip cap bone yard. The eyepiece cap has three stop positions. The first is vertical, to put your Dope Disk® (optional accessory) literally right in your face. The second at 45° and the third at 90° to lay flat.

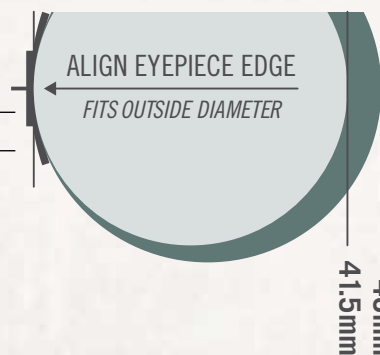


"THESE CAPS ARE HEAVY DUTY AND FAR MORE DURABLE THAN ANY OTHER CAPS I'VE EVER USED. THESE THINGS FIT LIKE A GLOVE ON YOUR SCOPE AND ARE VERY SNUG."

—Otis B., Wisconsin

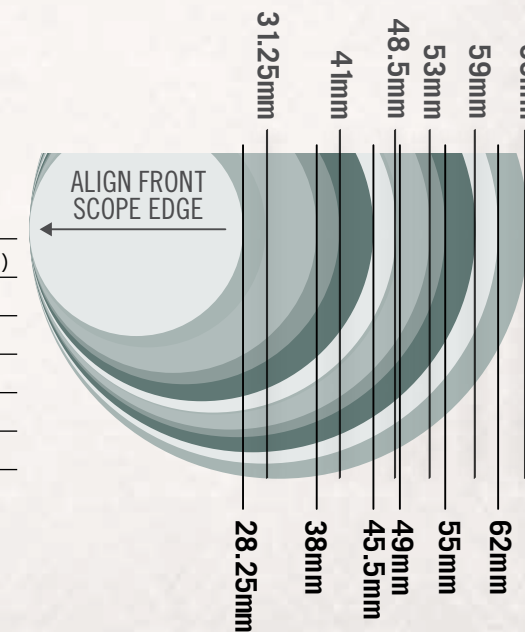
DEFENDER® FLIP CAP EYEPIECE:

E-10 41.5 - 46mm (1.6 - 1.8 in)



DEFENDER® FLIP CAP OBJECTIVE:

0-24	28.25 - 31.25mm (1.1 - 1.2 in)
0-32	38 - 41mm (1.5 - 1.6 in)
0-40	45.5 - 48.5mm (1.8 - 1.9 in)
0-44	49 - 53mm (1.9 - 2.1 in)
0-50	55 - 59mm (2.2 - 2.3 in)
0-56	62 - 66mm (2.4 - 2.6 in)



VISIT: www.VortexOptics.com for more detailed information.



Unlimited.
Unconditional.
Lifetime Warranty.



BEST WARRANTY IN THE BUSINESS

Because we know life happens - but don't just take our word for it, check out the true stories and hear what people are saying. » www.vortexoptics.com

NOTE: The VIP Warranty does not cover loss, theft, deliberate damage or cosmetic damage not affecting product performance.





RAZOR® AMG™ UH-1™

HOLOGRAPHIC SIGHT

The incredible features of the Razor® AMG™ UH-1™ are matched only by its tough, tenacious performance. Absolute zero distortion and an impressive sight picture with unobstructed view ensure rapid, instinctual target acquisition.

The scratchproof XR™ Plus fully multi-coated windows and holographic elements are incredibly durable and promote optimal light transmission. All sensitive components are protected in the base of the sight, increasing durability, while eliminating the need for an obstructive secondary shroud.

THE NEW FORCE IN
HOLOGRAPHIC WEAPON TECHNOLOGY

▶ MICRO USB PORT

For use with LFP123A rechargeable battery.

▶ UNLIMITED EYE RELIEF

Non-critical eye relief for rapid target acquisition.

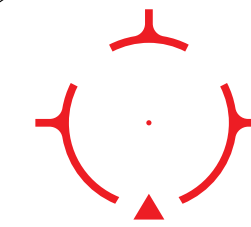
KEY FEATURES



NOTE: For description and detailed information visit www.VortexOptics.com or page 4.

FHQ™ TECHNOLOGY

Virtually eliminates stray light emissions for stealth-shooter-signature in low light and prevents eyepiece glare common to other holographic sights.



EBR-CQB

The clean, highly versatile, purpose-built reticle creates optimal target engagement in a wide range of scenarios.

SPECIFICATIONS

SKU	MAGNIFICATION	RETICLE COLOR	WEIGHT	LENGTH	EYE RELIEF	DOT SIZE	ADJUSTMENT GRADUATION	TOTAL ELEVATION TRAVEL	TOTAL WINDAGE TRAVEL	TRAVEL PER ROTATION	PARALLAX (YARDS)	BATTERY
RZR-AMG-3	1x	Bright Red	11.8 oz	3.6"	Unlimited	1 MOA	½ MOA	100 MOA	100 MOA	16 MOA	**Parallax Free	CR123A Included LFP123A

Dual Use

VISIT: VortexOptics.com for more detailed information on specs, reticles, and features.

** See website for details



FIGHT FAST, FIGHT LIGHT
FIGHT STRONG



SPARC® AR

RED DOT

Simple—Fast—Effective—Point and Shoot. When you boil it down, those are the advantages of a red dot sight. That's what the SPARC® AR delivers – all in a durable, lightweight, compact, and ultra-clean package. Digital, rear-facing controls for power and dot brightness. 2 MOA dot promotes precise point of aim. Automatically returns to last dot intensity used when powered up.

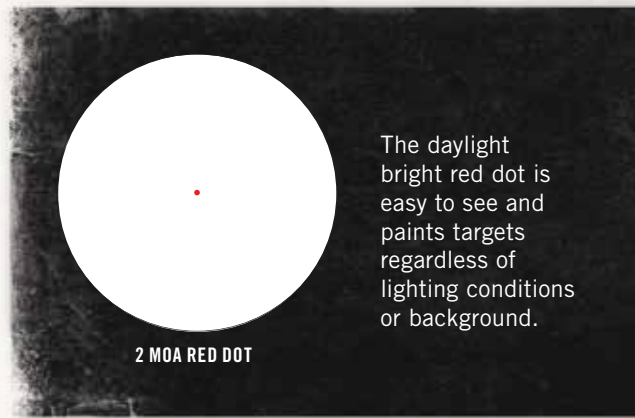
Unlimited eye relief and parallax free, the SPARC AR gets shooters on target fast. Waterproof, fogproof, and shockproof for ultimate durability. Unit automatically shuts off after 12 hours to prevent accidental battery rundown and operates using a common AAA battery. Duty rifle, home defense, recreation, the SPARC AR is built to handle all your red dot needs.



► **BRIGHTNESS SETTINGS**
10 different levels.

► **UNLIMITED EYE RELIEF**
Non-critical eye relief for rapid target acquisition.

► **BATTERY COMPARTMENT**
Operates using a common AAA battery.



2 MOA RED DOT

The daylight bright red dot is easy to see and paints targets regardless of lighting conditions or background.

KEY FEATURES



NOTE: For description and detailed information visit www.VortexOptics.com or page 4.

"THIS THING IS INSANE FOR GOING TARGET TO TARGET. NICE VIVID DOT SHOWS IN ANY CONDITION."

—Tyler, Ohio

LONG BATTERY LIFE

DOT COLOR	MAXIMUM BRIGHTNESS	MINIMUM BRIGHTNESS
Bright Red	300 Hours	5,000 Hours

SPECIFICATIONS

SKU	MAGNIFICATION	DOT COLOR	WEIGHT	LENGTH	EYE RELIEF	DOT SIZE	ADJUSTMENT GRADUATION	TOTAL ELEVATION TRAVEL	TOTAL WINDAGE TRAVEL	PARALLAX (YARDS)	BATTERY
SPC-AR1	1x	Bright Red	7.5 oz	2.9"	Unlimited	2 MOA	1 MOA	90 MOA	90 MOA	Parallax Free	**AAA

Dual Use

VISIT: VortexOptics.com for more detailed information on specs or reticles.

**Lithium Battery recommended



STRIKEFIRE® II

RED DOTS

If you want a high-quality red dot sight but don't want to break the bank, the StrikeFire® II is a great choice. The sleek, rear-facing controls allow for easy adjustment of its ten dot intensity levels; the lowest two settings are night-vision compatible. It features a 30mm aluminum alloy chassis, extra-high recoil rating, and is waterproof and fogproof for ultimate reliability.

► UNLIMITED EYE RELIEF

Non-critical eye relief for rapid target acquisition.

► BRIGHTNESS SETTINGS

10 different levels.



► CANTILEVER MOUNT

Puts the optic bore center 40mm above the base, providing lower 1/3 co-witness with iron sights on flat top AR-15 rifles.



NOTE: For description and detailed information visit www.VortexOptics.com or page 4.

KEY FEATURES

SPECIFICATIONS

SKU	MAGNIFICATION	DOT COLOR	WEIGHT	LENGTH	EYE RELIEF	DOT SIZE	ADJUSTMENT GRADUATION	TOTAL ELEVATION TRAVEL	TOTAL WINDAGE TRAVEL	PARALLAX (YARDS)	BATTERY
SF-BR-503	1x	Bright Red	7.2 oz	5.6"	Unlimited	4 MOA	½ MOA per click; 25 MOA per rotation	100 MOA	100 MOA	Parallax Free	CR2
SF-RG-501		Red / Green									

Dual Use

VISIT: VortexOptics.com for more detailed information on specs or reticles.



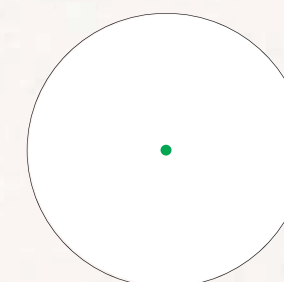
VMX-3T

Go from 1x to 3x in one quick move. Add the ultimate in versatility to your red dot sight with the VMX-3T magnifier.

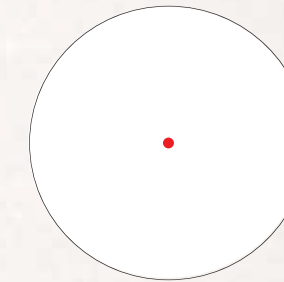


SKU	VMX-3T MAGNIFICATION	WEIGHT	HEIGHT X WIDTH	EYE RELIEF	FIELD OF VIEW @ 100 YARDS
VMX-3T	3x	7.6 oz	1.7 x 4.3"	2.2"	38.2'

VMX-3T MAGNIFIER: Sold separately.



4 MOA GREEN DOT



4 MOA RED DOT

LONG BATTERY LIFE

DOT COLOR	MAXIMUM BRIGHTNESS	MINIMUM BRIGHTNESS
Bright Red	400 Hours	7,000 Hours
Red/Green	300 Hours	6,000 Hours

"IT'S PERFECT FOR THE PURPOSE MY AR-15 WAS BUILT TO SERVE - AS A RECREATIONAL SHOOTER AND SELF-DEFENSE RIFLE."

—Matt, Utah



CROSSFIRE®

RED DOT

For close-in work and general shooting, it's tough to beat a quality red dot sight. The super-light, ultra-compact, insanely-fast-on-target, incredibly durable, Crossfire® Red Dot is exactly that. Not only does this sight absolutely rock, it does so at a price that's hotter than a \$2 pistol.

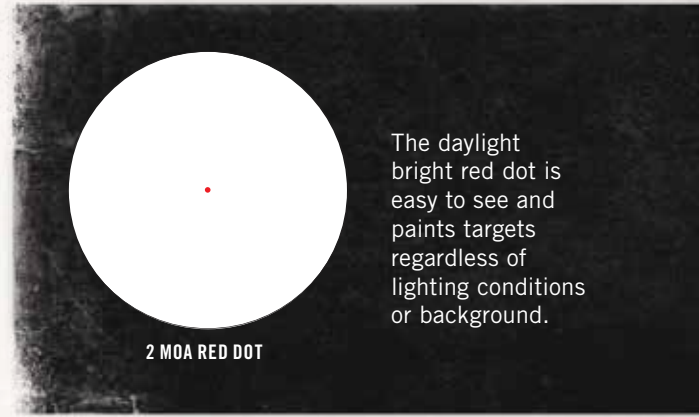
The daylight-bright, 2 MOA dot is easy to acquire and promotes rapid acquisition of targets, yet is fine enough to precisely engage targets at distance. 11 intensity levels of brightness let shooters adjust the dot intensity to the situation at hand. Skeletonized mount offers two height options – lending its functionality to AR-15's, shotguns, and pistols.



► **BRIGHTNESS SETTINGS**
11 intensity levels.

► **SKELETONIZED MOUNT INCLUDED**
Offers two mounting-height options

NEW 2018



The daylight bright red dot is easy to see and paints targets regardless of lighting conditions or background.

2 MOA RED DOT

KEY FEATURES



NOTE: For description and detailed information visit www.VortexOptics.com or page 4.

SPECIFICATIONS

SKU	MAGNIFICATION	DOT COLOR	WEIGHT	LENGTH	EYE RELIEF (MAX POWER)	DOT SIZE	ADJUSTMENT GRADUATION	TOTAL ELEVATION TRAVEL	TOTAL WINDAGE TRAVEL	PARALLAX (YARDS)	BATTERY
CF-RD1	1x	Bright Red	5.2 oz	2.5"	Unlimited	2 MOA	1 MOA	100 MOA	100 MOA	Parallax Free	CR2032

Dual Use

VISIT: VortexOptics.com for more detailed information on specs or reticles.

BIG PUNCH
TINY DOT



VORTEX

PISTOLS, SHOT GUNS, RIFLES.
OH MY!

www.VortexOptics.com



VORTEX OPTICS

RED DOTS

52

Razor®

RAZOR®

RED DOT

▶ **UNLIMITED EYE RELIEF**
Non-critical eye relief for rapid target acquisition.



KEY FEATURES



NOTE: For description and detailed information visit www.VortexOptics.com or page 4.

www.VortexOptics.com



VORTEX OPTICS

VIPER® & VENOM®

RED DOTS

▶ **PREMIUM WIDE-FIELD**
Exceptional edge-to-edge resolution. (Venom only)



KEY FEATURES



▶ **UNLIMITED EYE RELIEF**
Non-critical eye relief for rapid target acquisition.

NOTE: For description and detailed information visit www.VortexOptics.com or page 4.

Viper® and Venom®

53

RED DOTS

RAZOR®

RED DOTS



The Razor® Red Dot is a high-end reflex sight built for top-tier performance and incredible versatility on anything from an AR to a pistol. Fast, accurate, clear, compact, durable, and downright dependable. This red dot is worthy of the Razor name.



VERSATILE MOUNTING OPTIONS:

Truly at home on an AR, shotgun, or offset-mounted alongside your primary magnified optic, the compact Razor® ensures rapid accurate target acquisition every time. Mounts are available individually.

LONG BATTERY LIFE

Average Battery Use at Highest Setting	150 Hours*
Average Battery Use at Low Setting	30,000 Hours*

*Estimated hours

VISIT: VortexOptics.com for more detailed information on specs or reticles.

SPECIFICATIONS

SKU	MAGNIFICATION	DOT COLOR	WEIGHT	LENGTH	EYE RELIEF (MAX POWER)	DOT SIZE	ADJUSTMENT GRADUATION	TOTAL ELEVATION TRAVEL	TOTAL WINDAGE TRAVEL	PARALLAX (YARDS)	BATTERY
RZR-2001	1x	Bright Red	1.4 oz	1.8"	Unlimited	3 MOA	1 MOA	170 MOA	114 MOA	Parallax Free	CR2032
RZR-2003						6 MOA					

Dual Use

VIPER®

RED DOT



The Viper® Red Dot's super-low mounting height makes it the perfect solution for handguns with cutout slides. Gives shooters the simplicity and speed advantage of a dot sight, while co-witnessing with stock iron sights. The trade off? Nothing. The left-side up/down power and illumination controls are easy to access and manipulate. Recessed 1 MOA windage and elevation adjustments are super clean, protected from incidental contact, and always at the ready. It runs on a CR2032 battery.



LONG BATTERY LIFE

VENOM® AND VIPER®	
Average Battery Use at Highest Setting	150 Hours*
Average Battery Use at Low Setting	30,000 Hours*

*Estimated hours

SPECIFICATIONS

SKU	MAGNIFICATION	DOT COLOR	WEIGHT	LENGTH	EYE RELIEF (MAX POWER)	DOT SIZE	ADJUSTMENT GRADUATION	TOTAL ELEVATION TRAVEL	TOTAL WINDAGE TRAVEL	PARALLAX (YARDS)	BATTERY
Viper® Red Dot											
VRD-6	1x	Bright Red	1.1 oz	1.8"	Unlimited	6 MOA	1 MOA	120 MOA	120 MOA	Parallax Free	CR2032
Venom® Red Dot											
VMD-3106	1x	Bright Red	1.1 oz	1.9"	Unlimited	6 MOA	1 MOA	130 MOA	100 MOA	Parallax Free	CR1632
VMD-3103						3 MOA					

Dual Use

VISIT: VortexOptics.com for more detailed information on specs or reticles.

VENOM®

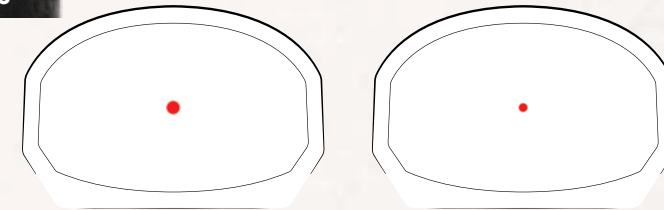
RED DOTS



Make your AR, pistol, or shotgun even more poisonous with the Venom® Red Dot sight. Choose 3 or 6 MOA for rapid target acquisition or precise point of aim. The durable, machined aluminum housing ensures the unit will stand up to whatever you throw at it. Top-load system makes changing the CR1632 battery a snap and alleviates the need to remove the sight when switching the power source. The power and dot intensity controls are conveniently located on the left side of the unit. Flush 1 MOA windage and elevation adjustments are super sleek and make sighting-in a breeze.



RETICLES



6 MOA RED DOT

3 MOA RED DOT



FIXED POWER
UNLIMITED POSSIBILITIES



SPITFIRE™

PRISM SCOPE

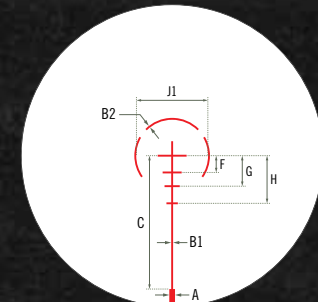
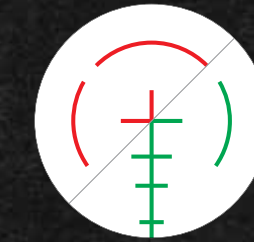
When you need fast target acquisition in close to medium-range shooting scenarios, the Spitfire™ 3x excels. Built for AR platform rifles, it combines an impressive array of high-performance features into a rugged, ultra-compact package. The sophisticated prism-based design allows for a more compact optical system, without sacrificing a shred of optical quality. Easily switches between red or green illuminated reticle with five intensity levels. The reticle is etched directly on the prism to ensure you have point-of-aim at all times, even when the illumination is not engaged.

► PRISM-BASED DESIGN

Prism-based design combines an ultra-compact optic with a sharp, precise reticle for more accurate shots and bright images.

► ILLUMINATION CONTROL

Illumination Control offers red/green option with five levels of brightness.



EBR-556B MOA RETICLE

This BDC reticle is designed around the 5.56 x 45 cartridge. This reticle aids in rapid shooting at both near and far distances and provides holdover and ranging references from 0-500 yards.

MODEL	EBR-556B MOA							
	A	B1	B2	C	F	G	H	J1
3x	1.5	.5	.5	35	4.4	8	12.5	18.85

KEY FEATURES



NOTE: For description and detailed information visit www.VortexOptics.com or page 4.

SPECIFICATIONS

SKU	MAGNIFICATION X OBJECTIVE LENS	RETICLE OPTIONS	WEIGHT	LENGTH	EYE RELIEF	FIELD OF VIEW @ 100 YARDS	LENS DIAMETER	ADJUSTMENT GRADUATION	TOTAL ELEVATION TRAVEL	TOTAL WINDAGE TRAVEL	PARALLAX (YARDS)
SPR-1303	3x	EBR-556B MOA	15.4 oz	5.5"	2.8"	31.5'	32mm	½ MOA	120 MOA	120 MOA	100

Dual Use

VISIT: VortexOptics.com for more detailed information on specs or reticles.



WHEN SPEED KILLS
AND ACCURACY COUNTS

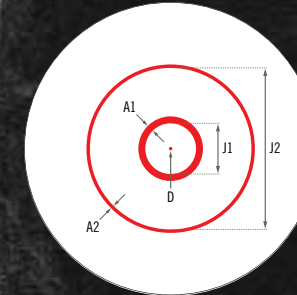


SPITFIRE™ AR

PRISM SCOPE

Built from the ground up specifically to maximize the quick-handling performance of AR-platform rifles, the Spitfire™ AR 1x prism scope delivers incredible optical quality and ultra-fast functionality in a lightweight, streamlined package. The generous parallax-free sight picture and forgiving eyepiece gets shooters on target effortlessly—even in high-stress scenarios.

At 11.2 ounces the lightweight Spitfire AR excels in close to medium range shooting applications where speed is of the essence, making it the ideal choice for AR shooters who need to get on target fast.



DRT MOA

The DRT (Dual Ring Tactical) reticle is designed for rapid shooting at close distances. The dual ring design pulls the eye into instant alignment with the reticle center and target.

► PRISM-BASED DESIGN

Prism-based design combines an ultra-compact optic with a sharp, precise reticle for more accurate shots and bright images.



KEY FEATURES



NOTE: For description and detailed information visit www.VortexOptics.com or page 4.

SPECIFICATIONS

SKU	MAGNIFICATION X OBJECTIVE LENS	RETICLE OPTIONS	WEIGHT	LENGTH	EYE RELIEF	FIELD OF VIEW @ 100 YARDS	LENS DIAMETER	ADJUSTMENT GRADUATION	TOTAL ELEVATION TRAVEL	TOTAL WINDAGE TRAVEL	PARALLAX (YARDS)	BATTERY
SPR-200	1x	DRT MOA	11.2 oz	4.3"	3.8"	79'	25mm	½ MOA	120 MOA	120 MOA	Parallax Free	**AAA

Dual Use

VISIT: VortexOptics.com for more detailed information on specs or reticles.

**Lithium Battery recommended

Unlimited.
Unconditional.
Lifetime Warranty.



BEST WARRANTY IN THE BUSINESS

Because we know life happens - but don't just take our word for it, check out the true stories and hear what people are saying. » www.vortexoptics.com

NOTE: The VIP Warranty does not cover loss, theft, deliberate damage or cosmetic damage not affecting product performance.





WHEN USING THE RANGER
PLAN ON WORKING LATE

RANGER® 1800 & 1300

RANGEFINDERS

Updated for 2018 with even greater ranging capability, Ranger® Rangefinders give hunters and shooters distance data needed to make accurate shots. Easy to use with a clean display and highly intuitive menu, the Rangers keep things simple, yet provide a high level of performance. Primary HCD (Horizontal Component Distance) mode displays an angle-compensated distance reading. Three reticle brightness settings match ambient light conditions. Scan Mode gives range readings as you pan across the landscape or track a moving animal. Adjustable, utility clip secures the unit to a belt, pocket, pack, or other flat-edged surface. Fully multi-coated lenses deliver optimal light transmission. O-ring sealed for waterproof performance. Ideal for gun hunters, target shooters and bowhunters, Ranger rangefinders put the odds of accurate down-range impacts in your favor.

NEW 2018

Ranger®

63

RANGEFINDERS

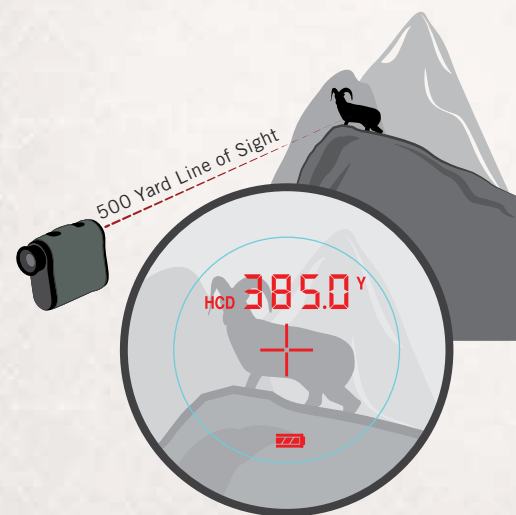
▶ **HCD (HORIZONTAL COMPONENT DISTANCE)**
This feature compensates for angle when ranging.

▶ **RANGING FORMAT**
Range in yards or meters.

NEW 2018

▶ **INTUITIVE DISPLAY**
Easy-to-use menu with a simple, clean display.

▶ **UTILITY CLIP**
Provides quick, convenient access.



HCD CORRECTED SHOOT-TO RANGE

▶ **THREE RANGING MODES**

1. Horizontal Component Distance (HCD) mode displays the angle compensated distance to the target. This is the primary mode used by most bow and rifle hunters.
2. Scan mode displays distance readings when panning across a landscape or tracking a moving animal.
3. Line of Sight (LOS) mode displays the actual line of sight range. This mode is used by shooters making high-angle/long-distance shots in conjunction with angle corrected ballistic range cards or an application on a mobile device. Display also shows an incline angle.

"THE FEATURES ARE AMAZING, THE CLARITY IS OUTSTANDING, BUT IT WAS THE SIZE THAT JUST BLEW ME AWAY. WHO EVER SAID BIG THINGS CAN COME IN SMALL PACKAGES WAS CORRECT."

—Luv2xclr8, TN

▶ **SPECIFICATIONS**

SKU	MAGNIFICATION	OPTICAL LENS DIAMETER	EYE RELIEF	FIELD OF VIEW @ 1000 YARDS / DEGREES	MIN. REFLECTIVE RANGE	MAX REFLECTIVE RANGE	WEIGHT	WIDTH X LENGTH
RRF-181	6x	22mm	17mm	315' / 6.0°	9 yards	1800 yards	7.7 oz	3.0 x 3.9"
RRF-131	6x	22mm	17mm	315' / 6.0°	9 yards	1300 yards	7.7 oz	3.0 x 3.9"

VISIT: www.VortexOptics.com for more detailed information.

▶ **KEY FEATURES**



NOTE: For description and detailed information visit www.VortexOptics.com or page 4.



IMPACT®

RANGEFINDER

Simply put, with the high-performing Impact® 850 and its economical price tag, you don't have an excuse to head afield without a laser rangefinder. Accurately ranges reflective targets to 850 yards, providing critical distance readings hunters and shooters can rely on. Range targets down to 10 yards when things get up close and personal.

6X magnification brings subjects in for a closer look and more accurate ranging. Fully multi-coated optics enhance light transmission for optimal performance in low-light settings. Provides angle-compensated HCD (Horizontal Component Distance) and LOS (Line of Sight) readings to match user preference. Can be set to read in yards or meters. The black LCD display boldly stands off against subjects during the moment of truth – and a fast readout ensures you get the range in time to capitalize on the opportunity.

PREPARE
FOR IMPACT

▶ **HCD (HORIZONTAL COMPONENT DISTANCE)**

This feature compensates for angle when ranging.

▶ **RANGING FORMAT**

Range in yards or meters.

▶ **INTUITIVE DISPLAY**

Easy-to-use menu with a simple, clean display.



SPECIFICATIONS

SKU	MAGNIFICATION	OPTICAL LENS DIAMETER	EYE RELIEF	FIELD OF VIEW @ 1000 YARDS / DEGREES	MIN. REFLECTIVE RANGE	MAX REFLECTIVE RANGE	WEIGHT	WIDTH X LENGTH
LRF100	6x	20mm	15mm	341' / 6.5°	10 yards	850 yards	5.5 oz	2.95 x 3.77"

VISIT: www.VortexOptics.com for more detailed information.

KEY FEATURES



NOTE: For description and detailed information visit www.VortexOptics.com or page 4.



RAZOR® HD

FULL SIZE ROOF PRISM BINOCULARS

Razor® HD binoculars, the pinnacle of the Vortex line, offer the ultimate combination of advanced optical technologies and premium components in a lightweight, ergonomic package. Hand-selected prisms and HD optical system delivers unparalleled resolution and color fidelity, resulting in astonishingly sharp, high-definition images. The lenses, fully multi-coated with Vortex's proprietary XR™ Plus anti-reflective coatings, guarantee maximum brightness and glassing confidence during critical low-light periods. The true open hinge design, coupled with its magnesium chassis, makes the Razor lightweight, ultra-tough, and optimally ergonomic. Give yourself the edge with the Razor HD.



BINOCULARS 66 Razor® HD

SPECIFICATIONS

SKU	MODEL	INTERPUPILLARY DISTANCE (MM)	EYE RELIEF (MM)	CLOSE FOCUS	FIELD OF VIEW (@ 1,000 YARDS / DEGREES)	WEIGHT	HEIGHT X WIDTH
RZB-2104	12 x 50	57 - 74	15.5	10.0'	285' / 5.4°	28.7 oz	6.8 x 5.1"
RZB-2103	10 x 50		16.5		315' / 6.0°	28.1 oz	
RZB-2102	10 x 42	55 - 75	16.5	6.0'	362' / 6.9°	24.8 oz	5.9 x 5.1"
RZB-2101	8 x 42		17.5		388' / 7.4°	24.2 oz	

VISIT: www.VortexOptics.com for more detailed information.

KEY FEATURES



NOTE: For description and detailed information visit www.VortexOptics.com or page 4.



ALL THE
ADVANTAGES

BINOCULARS 67 Razor® HD

KAIBAB® HD

FULL SIZE ROOF PRISM BINOCULARS

The Kaibab® HD 18x56 is the ultimate long-distance western-hunting binocular. When serious patience and superior optics are required to locate trophy animals at extreme distances, the Kaibab HD delivers the premium-quality, high-magnification optical performance you need to get the job done. Intended to be used with a tripod for extended, comfortable, rock-steady viewing. Ultra-comfortable twist-up eyecups are perfect for long glassing sessions. Visually tear apart open landscapes in pursuit of tough-to-locate trophy big game with the Kaibab HD.



NEW
2018

KEY FEATURES



NOTE: For description and detailed information visit www.VortexOptics.com or page 4.

SPECIFICATIONS

SKU	MODEL	INTERPUPILLARY DISTANCE (MM)	EYE RELIEF (MM)	CLOSE FOCUS	FIELD OF VIEW (@ 1,000 YARDS / DEGREES)	WEIGHT	HEIGHT X WIDTH
KAI-5618	18 x 56	60 - 76	16.4	10.0'	194' / 3.7°	43.5 oz	7.7 x 5.7"

VISIT: www.VortexOptics.com for more detailed information.

www.VortexOptics.com



VORTEX OPTICS

VULTURE® HD

FULL SIZE ROOF PRISM BINOCULAR

Increase your spot-to-walk ratio with the Vulture® HD 15x56. Perfect for wide-open western landscapes where intense scrutiny of game-hiding terrain is a primary hunting tactic. Phase-corrected roof prisms, fully multi-coated lenses with proprietary XR™ anti-reflective coatings deliver super-bright images, edge-to-edge. Ultra-hard ArmorTek® coating on exterior lenses protects against scratches, oil, and dirt. Long-range tripod glassing is an art, let the Vulture HD be your brush.



KEY FEATURES



NOTE: For description and detailed information visit www.VortexOptics.com or page 4.

SPECIFICATIONS

SKU	MODEL	INTERPUPILLARY DISTANCE (MM)	EYE RELIEF (MM)	CLOSE FOCUS	FIELD OF VIEW (@ 1,000 YARDS / DEGREES)	WEIGHT	HEIGHT X WIDTH
VR-1556	15 x 56	59 - 74	15.0	15.0'	226' / 4.3°	43.6 oz	7.6 x 5.8"

VISIT: www.VortexOptics.com for more detailed information.

www.VortexOptics.com



VORTEX OPTICS

NEW 2018

BINOCULARS

68

Kaibab® HD

Vulture® HD

69

BINOCULARS

VIPER® HD

FULL/MID SIZE ROOF PRISM BINOCULARS

Viper® HD binoculars not only knock on the door of top-tier optical performance, they wedge a foot in. Wingman to our Razor® line, the advanced optical system in this powerhouse uses XR™ fully multi-coated lenses for stunning image quality and superior light transmission. No matter the hunt, Viper HD's are up to the task. Period.



BINOCULARS 70 Viper® HD

SPECIFICATIONS

SKU	MODEL	INTERPUPILLARY DISTANCE (MM)	EYE RELIEF (MM)	CLOSE FOCUS	FIELD OF VIEW (@ 1,000 YARDS / DEGREES)	WEIGHT	HEIGHT X WIDTH
VPR-5015-HD	15 x 50		16.0	8.2'	210' / 4.0°	28.4 oz	
VPR-5012-HD	12 x 50	59 - 75	15.0	8.5'	252' / 4.8°	28.0 oz	6.7 x 5.2"
VPR-5010-HD	10 x 50		19.5	8.2'	278' / 5.3°	28.4 oz	
VPR-4210-HD	10 x 42		16.5	5.1'	319' / 6.1°	24.6 oz	
VPR-4208-HD	8 x 42	59 - 75	20.0		347' / 6.6°	24.2 oz	5.8 x 5.3"

VISIT: www.VortexOptics.com for more detailed information.

www.VortexOptics.com  VORTEX OPTICS


KEY FEATURES



NOTE: For description and detailed information visit www.VortexOptics.com or page 4.

VIPER HD BINOCULARS
#1 IN FREEZER SALES



www.VortexOptics.com  VORTEX OPTICS

BINOCULARS 71 Viper® HD

FURY® HD

MID SIZE ROOF PRISM LASER RANGEFINDING BINOCULAR

High quality optics and long-distance ranging capability come to together in our Fury® HD 10x42 Laser Rangefinding Binocular. Convenience, speed, efficiency, and valuable dual-purpose functionality—all the advantages of a high-definition binocular perfectly paired with an angle compensated rangefinder. Right side controls are simple to use and easily manipulated with a single hand – leaving your other hand free to hold your bow, rifle, or other important piece of equipment.



SPECIFICATIONS

SKU	MODEL	INTERPUPILLARY DISTANCE (MM)	EYE RELIEF (MM)	CLOSE FOCUS	FIELD OF VIEW (@ 1,000 YARDS / DEGREES)	REFLECTIVE RANGE (YARDS)	WEIGHT	HEIGHT X WIDTH
LRF300	10 x 42	54 - 69	16.0	20.0'	314.4' / 6.0°	10 - 1600	31.8 oz	5.8 x 5.9"

VISIT: www.VortexOptics.com for more detailed information.

KEY FEATURES



NOTE: For description and detailed information visit www.VortexOptics.com or page 4.

SUCCESS AT YOUR
FINGERTIPS





INCREDIBLE PERFORMANCE
INCREDIBLE PRICE

DIAMONDBACK®

The legendary Diamondback® binocular series redefines the price vs performance ratio in the world of optics. The short-hinge design and upscale sleek look grabs the eye and leaves more room for your hands—making them physically easy to hold. The optical system offers stunning views and impressive low-light performance. An ultra-wide field of view lets you efficiently cover ground and acquire subjects with ease.

SPECIFICATIONS

SKU	MODEL	INTERPUPILLARY DISTANCE (MM)	EYE RELIEF (MM)	CLOSE FOCUS	FIELD OF VIEW (@ 1,000 YARDS / DEGREES)	WEIGHT	HEIGHT X WIDTH
DB-207	12 x 50	60 - 75	14.0	7.0'	271' / 5.2°	28.7 oz	6.7 x 5.5"
DB-206	10 x 50		17.0		315' / 6.0°	29.6 oz	
DB-205	10 x 42	55 - 75	15.0	6.7'	330' / 6.3°	21.4 oz	5.8 x 5.1"
DB-204	8 x 42		17.0	5.0'	393' / 7.5°	21.8 oz	
DB-203	10 x 32	55 - 75	13.6	5.3'	340' / 6.5°	15.4 oz	4.5 x 4.6"
DB-202	8 x 32		15.6		426' / 8.1°	15.5 oz	
DB-201	10 x 28	55 - 74	16.0	6.5'	273' / 5.1°	13.5 oz	4.4 x 4.6"
DB-200	8 x 28		18.0		332' / 6.2°	14.0 oz	

VISIT: www.VortexOptics.com for more detailed information.

www.VortexOptics.com VORTEX OPTICS



KEY FEATURES



NOTE: For description and detailed information visit www.VortexOptics.com or page 4.



OWLS LIVE IN TREES AND HAVE AMAZING EYESIGHT
NOW YOU DO TOO

CROSSFIRE®

FULL/MID SIZE ROOF PRISM BINOCULARS

Need a quality, performance-driven binocular that won't break the bank? Enter the Crossfire® series—their optical system, housing, and aesthetic push into a realm previously unheard of at this price point. Fully Multi-coated lenses promote impressive optical quality, while a wide field of view and enhanced depth of field ensure optimal subject acquisition. They may be the entry point in our roof prism lineup, but there is nothing entry-level about these binoculars.

SPECIFICATIONS

SKU	MODEL	INTERPUPILLARY DISTANCE (MM)	EYE RELIEF (MM)	CLOSE FOCUS	FIELD OF VIEW (@ 1,000 YARDS / DEGREES)	WEIGHT	HEIGHT X WIDTH
CF-4304	12 x 50	60 - 76	15.0	9.8'	273' / 5.2°	30.3 oz	6.6 x 5.4"
CF-4303	10 x 50		17.0		320' / 6.1°		
CF-4302	10 x 42	56 - 76	15.0	8.0'	325' / 6.2°	23.3 oz	6.0 x 5.1"
CF-4301	8 x 42		17.0	7.5'	393' / 7.5°	23.5 oz	6.2 x 5.1"

VISIT: www.VortexOptics.com for more detailed information.

www.VortexOptics.com VORTEX OPTICS



KEY FEATURES



NOTE: For description and detailed information visit www.VortexOptics.com or page 4.

BINOCULARS 74 Diamondback®

BINOCULARS 75 Crossfire®



MAKE THE JUMP
INTO GREAT OPTICS

RAPTOR™

MID SIZE PORRO PRISM BINOCULARS

Porro prism performance in a mid-size, wide-angle design, the Raptor™ binocular offers bright, crisp images with excellent color fidelity—even in low light conditions. The design accommodates a wide range of interpupillary distances to fit anyone in the family.



SPECIFICATIONS

SKU	MODEL	INTERPUPILLARY DISTANCE (MM)	EYE RELIEF (MM)	CLOSE FOCUS	FIELD OF VIEW (@ 1,000 YARDS / DEGREES)	WEIGHT	HEIGHT X WIDTH
R310	10 x 32	50 - 70	13.0	15.0'	339' / 6.3°	17.6 oz	4.5 x 5.7"
R385	8.5 x 32	50 - 70	14.0	15.0'	390' / 7.4°	17.3 oz	4.5 x 5.7"

VISIT: www.VortexOptics.com for more detailed information.

KEY FEATURES



NOTE: For description and detailed information visit www.VortexOptics.com or page 4.



NEVER LEAVE HOME WITHOUT
THE BEAR ESSENTIALS

VANQUISH®

COMPACT REVERSE PORRO PRISM BINOCULARS

If this compact traveler could talk, it would tell of world-class adventures and probably brag about its forward-thinking engineering and on-the-go features—such as its wide field of view and reverse Porro prism design with fully multi-coated optics. Add in its lean 12.7 ounce weight and most would agree the Vanquish® is the perfect companion.



SPECIFICATIONS

SKU	MODEL	INTERPUPILLARY DISTANCE (MM)	EYE RELIEF (MM)	CLOSE FOCUS	FIELD OF VIEW (@ 1,000 YARDS / DEGREES)	WEIGHT	HEIGHT X WIDTH
VNQ-1026	10 x 26	57 - 71	16	7.6'	294' / 5.6°	12.7 oz	4.7 x 4.4"
VNQ-0826	8 x 26	57 - 71	15	7.6'	352' / 6.7°	12.7 oz	4.7 x 4.4"

VISIT: www.VortexOptics.com for more detailed information.

KEY FEATURES



NOTE: For description and detailed information visit www.VortexOptics.com or page 4.



MONOCULARS 78 RECCE PRO® HD

COMPACT SURVEILLANCE, COMPACT RANGING
BIG PERFORMANCE



RECCE PRO® HD

MONOCULARS

The RECCE Pro® HD delivers high-end optical performance, extreme durability, and practical functionality, all in a lightweight, compact, easy-to-carry package. Once focused, single hand operation allows for discrete observation and keeps your off-hand free for other tasks. The integrated carry clip attaches to webbing or other flat-edged surfaces for quick access, and the included MOLLE pouch attaches to standard kit. Tethered flip caps won't get lost and protect exterior optical surfaces. HD optical system, fully multi-coated with XR™ anti-reflective coatings, delivers tack-sharp views. The winged fold-down eyecup protects against blowing grit and blocks view-degrading side light.

► **WINGED EYECUP**
Rotates for a custom fit and shields distracting ambient light, allowing for easier viewing and ranging.



► **LENS CAPS**
Integrated rubber armor protects the sight and has tethered lens caps.

SPECIFICATIONS

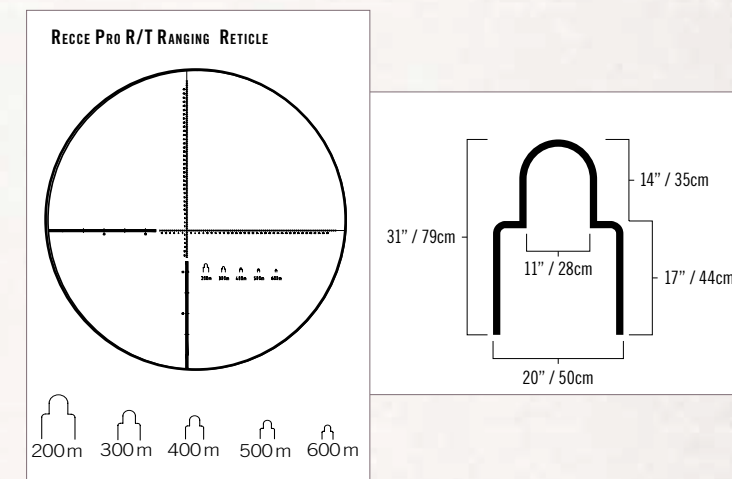
SKU	MODEL	EYE RELIEF (MM)	CLOSE FOCUS	FIELD OF VIEW (@ 1,000 YARDS / DEGREES)	WEIGHT	LENGTH
RP-100	8 x 32	14.5	5.0'	400' / 7.6°	11.0 oz	6.18"

VISIT: www.VortexOptics.com for more detailed information.

US Patent D603,436S US Patent 8,116,015

R/T RANGING RETICLE

The ranging reticle for the RECCE PRO® HD, Recon® R/T and Solo® R/T uses MRAD-based subtensions. These angular measurements allow a user to calculate ranges when comparing the reticle to objects of known dimension. Also includes silhouettes for quick ranging.



US Patent 7,877,866

KEY FEATURES



NOTE: For description and detailed information visit www.VortexOptics.com or page 4.

MONOCULARS 79 RECCE PRO® HD



MONOCULARS 8x Recon® R/T



ALWAYS
READY



RECON® R/T

MONOCULAR

Developed specifically for field surveillance, range estimation, and calling shots, the Recon® R/T delivers superb optical performance using premium XD™ optical system and XR™ lens coatings. The versatile attachment clip secures the Recon R/T to any belt or strap for rapid deployment. The R/T ranging reticle, using MRAD-based subtensions and secondary quick-ranging silhouettes, allows users to estimate the range of objects of known dimensions.

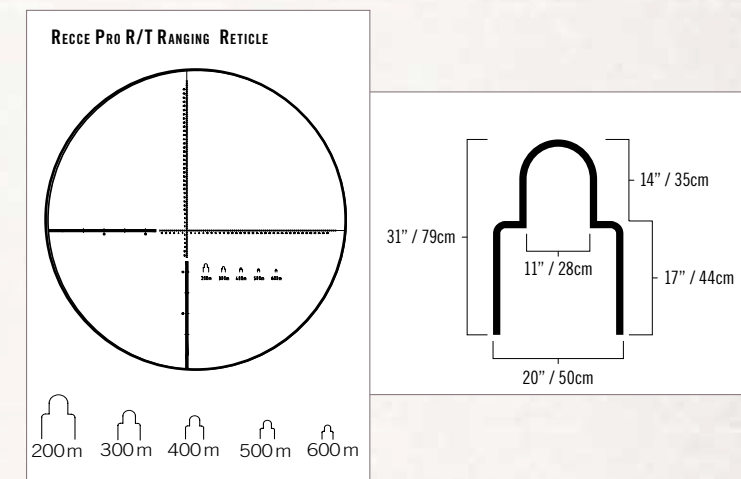
▶ WINGED EYECUP

Rotates for a custom fit and shields distracting ambient light, allowing for easier viewing and ranging.



R/T RANGING RETICLE

The ranging reticle for the RECCE PRO® HD, Recon® R/T and Solo® R/T uses MRAD-based subtensions. These angular measurements allow a user to calculate ranges when comparing the reticle to objects of known dimension. Also includes silhouettes for quick ranging.



US Patent 7,877,866



SPECIFICATIONS

SKU	MODEL	EYE RELIEF (MM)	CLOSE FOCUS	FIELD OF VIEW (@ 1,000 YARDS / DEGREES)	WEIGHT	LENGTH
RT155	15 x 50	16.0	12.0'	215' / 4.1°	15.2 oz	7.0"

VISIT: www.VortexOptics.com for more detailed information.

US Patent D603,436S



KEY FEATURES



NOTE: For description and detailed information visit www.VortexOptics.com or page 4.



LIGHT. FAST.
EFFECTIVE.

SOLO[®]

MONOCULARS

You can always have a quality optic close at hand with the Solo[®] monocular. This compact, easy-to-carry monocular delivers quality viewing for outdoor enthusiasts who wish to bring nature a bit closer. The integral utility clip (36mm model only) attaches to flat-edged surfaces for quick external access. From bow hunters to backpackers, the Solo makes a great addition to any gear list.



► UTILITY CLIP

The versatile, multi-position utility clip allows for multiple attachment points and quick attachment to pocket edges, equipment or vests. (36mm model only)

SPECIFICATIONS

SKU	MODEL	EYE RELIEF (MM)	CLOSE FOCUS	FIELD OF VIEW (@ 1,000 YARDS / DEGREES)	WEIGHT	LENGTH
S136	10 x 36	15.0	16.4'	325' / 6.2°	9.7 oz	4.9"
S836	8 x 36	18.0	16.4'	393' / 7.5°	9.7 oz	4.9"
S105	10 x 25	14.5	16.4'	315' / 6.0°	5.6 oz	4.4"
S825	8 x 25	15.0	16.4'	378' / 7.2°	5.6 oz	4.4"

VISIT: www.VortexOptics.com for more detailed information.

www.VortexOptics.com



VORTEX OPTICS

KEY FEATURES



NOTE: For description and detailed information visit www.VortexOptics.com or page 4.



YOU CALL
THE SHOTS

SOLO[®] R/T

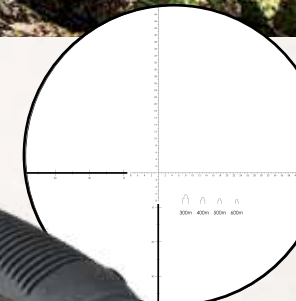
MONOCULAR

Built to be carried as a standard piece of equipment and be close at hand, the Solo[®] R/T Tactical monocular gives a closer look when needed. It features the Vortex R/T Ranging reticle with reticle focus for accurate range estimation and calling shots. The generous eye relief and a large exit pupil deliver optical performance normally reserved for binoculars, and the premium roof prisms and fully multi-coated optics deliver a bright, clear view. Completely waterproof and nitrogen gas-purged, the Solo R/T features textured rubber armor and a convenient belt or webbing strap clip.



► WINGED EYECUP

Rotates for a custom fit and shields distracting ambient light, allowing for easier viewing and ranging.



SOLO R/T RANGING RETICLE
VISIT: VortexOptics.com and page 81 for more detailed information on specs.

SPECIFICATIONS

SKU	MODEL	EYE RELIEF (MM)	CLOSE FOCUS	FIELD OF VIEW (@ 1,000 YARDS / DEGREES)	WEIGHT	LENGTH
SOL-3608-RT	8 x 36	18	16.4'	393' / 7.5°	10.2 oz	5.4"

VISIT: www.VortexOptics.com for more detailed information.

KEY FEATURES



NOTE: For description and detailed information visit www.VortexOptics.com or page 4.

www.VortexOptics.com



VORTEX OPTICS

Unlimited.
Unconditional.
Lifetime Warranty.



BEST WARRANTY IN THE BUSINESS

Because we know life happens - but don't just take our word for it, check out the true stories and hear what people are saying. » www.vortexoptics.com

NOTE: The VIP Warranty does not cover loss, theft, deliberate damage or cosmetic damage not affecting product performance.



RAZOR[®] HD

SPOTTING SCOPES



Setting a new standard in high-end optical technologies, precision craftsmanship, and ultra-sleek functionality, the Razor[®] HD is one of the finest spotting scopes on the market. Period. The HD optical system delivers brilliant, razor-sharp, true-to-life views. Advanced optical elements eliminate aberrations for distortion-free, flat field images with unmatched edge-to-edge sharpness, remarkable clarity, resolution, and color accuracy. Fully multi-coated with XR[™] Plus coatings, these spotters yield maximum light transmission—an extremely critical attribute when finding and evaluating game in low light.

► **ADJUSTABLE EYECUP**

Twists up and down for comfortable viewing with or without eyeglasses. (65mm and 85mm models)

► **HELICAL FOCUS**

Allows for fast and fine adjustments. (65mm and 85mm models)

► **BUILT-IN SUNSHADE**

Reduces glare and shields the objective lens from raindrops and snow. (65mm and 85mm models)



SPOTTING SCOPES 86

Razor[®] HD

SPECIFICATIONS

SKU	MODEL	EYEPiece POSITION	EYE RELIEF (MM)	CLOSE FOCUS	FIELD OF VIEW (@ 1,000 YARDS / DEGREES)	WEIGHT	LENGTH
RS-85A	27-60 x 85	Angled	16.7 - 17	16.4'	117 - 68'	65.6 oz	15.5"
RS-85S		Straight					
RS-65A	22-48 x 65	Angled	16.7 - 17	26.2'	138 - 84'	56.8 oz	14.8"
RS-65S		Straight					
RZR-50A1	11-33 x 50	Angled	16 - 19	6.6'	191 - 96'	25.0 oz	10.3"
RZR-50S1		Straight					

VISIT: www.VortexOptics.com for more detailed information.

KEY FEATURES



NOTE: For description and detailed information visit www.VortexOptics.com or page 4.

ZERO COMPROMISES



Razor[®] HD

87

SPOTTING SCOPES

VIPER[®] HD

SPOTTING SCOPES

A high-end spotter, without the high-end price tag, the new-for-2018 Viper[®] HD Spotting Scope series stands poised to dominate as a best-in-class-optic. Packed with features and incredible optical performance hunters and shooters are sure to appreciate, these spotters bring far off subjects in for a closer look – and do so with impressive clarity, resolution and color fidelity. The ultrasmooth, fluid, and sleek helical-style focus, dials in your image for ultrasharp viewing, as well as keeps the spotters profile trim for ultimate packability.

▶ ADJUSTABLE EYECUP

Twists up and down for comfortable viewing with or without eyeglasses.

▶ HELICAL FOCUS

Allows for fast and fine adjustments.

▶ BUILT-IN SUNSHADE

Reduces glare and shields the objective lens from raindrops and snow.

NEW
2018



SPECIFICATIONS

SKU	MODEL	EYEPiece POSITION	EYE RELIEF (MM)	CLOSE FOCUS	FIELD OF VIEW (@ 1,000 YARDS / DEGREES)	WEIGHT	LENGTH
V502	20-60 x 85	Angled	19.6 - 17.8	36'	101 - 50' / 1.9 - 1.0°	76.6 oz	17.5"
V503		Straight				76.4 oz	18.0"
V500	15-45 x 65	Angled	19.6 - 17.8	23'	136.5 - 67.8' / 2.6 - 1.3°	59.0 oz	14.0"
V501		Straight				58.8 oz	14.6"

VISIT: www.VortexOptics.com for more detailed information.

KEY FEATURES



NOTE: For description and detailed information visit www.VortexOptics.com or page 4.

www.VortexOptics.com



VORTEX OPTICS



TURN MOUNTAINS
INTO MOLEHILLS

www.VortexOptics.com



VORTEX OPTICS



NEW 2018

Viper[®] HD

SPOTTING SCOPES 89

DIAMONDBACK®

SPOTTING SCOPES

Born into the bloodline of our popular Diamondback® family, this spotter delivers outstanding performance—clearly a superb choice when you need a heavyweight performer in a light, compact package. The Diamondback optics guarantee a bright image throughout the magnification range, and, as true to all Diamondback optics, the rugged construction stands up to rough use in the field.



▶ **ROTATING TRIPOD COLLAR**
The collar provides adjustable viewing angles.



LEAVE NO CANYON
UNTURNED

SPOTTING SCOPES 90 Diamondback®

SPOTTING SCOPES 91 Diamondback®

SPECIFICATIONS

SKU	MODEL	EYEPIECE POSITION	EYE RELIEF (MM)	CLOSE FOCUS	FIELD OF VIEW (@ 1,000 YARDS / DEGREES)	WEIGHT	LENGTH
DBK-80A1	20-60 x 80	Angled	16.5 - 20	22'	105 - 51' / 2.0 - 1.0°	47.1 oz	14.8"
DBK-80S1		Straight					15.7"
DBK-60A1	20-60 x 60	Angled	14 - 17	20'	114 - 51' / 2.2 - 1.0°	33.8 oz	14.0"
DBK-60S1		Straight					14.4"

VISIT: www.VortexOptics.com for more detailed information.

US Patent D595,754S

KEY FEATURES



NOTE: For description and detailed information visit www.VortexOptics.com or page 4.

Unlimited. Unconditional. Lifetime Warranty.



BEST WARRANTY IN THE BUSINESS

Because we know life happens - but don't just take our word for it, check out the true stories and hear what people are saying. » www.vortexoptics.com

NOTE: The VIP Warranty does not cover loss, theft, deliberate damage or cosmetic damage not affecting product performance.



TRIPODS

SUMMIT™, PRO GT™, AND HIGH COUNTRY™



SUMMIT™ SS-P

Our ultimate backpacking tripod provides the perfect combination of compact size, lightweight design, rugged build, and fast operation. Plus, the split center column allows you to get close to the ground.



PRO GT™

For reliable performance at a great cost, look to the Pro GT™. Designed to handle any condition, sturdy anodized legs combined with a rugged 3-way quick-release pan head deliver solid support for your optics.



HIGH COUNTRY™

Smaller, lighter, and more compact than our Pro GT™, the High Country™ is designed for hunting at altitudes where every ounce counts. The variable leg angles and flip lever leg locks makes set-up a snap.



SUMMIT™ CAR WINDOW MOUNT

Our compact car window mount features an easy-to-manipulate ball head for fast subject acquisition. The quick-release plate allows convenient mounting of optics.

TRIPOD SPECIFICATIONS

SKU	MODEL	WEIGHT	MAX. LOAD	HEIGHT (MIN. - MAX.)	FOLDED DIMENSIONS	LEG SECTIONS	LEG ANGLES	LEG LOCKS	HEAD DESIGN
ST-5	SUMMIT™ SS-P	2.0 lbs	5 lbs	6.3 - 54.5"	14.0 x 4.5"	5	3	Twist	Pan
CWM-SS2	SUMMIT™ Car Mount	12.3 oz	5 lbs	5.4"	5.4 x 3.0"	—	—	—	Ball
PRO-2	PRO GT™	4.4 lbs	10 lbs	23.3 - 67.1"	25.0 x 5.0"	3	3	Flip-up	Pan
HC-2	HIGH COUNTRY™	2.2 lbs	5 lbs	15.0 - 52.3"	21.0 x 3.8"	4	3	Lever	Ball
CWM	VTX Car Mount	1.2 lbs	5 lbs	—	—	—	—	—	Pan

VISIT: www.VortexOptics.com for more detailed information.



BINOCULAR

ACCESSORIES



GLASSPAK™ BINOCULAR HARNESS

(SKU: P400)
Housing your binoculars and protecting them from the elements while keeping them close at hand is imperative when in the field. The Vortex® GlassPak™ binocular harness will do just that. It accommodates a range of full size binoculars, yet keeps them snug and secure. The mesh side pockets hold calls, a lens pen, and other small items needing quick access. Tethers attach to your binocular preventing accidental drops, and the rear zippered pocket holds larger items such as a cell phone.



BINOCULAR TRIPOD ADAPTER

(SKU: 400)
Maximize performance by using the Vortex® tripod adapter to steady viewing on a tripod or car window mount.



UNI-DAPTOR TRIPOD ADAPTER

(SKU: UNI-DAP)
Vortex's innovative Uni-Daptor is precision machined and fits any tripod-adaptable binocular. Its slim profile allows it to fit between the barrels of the largest high-powered binoculars, and a quick-release connector allows the binocular to be removed for hand-held use without disconnecting the entire adapter.



GUIDE BINOPACK

(SKU: P300)
Protect your binoculars, keep the lenses clean, and stow essential gear with the Guide BinoPack. An integrated bino leash prevents drops and lets you lower your bino with confidence. A generous front zippered pouch with shell loops is perfect for larger items such as rangefinders, a knife, fire starters, etc. The side pockets, zippered pocket on the rear face, and elastic sleeves on the top hold additional items.



ARCHER'S BINOCULAR STRAP

(SKU: ARCH)
Keep your binoculars at your side and out of harm's way with the archer's binocular strap.



2X DOUBLER

(SKU: 2X)
This handy tool doubles the magnification of most 32mm or larger binoculars and the Recon® monocular to take in details more typically observed through a spotting scope.



BINOCULAR HARNESS

(SKU: VTHARNESS)
Say goodbye to neck strain and keep your binoculars from bouncing against you as you hike down the trail.

VISIT: www.VortexOptics.com for more detailed information.



RIFLESCOPE

RINGS AND ACCESSORIES

LO PRO BUBBLELEVEL™

This slim, low-profile design allows the Bubblelevel™ to be mounted on most scopes without removing the scope from the rifle. It is easily visible without losing the sight picture. Available for 34mm, 30mm, and 1-inch rifle scope tubes.



BUBBLE LEVEL

Designed to maximize accuracy, our bubble level makes it easy to maintain a perfect horizontal hold during extreme-range shooting. Available for 35mm, 34mm, 30mm, and 1-inch rifle scope tubes.



TORQUE WRENCH MOUNTING KIT

Tighten to the specified torque and not a smidgen more! This tool is easy to operate, simple to set, and offers fast, accurate tension wherever and whenever you need it. The easy to read inch-pound increments ensure you tighten in 1in/lb increments.



DEFENDER® FLIP CAP

This is the last flip cap you will ever need! Virtually indestructible, this cap will fit snugly on nearly all Vortex® riflescopes and features a snap flat spring that will keep your line of sight unobstructed.

Rifle ranges the world over are littered with broken flip caps. This is one cap you will most likely never see in a flip cap boneyard. The E-10 cap has three stop positions. The first is vertical, to put your Dope Disk (optional accessory) literally right in your face. The second at 45° and the third at 90° to lay flat.



DOPE DISK®

Data on Previous Engagement (DOPE) Disk. Visit us online at vortexoptics.com/dopedisk to enter your ballistics information on range, drop, wind, and elevation to create your customized disk. Choose from several different styles and enter your unique data. Be sure and make one for each of your favorite hunting locations. Dope Disks® snap easily into the lid of the E-10 Defender® Flip Cap so you will never lose your Dope again!



SWITCHVIEW™ THROW LEVER

Maximize the efficiency of magnification transitions with fluid precision using our throw lever. Constructed of skeletonized, lightweight, tough, hard-coat anodized machined aluminum.



PRECISION EXTENDED CANTILEVER MOUNT

Available in 30mm and 34mm with options for 20 MOA cant. These extended cantilevers have all the same features as the Precision Matched Rings and are designed for mounting scopes with a forward location, providing correct eye relief and head placement. The quick release model is shown here.



PRECISION MATCHED RINGS

Machined with certified USA 7075 T6 billet aluminum and held to an extremely tight tolerance of .0005 using a precision Computer Numeric Controlled (CNC) mill. Our Precision Matched Rings are kept in pairs throughout the manufacturing process — ensuring perfection from one set to another. These Vortex® rings are then serialized, vibratory tumbled, hand-bead blasted and finished with a Type III hard coat anodize. Available in two heights for 1-inch tubes, three heights for 35mm and 30mm tubes, and five heights for 34mm tubes.



PRO EXTENDED CANTILEVER MOUNT

These USA-made extended cantilever mounts are available in 34mm, 30mm, and 1-inch tubes sizes and provide the correct height and forward placement for proper scope mounting.



PRO RIFLESCOPE RINGS

Streamlined, lightweight, and durable, these rings use four T-15 Torx-style socket cap screws for secure mounting of your rifle scope. This unique design permits easy mounting and the rings can remain on your scope when detached from the base. They are precision CNC machined from high strength 6061-T6 aluminum alloy with a durable black matte anodized finish. Available in three heights for 30mm and 1-inch tubes.



NOTE: The height measurements for all rings and mounts are from base and are shown in inches and millimeters.

HUNTER RINGS

Mounting to a Picatinny or Weaver type rail, the standard 2-screw Hunter rings are a nice match for general hunting setups. Made from aircraft-grade 6061-T6 aluminum for optimum strength. Available in three heights for 30mm and 1-inch tubes.



SPORT CANTILEVER RED DOT RING

Provide extra rail room for rear BUIS when using the StrikeFire® II red dot along with the VMX-3T magnifier. Available for 30mm tubes in absolute co-witness and lower 1/3 co-witness.



SPORT CANTILEVER RIFLESCOPE MOUNT

Vortex® cantilever ring mounts provide the correct height and forward placement for proper scope mounting on flat-top AR's. Available for 30mm tubes in 2- or 3-inch offset.



VISIT: www.VortexOptics.com for more detailed information.

www.VortexOptics.com



VORTEX OPTICS

VISIT: www.VortexOptics.com for more detailed information.

www.VortexOptics.com



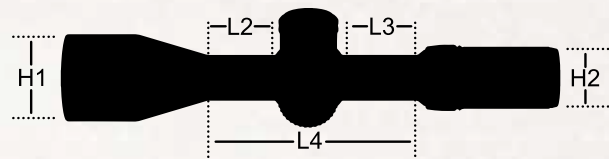
VORTEX OPTICS



RIFLESCOPE DIMENSIONS

These dimensions will help determine which rings and flip caps will work best for each scope. For more details, please visit the rifle scope specification pages on our website. www.VortexOptics.com

NOTE: Dimensions measured in inches.



MODEL	LENGTH			HEIGHT	
	L2	L3	L4	H1	H2
RAZOR® HD AMG™					
6-24 x 50	2.1	2.3	6.0	2.3	1.72
RAZOR® HD GEN II					
4.5-27 x 56	2.0	2.2	6.1	2.55	1.81
3-18 x 50				2.32	
RAZOR® HD GEN II-E					
1-6 x 24	2.8	1.5	5.9	1.29	1.81
RAZOR® HD					
5-20 x 50	2.9	2.5	6.9	2.33	1.74
RAZOR® HD LH™					
3-15 x 42	2.1	2.1	5.6	2.02	1.7
2-10 x 40	1.6		5.0	1.94	
1.5-8 x 32			1.62		
GOLDEN EAGLE® HD					
15-60 x 52	3.5	2.25	7.5	2.4	1.73
VIPER® PST™ GEN II					
5-25 x 50	2.25	2.5	6.85	2.3	1.8
3-15 x 44	2.3			2.08	
2-10 x 32	2.4			1.61	
1-6 x 24	3.0			2.25	
VIPER® HST™					
6-24 x 50	2.5	2.2	6	2.26	1.63
4-16 x 44	2		5.6	2.03	
VIPER® HSLR™					
6-24 x 50	2.5	2.2	6.0	2.26	1.63
4-16 x 50	2.0		5.6		
VIPER® HS™					
4-16 x 50	2.0	2.2	5.6	2.26	1.63
4-16 x 44				2.03	
2.5-10 x 44					
VIPER®					
6.5-20 x 50 PA	2.8	2.2	6.4	2.27	1.72

MODEL	LENGTH			HEIGHT		
	L2	L3	L4	H1	H2	
STRIKE EAGLE®						
4-24 x 50	2.5	2.5	6.6	2.25	1.73	
3-18 x 44	2.2	2.6	6.25	2.0		
1-8 x 24	2.8	1.9	6.4	1.18	1.65	
1-6 x 24	2.3	2.2	6.6	1.2	1.7	
DIAMONDBACK® TACTICAL						
4-12 x 40	1.9	2.1	5.3	1.86	1.58	
3-9 x 40	1.8	2.2	5.3			
DIAMONDBACK® HP™						
4-16 x 42	1.9	1.9	5.2	2.0	1.69	
3-12 x 42						
DIAMONDBACK®						
4-12 x 40	2.4	2.0	5.6	1.89	1.69	
3.5-10 x 50	2.0	2.1	5.4	2.29		
3-9 x 40			1.89			
2-7 x 35 RIMFIRE	1.7	5.1	1.72			
1.75-5 x 32	1.9	1.9	5.1	1.55		
CROSSFIRE® II						
6-24 x 50 AD	1.9	2.2	2.6	5.9	2.52	1.73
6-18 x 44 AD			2.2	5.4	2.3	1.61
4-16 x 50 AD			2.3	5.6	2.52	1.73
4-12 x 50 AD	2.2	1.9	2.2	5.6	2.44	1.71
4-12 x 40 AD			5.3	2.05		
4-12 x 44			2.3	5.5	2.01	
3-12 x 56 AD	1.9	2.6	5.0	2.71	1.73	
3-9 x 50	2.1	1.8	5.0	5.1	2.24	1.71
3-9 x 40				1.84		
2-7 x 32 RIMFIRE				1.53		
2-7 x 32 SCOUT	2.8	2.0	6.1	1.18	1.73	
1-4 x 24						

VISIT: www.VortexOptics.com for more detailed information on specifications or reticles.



COMPARISON CHART

▶ CONTINUED ON THE FOLLOWING PAGE
Don't see the SKU you want? Sorry to scare you!
Flip the page and see if it's there.

Some people see the glass as half full, others as half empty. Then there are the scholarly engineer types who question why the glass is the wrong size for the contents. If you fall into the last category and love to know all the details and specifications, these pages are for you! If you want more details than what you see here, please visit our webpage at www.VortexOptics.com.

SKU	MODEL	RETICLE	WEIGHT	LENGTH	EYE RELIEF (MAX POWER)	FIELD OF VIEW (@ 100 YARDS)	TUBE SIZE	TURRET STYLE	ADJUSTMENT GRADUATION	TRAVEL PER ROTATION	ELEVATION TOTAL TRAVEL	WINDAGE TOTAL TRAVEL	PARALLAX (YARDS)
RAZOR® HD AMG™ (pg. 6-7)													
RZR-AMG-5	6-24 x 50 FFP	EBR-7 MRAD	28.8 oz	15.2"	3.6"	20.4 - 5.1'	30mm	L-Tec	.1 MRAD	10 MRAD	28.5 MRAD	10 MRAD	25 to Infinity
RZR-AMG-4		EBR-7 MOA							¼ MOA	25 MOA	71 MOA	34 MOA	
RAZOR® HD GEN II (pg. 8-9)													
RZR-42704	4.5-27 x 56 FFP	EBR-1C MRAD	48.5 oz	14.4"	3.7"	25.3 - 4.4'	34mm	L-Tec	.1 MRAD	10 MRAD	28.5 MRAD	10 MRAD	32 to Infinity
RZR-42705		EBR-2C MOA							¼ MOA	25 MOA	71 MOA	34 MOA	
RZR-42706		EBR-2C MRAD							.1 MRAD	10 MRAD	28.5 MRAD	10 MRAD	
RZR-31803	3-18 x 50 FFP	EBR-2C MOA	46.5 oz	14.4"	3.7"	37.8 - 6.25'	34mm	L-Tec	¼ MOA	25 MOA	71 MOA	34 MOA	25 to Infinity
RZR-31802		EBR-2C MRAD							.1 MRAD	10 MRAD	28.5 MRAD	10 MRAD	
RAZOR® HD GEN II-E (pg. 10-11)													
RZR-16008	1-6 x 24	JM-1 BDC MOA	21.5 oz	10.1"	4.0"	115.2 - 20.5'	30mm	Low Capped	½ MOA	50 MOA	150 MOA	150 MOA	100
RZR-16010		VMR-2 MOA							.2 MRAD	20 MRAD	43 MRAD	43 MRAD	
RZR-16009		VMR-2 MRAD											

VISIT: www.VortexOptics.com for more detailed information on specifications or reticles.



SKU	MODEL	RETICLE	WEIGHT	LENGTH	EYE RELIEF (MAX POWER)	FIELD OF VIEW (@ 100 YARDS)	TUBE SIZE	TURRET STYLE	ADJUSTMENT GRADUATION	TRAVEL PER ROTATION	ELEVATION TOTAL TRAVEL	WINDAGE TOTAL TRAVEL	PARALLAX (YARDS)
RAZOR® HD (pg. 12-13)													
RZR-52006	5-20 x 50 FFP	EBR-2B MRAD	35.2 oz	15.8"	3.9"	22.0 - 5.76'	35mm	Tactical	.1 MRAD	10 MRAD	36 MRAD	36 MRAD	40 to Infinity
RZR-52005		EBR-2B MOA							¼ MOA	25 MOA	125 MOA	125 MOA	
RAZOR® HD LH™ (pg. 14-15)													
RZR-1572	3-15 x 42	HSR-4 MOA	16.5 oz	13.5"	3.8"	35.8 - 7.1'	1"	Capped	¼ MOA	15 MOA	55 MOA	55 MOA	20 to Infinity
RZR-1558	2-10 x 40	HSR-4 MOA	15.4 oz	12.5"	3.8"	56.2 - 10.8'	1"	Capped	¼ MOA	15 MOA	90 MOA	90 MOA	100
RZR-6638	1.5-8 x 32	G4 BDC MOA	13.4 oz	11.0"	3.8"	72.2 - 13.2'	1"	Capped	¼ MOA	15 MOA	110 MOA	110 MOA	100
GOLDEN EAGLE® HD (pg. 16-17)													
TCS-1503	15-60 x 52	ECR-1 MOA	29.7 oz	16.1"	3.9"	6.3 - 1.7'	30mm	Tall Target	1/8 MOA	10 MOA	55 MOA	45 MOA	15 to Infinity
TCS-1501		SCR-1 MOA											
VIPER® PST™ GEN II (pg. 18-21)													
PST-5258	5-25 x 50 FFP	EBR-2C MRAD	31.2 oz	16.0"	3.4"	24.1 - 4.8'	30mm	Tactical	.1 MRAD	10 MRAD	20 MRAD	10 MRAD	25 to Infinity
PST-5255		EBR-2C MOA							¼ MOA	25 MOA	70 MOA	35 MOA	
PST-5251	5-25 x 50	EBR-4 MOA	31.2 oz	16.0"	3.4"	24.1 - 4.8'	30mm	Tactical	¼ MOA	25 MOA	70 MOA	35 MOA	25 to Infinity
PST-3158	3-15 x 44 FFP	EBR-2C MRAD	28.1 oz	14.3"	3.4"	41.2 - 8.6'	30mm	Tactical	.1 MRAD	10 MRAD	22 MRAD	11 MRAD	20 to Infinity
PST-3155		EBR-2C MOA							¼ MOA	25 MOA	75 MRAD	40 MOA	
PST-3151	3-15 x 44	EBR-4 MOA	28.1 oz	14.3"	3.4"	41.2 - 8.6'	30mm	Tactical	¼ MOA	25 MOA	75 MRAD	40 MOA	20 to Infinity
PST-2105	2-10 x 32 FFP	EBR-4 MRAD	26.3 oz	12.75"	3.2"	58.3 - 11.7'	30mm	Tactical	.1 MRAD	10 MRAD	26 MRAD	26 MRAD	20 to Infinity
PST-2101		EBR-4 MOA							¼ MOA	25 MOA	90 MOA	90 MOA	
PST-1607	1-6 x 24	VMR-2 MRAD	22.7 oz	10.9"	3.8"	112.5 - 18.8'	30mm	Capped	.2 MRAD	16 MRAD	46 MRAD	46 MRAD	100
PST-1605		VMR-2 MOA							½ MOA	40 MOA	160 MOA	160 MOA	
VIPER® HST™ (pg. 22-23)													
VHS-4310	6-24 x 50	VMR-1 MRAD	22.6 oz	15.5"	4.0"	17.8 - 5.1'	30mm	Tactical	.1 MRAD	5 MRAD	19 MRAD	19 MRAD	50 to Infinity
VHS-4325		VMR-1 MOA							¼ MOA	12 MOA	65 MOA	65 MOA	
VHS-4308	4-16 x 44	VMR-1 MRAD	20.8 oz	13.7"	4.0"	27.4 - 7.4'	30mm	Tactical	.1 MRAD	5 MRAD	21 MRAD	21 MRAD	50 to Infinity
VHS-4309		VMR-1 MOA							¼ MOA	12 MOA	75 MOA	75 MOA	
VIPER® HSLR™ (pg. 24-25)													
VHS-4315-LR	6-24 x 50 FFP	XLR MOA	22.4 oz	15.5"	4.0"	17.8 - 5.1'	30mm	Windage: Capped Elevation: Tactical	¼ MOA	12 MOA	65 MOA	42 MOA	50 to Infinity
VHS-4307-LR	4-16 x 50	Dead-Hold BDC MOA	21.4 oz	13.7"	4.0"	27.4 - 7.4'	30mm		½ MOA	24 MOA	75 MOA	50 MOA	50 to Infinity
VIPER® HS™ (pg. 24-25)													
VHS-4307	4-16 x 50	Dead-Hold BDC MOA	20.4 oz	13.7"	4.0"	27.4 - 7.4'	30mm	Capped	¼ MOA	12 MOA	50 MOA	50 MOA	50 to Infinity
VHS-4305	4-16 x 44	Dead-Hold BDC MOA	18.4 oz	13.7"	4.0"	27.4 - 7.4'	30mm	Capped	¼ MOA	12 MOA	50 MOA	50 MOA	50 to Infinity
VHS-4303	2.5-10 x 44	Dead-Hold BDC MOA	16.5 oz	12.0"	4.0"	47.0 - 10.9'	30mm	Capped	¼ MOA	12 MOA	86 MOA	86 MOA	100
VIPER® (pg. 26-27)													
VPR-M-06MD	6.5-20 x 50 PA	Mil-Dot	21.6 oz	14.4"	3.1"	17.4 - 6.2'	30mm	Tall Capped	¼ MOA	12 MOA	65 MOA	65 MOA	50 to Infinity
VPR-M-06BDC		Dead-Hold BDC MOA							¼ MOA	12 MOA	65 MOA	65 MOA	

VISIT: www.VortexOptics.com for more detailed information on specifications or reticles.



SKU	MODEL	RETICLE	WEIGHT	LENGTH	EYE RELIEF (MAX POWER)	FIELD OF VIEW (@ 100 YARDS)	TUBE SIZE	TURRET STYLE	ADJUSTMENT GRADUATION	TRAVEL PER ROTATION	ELEVATION TOTAL TRAVEL	WINDAGE TOTAL TRAVEL	PARALLAX (YARDS)
STRIKE EAGLE® (pg. 28-31)													
SE-1627	4-24x50	EBR-4 MOA	25.6 oz	14.9"	3.5"	26.2 - 4.3'	30mm	Tactical	1/4 MOA	12 MOA	80 MOA	80 MOA	20 to Infinity
SE-1626	3-18x44	EBR-4 MOA	23.9 oz	13.5"	3.5"	34.5 - 5.7'	30mm	Tactical	1/4 MOA	12 MOA	120 MOA	120 MOA	20 to Infinity
SE-1824-1	1-8 x 24	AR-BDC2 MOA	16.75 oz	10.0"	3.5"	116.5 - 14.4'	30mm	Capped	1/2 MOA	44 MOA	100 MOA	100 MOA	100
SE-1624-1	1-6 x 24	AR-BDC MOA	17.6 oz	10.5"	3.5"	116.5 - 19.2'	30mm	Capped	1/2 MOA	40 MOA	140 MOA	140 MOA	100
DIAMONDBACK® TACTICAL (pg. 32-33)													
DBK-10025	4-12 x 40	VMR-1 MOA	16.2 oz	14.2"	3.8"	23.6 - 7.9'	1"	Tactical	¼ MOA	12 MOA	70 MOA	70 MOA	100
DBK-10023	3-9 x 40	VMR-1 MOA	15.9 oz	14.2"	3.8"	33.7 - 11.3'	1"	Tactical	¼ MOA	12 MOA	80 MOA	80 MOA	100
DIAMONDBACK® HP™ (pg. 34-35)													
DBK-10019	4-16 x 42	Dead-Hold BDC MOA	18.0 oz	12.5"	4.0"	23.8 - 6.1'	1"	Capped	¼ MOA	15 MOA	80 MOA	80 MOA	30 to Infinity
DBK-10015	3-12 x 42	Dead-Hold BDC MOA	18.0 oz	12.5"	4.0"	28.8 - 8.2'	1"	Capped	¼ MOA	15 MOA	90 MOA	90 MOA	30 to Infinity
DIAMONDBACK® (pg. 34-35)													
DBK-04-BDC	4-12 x 40	Dead-Hold BDC MOA	14.6 oz	12.0"	3.1"	32.4 - 11.3'	1"	Capped	¼ MOA	15 MOA	60 MOA	60 MOA	100
DBK-03-BDC	3.5-10 x 50	Dead-Hold BDC MOA	16.2 oz	12.5"	3.3"	35.8 - 13.5'	1"	Capped	¼ MOA	15 MOA	65 MOA	65 MOA	100
DBK-M-01P	3-9 x 40	V-Plex MOA	14.4 oz	11.7"	3.3"	44.6 - 14.8'	1"	Capped	¼ MOA	15 MOA	70 MOA	70 MOA	100
DBK-01-BDC		Dead-Hold BDC MOA											
DBK-RIM	2-7 x 35 Rimfire	V-Plex MOA (50yd)	14.2 oz	11.6"	3.1"	64.3 - 19.3'	1"	Capped	¼ MOA	15 MOA	100 MOA	100 MOA	50
DBK-08-BDC	1.75-5 x 32	Dead-Hold BDC MOA	12.8 oz	10.2"	3.5"	68.3 - 23.1'	1"	Capped	¼ MOA	15 MOA	125 MOA	125 MOA	100
CROSSFIRE® II 30MM (pg. 36-37)													
CF2-31045	6-24 x 50 A0	Dead-Hold BDC MOA	23.6 oz	14.5"	4.0"	17.3 - 4.4'	30mm	Capped	¼ MOA	15 MOA	40 MOA	40 MOA	10 to Infinity
CF2-31039	4-16 x 50 A0	Dead-Hold BDC MOA	23.6 oz	14.2"	3.7"	25.3 - 7.0'	30mm	Capped	¼ MOA	15 MOA	50 MOA	50 MOA	25 to Infinity
CF2-31049	3-12 x 56 A0	V-Brite® MOA	21.1 oz	14.3"	3.5"	36.7 - 9.2'	30mm	Capped	¼ MOA	15 MOA	60 MOA	60 MOA	10 to Infinity
CF2-31037	1-4 x 24	V-Brite® MOA	16.0 oz	9.8"	4.0"	96.1 - 24.1'	30mm	Capped	½ MOA	30 MOA	100 MOA	100 MOA	100
CROSSFIRE® II 1-INCH (pg. 38-39)													
CF2-31033	6-18 x 44 A0	Dead-Hold BDC MOA	19.6 oz	13.5"	3.7"	15.2 - 5.3'	1"	Capped	¼ MOA	15 MOA	50 MOA	50 MOA	10 to Infinity
CF2-31029		V-Brite® MOA	20.6 oz										
CF2-31023	4-12 x 50 A0	Dead-Hold BDC MOA	20.6 oz	14.2"	3.9"	25.7 - 8.4'	1"	Capped	¼ MOA	15 MOA	50 MOA	50 MOA	10 to Infinity
CF2-31019	4-12 x 40 A0	Dead-Hold BDC MOA	19.2 oz	13.6"	3.9"	24.7 - 8.4'	1"	Capped	¼ MOA	15 MOA	50 MOA	50 MOA	10 to Infinity
CF2-31013	4-12 x 44	V-Plex MOA	17.2 oz	13.1"	3.9"	24.7 - 8.4'	1"	Capped	¼ MOA	15 MOA	50 MOA	50 MOA	100
CF2-31015		Dead-Hold BDC MOA											
CF2-31011	3-9 x 50	Dead-Hold BDC MOA	18.4 oz	12.7"	3.8"	32.0 - 12.9'	1"	Capped	¼ MOA	15 MOA	60 MOA	60 MOA	100
CF2-31027		V-Brite® MOA	18.6 oz			34.1 - 12.9'							
CF2-31005		V-Plex MOA	15.0 oz										
CF2-31007	3-9 x 40	Dead-Hold BDC MOA	15.0 oz	12.0"	3.8"	34.1 - 12.6'	1"	Capped	¼ MOA	15 MOA	60 MOA	60 MOA	100
CF2-31025		V-Brite® MOA	16.2 oz										
CF2-31002	2-7 x 32 Scout	V-Plex MOA	12.0 oz	10.5"	9.45"	18.3 - 5.2'	1"	Capped	¼ MOA	15 MOA	60 MOA	60 MOA	100
CF2-31001	2-7 x 32	V-Plex MOA	14.3 oz	11.3"	3.9"	42.0 - 12.6'	1"	Capped	¼ MOA	15 MOA	60 MOA	60 MOA	100
CF2-31003	2-7 x 32	Dead-Hold BDC MOA											50
CF2-31001R	2-7 x 32 Rimfire	V-Plex MOA	14.3 oz	11.3"	3.9"	42.0 - 12.6'	1"	Capped	¼ MOA	15 MOA	60 MOA	60 MOA	100

VISIT: www.VortexOptics.com for more detailed information on specifications or reticles.

