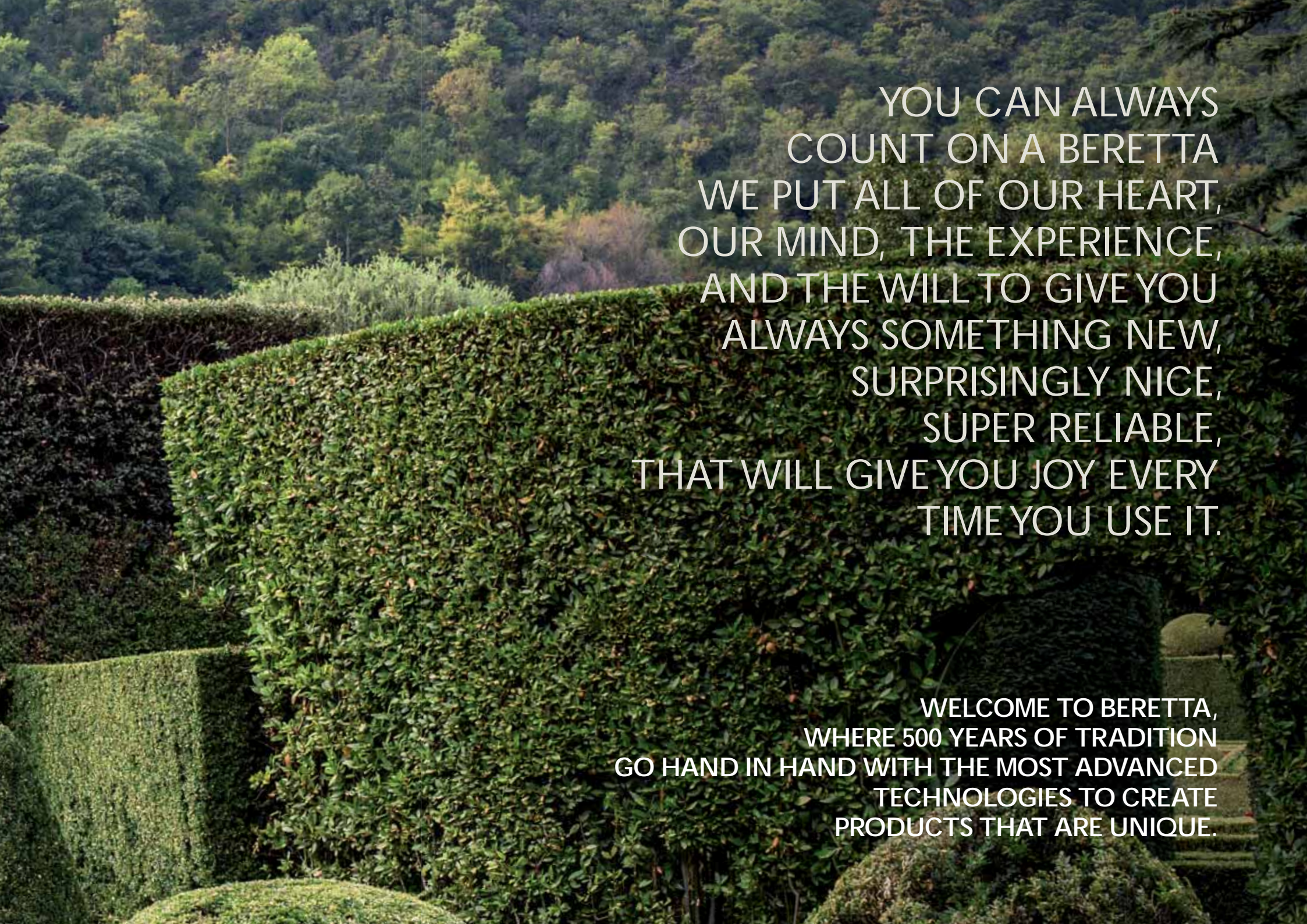




 BERETTA

2019 FIREARMS CATALOG





YOU CAN ALWAYS
COUNT ON A BERETTA
WE PUT ALL OF OUR HEART,
OUR MIND, THE EXPERIENCE,
AND THE WILL TO GIVE YOU
ALWAYS SOMETHING NEW,
SURPRISINGLY NICE,
SUPER RELIABLE,
THAT WILL GIVE YOU JOY EVERY
TIME YOU USE IT.

WELCOME TO BERETTA,
WHERE 500 YEARS OF TRADITION
GO HAND IN HAND WITH THE MOST ADVANCED
TECHNOLOGIES TO CREATE
PRODUCTS THAT ARE UNIQUE.

FOR SOME IT'S A GENTLEMEN'S HUNT,
FOR SOME IT'S HANGING OUT WITH BUDDIES.
FOR SOME IT'S A BIG FAMILY,
FOR SOME IT'S A JUST A CREW.
FOR SOME IT'S AN AFTER-WORK GROUP,
FOR SOME IT'S LIKE AN ALUMNI NETWORK.
FOR SOME IT'S BEING IMMERSED IN NATURE,
FOR SOME IT'S SAVORING ITS MOST AUTHENTIC TASTE.
FOR SOME IT'S A CLIQUE OF CONNOISSEURS,
FOR SOME IT'S A 1 MILLION CLICK COMMUNITY ON FACEBOOK.
FOR SOME IT'S A WOMAN THING,
FOR SOME IT'S A FATHER AND SON THING.

BUT ALL TOGETHER, THESE PEOPLE MAKE UP
THE LARGEST FAMILY OF HUNTERS THAT EVER EXISTED.
BECAUSE IT STRETCHES BACK 500 YEARS,
RIGHT TO THE START OF THE BERETTA DYNASTY.
...IT IS THE BERETTA TRIBE.

BE PART OF THE

#BERETTATRIBE





686 Silver Pigeon I



686 Silver Pigeon I

Built to the usual Beretta high standards, for a price that seems unreal. Available with attractive floral scroll engraving and matt oil finished walnut stock and forend. The tried and tested 680 series action is combined with chrome lined, cold hammer forged barrels, to give you a really reliable gun.

Model	Gauge	Chamber (mm)	Barrel (cm)	Rib (type)	Chokes (type)	Accessories	Drop (mm/mm)	Cast	Pad
686 Silver Pigeon I	12	76	67-71-76	6x6	MC	5 Chokes	36,5/57,5	RH-LH	MicroCore
686 Silver Pigeon I B-Fast	12	76	67-71-76	6x6	MC	5 Chokes	38/60	RH-LH	MicroCore
686 Silver Pigeon I	20	76	67-71-76	6x6	MC	5 Chokes	36,5/57,5	RH-LH	MicroCore
686 Silver Pigeon I	28	70	67-71-76	6x6	MC	5 Chokes	36,5/57,5	RH-LH	MicroCore
686 Silver Pigeon I	.410	76	67-71	6x6	MC	5 Chokes	36,5/57,5	RH-LH	MicroCore
686 Silver Pigeon I Combo	20/28	76/70	71	6x6	MC	5 Chokes	36,5/57,5	RH	MicroCore
686 Silver Pigeon I Combo	28/.410	70/76	71	6x6	MC	5 Chokes	36,5/57,5	RH	MicroCore



Ultralight



Ultralight Classic



Ultralight Gold

Fully featured 12 ga shotguns weighing in at less than a typical 20 ga. The Ultralight's receiver is machined from a single block of remarkably strong aircraft quality aluminum alloy, specially heat treated to deliver the strength and durability of steel, but with 65% of the weight.

Model	Gauge	Chamber (mm)	Barrel (cm)	Rib (type)	Chokes (type)	Accessories	Drop (mm/mm)	Cast	Pad
Ultralight Classic	12	70	62-67	6x6	MC	5 Chokes	35/55-38/60	RH-LH	Plastic
Ultralight Classic SR	12	70	62	-	Rifled / MC	3 Chokes (*/**/****)	35/55-38/60	RH-LH	Rubber
Ultralight Gold	12	70	62-67-71	6x6	MC	5 Chokes	35/55-38/60	RH-LH	Rubber

691



The 691 is an elegant, smooth shooting boxlock shotgun. Beautifully finished, the stock is manufactured from specially selected 2.5 grade walnut, which has been further enriched by Beretta's enhanced oil finishing process. Additionally, the receiver features a unique, floral scroll engraving creating a really handsome gun.

Model	Gauge	Chamber (mm)	Barrel (cm)	Rib (type)	Chokes (type)	Accessories	Drop (mm/mm)	Cast	Pad
691	12	76	66-71-76	6x6	OCHP	5 Chokes	35/55	RH-LH	MicroCore
691	20	76	66-71-76	6x6	OCHP	5 Chokes	35/55	RH-LH	MicroCore
691	28	76	66-71-76	6x6	MC	5 Chokes	35/55	RH-LH	MicroCore
691	.410	76	66-71-76	6x6	MC	5 Chokes	35/55	RH-LH	MicroCore



693



693

The traditional Beretta over and under has been combined with the highest technology to create this well balanced, elegant shotgun. The stock is manufactured from specially selected high grade walnut and is oil finished. The action is a modernised development of the tried and tested 680 series. Additionally, the receiver is Nistan finished with exquisite, game scene engraving. Re-engineered Steelium barrels guarantee absolute precision while minimising weight and felt recoil, creating a jewel of a gun.

Model	Gauge	Chamber (mm)	Barrel (cm)	Rib (type)	Chokes (type)	Accessories	Drop (mm/mm)	Cast	Pad
693	12	76	66-71-76	6x6	OCHP	5 Chokes	35/55	RH-LH	MicroCore
693	12	76	66-71-76	6x6	FX (****/****)	-	35/55-38/60	RH-LH	MicroCore
693	20	76	66-71-76	6x6	OCHP	5 Chokes	35/55	RH-LH	MicroCore
693	28	76	66-71-76	6x6	MC	5 Chokes	35/55	RH-LH	MicroCore
693	.410	76	66-71-76	6x6	MC	5 Chokes	35/55	RH-LH	MicroCore



691 Vittoria



693 Vittoria

The Vittoria series is the first Beretta's shotgun range specifically designed for women. Based on the 690 platform, Vittoria shotguns feature a dedicated ergonomics, suited to those with a shorter stature, to ensure a smooth, comfortable and precise handling. These guns are fitted with a shortened, semi-Montecarlo style stock, have a reduced pistol grip and additionally are completed by a 1 mm checkering, derived from the premium guns, beneficial for smaller hands.

Model	Gauge	Chamber (mm)	Barrel (cm)	Rib (type)	Chokes (type)	Accessories	Drop (mm/mm)	Cast	Pad
691 Vittoria	12	76	66-71-76	6x6	OCHP	5 Chokes	35/45/55	RH-LH	MicroCore
691 Vittoria	20	76	66-71-76	6x6	OCHP	5 Chokes	35/45/55	RH-LH	MicroCore
693 Vittoria	12	76	66-71-76	6x6	OCHP	5 Chokes	35/45/55	RH-LH	MicroCore
693 Vittoria	20	76	66-71-76	6x6	OCHP	5 Chokes	35/45/55	RH-LH	MicroCore



695



Model	Gauge	Chamber (mm)	Barrel (cm)	Rib (type)	Chokes (type)	Accessories	Drop (mm/mm)	Cast	Pad
695	12	76	66-71-76	6x6	OCHP	5 Chokes	35/55	RH-LH	Wood matched
695	12	76	66-71-76	6x6	FX (****/****)	-	35/55-38/60	RH-LH	Wood matched
695	20	76	66-71-76	6x6	OCHP	5 Chokes	35/55	RH-LH	Wood matched



695

Polished Optima Bore HP
Steelium barrels

The new 695 is a timeless end elegant field gun, and it is the top of the range in the 690 platform. The engraving on this model is a particularly fine, deep relief scroll made with the most advanced 5 axis premium laser engraving technology, giving the gun a sumptuous feel. With its premium grade three walnut and exquisite engraving on the action, this stunning boxlock shotgun is likely to be highly sought after.

687 EELL Diamond Pigeon



687 EELL Diamond Pigeon Game scene



687 EELL Diamond Pigeon Scroll

The exceptionally strong, low-profile receiver is elegantly adorned with exquisite game scene and intricate scroll engravings, made with the best in class premium laser engraving technology. The stock and fore-end are superior quality walnut embellished with hand cut checkering, demonstrating how improved performance and refined beauty can be perfectly matched.

Model	Gauge	Chamber (mm)	Barrel (cm)	Rib (type)	Chokes (type)	Accessories	Drop (mm/mm)	Cast	Pad
687 EELL Diamond Pigeon	12	76	67-71-76	6x6	MC	5 Chokes	35/55 - 38/60	RH-LH	Wood
687 EELL Diamond Pigeon	12	76	71-76	6x6	FX (****/****)	-	35/55 - 38/60	RH-LH	Wood
687 EELL Diamond Pigeon	20	76	67-71-76	6x6	MC	5 Chokes	35/55 - 38/60	RH-LH	Wood
687 EELL Diamond Pigeon	20	76	71-76	6x6	FX (****/****)	-	35/55 - 38/60	RH-LH	Wood
687 EELL Diamond Pigeon	28	70	67-71-76	6x6	MC	5 Chokes	35/55 - 38/60	RH	Wood
687 EELL Diamond Pigeon	.410	76	67-71	6x6	MC	5 Chokes	35/55 - 38/60	RH	Wood
687 EELL Diamond Pigeon	20/28	76/70	67-71	6x6	MC	5x2 Chokes	35/55 - 38/60	RH	Wood
687 EELL Diamond Pigeon	28/410	70/76	67-71	6x6	MC	5x2 Chokes	35/55 - 38/60	RH	Wood

486 *Parallelo*



486 Parallelo

486 Parallelo EL

486 Parallelo EL Color-case

Built with a beautifully proportioned, scroll engraved, round body receiver, the 486 is a modern classic in the making. Using a modified demi-block design, Beretta's 'Triblock' system allows for a seamless barrel profile in the best English tradition whilst the V spring mechanism ensures fast, crisp trigger pulls.

Model	Gauge	Chamber (mm)	Barrel (cm)	Rib (type)	Chokes (type)	Accessories	Drop (mm/mm)	Cast	Pad
486 Parallelo	12	76	66-71-76	10x5,5	OCHP	5 Chokes	37/59	RH	Wood
486 Parallelo	12	76	71	10x5,5	FX (***/*), FX (****/****)	-	37/59	RH	Wood
486 Parallelo	12	76	76	10x5,5	FX (****/****)	-	37/59	RH	Wood
486 Parallelo	20	76	66-71-76	10x5,5	OCHP	5 Chokes	37/59	RH	Wood
486 Parallelo	28	70	71	10x5,5	OCHP	5 Chokes	37/59	RH	Wood
486 Parallelo EL	20	76	66-71-76	10x5,5	OCHP	5 Chokes	37/59	RH	Wood
486 Parallelo EL Color Case	20	76	66-71-76	10x5,5	OCHP	5 Chokes	37/59	RH	Wood

A300 Outlander



A300 Outlander Silver



A300 Outlander

The A300 Outlander is the latest evolution of Beretta's 300-series gas-operated semiauto shotguns, which have sold by the millions to hunters and sportsmen around the world. And there's a reason for their popularity: unbeatable performance as well as great value out of the box.

A300 Outlander



A300 Outlander Camo MAX-5®



A300 Outlander Synthetic

Model	Gauge	Chamber (mm)	Barrel (cm)	Rib (type)	Chokes (type)	Accessories	Pad
A300 Outlander Silver	12	76	66-71-76	6x6	MC	3 Chokes (*/**/****)	MicroCore
A300 Outlander	12	76	66-71-76	6x6	MC	3 Chokes (*/**/****)	MicroCore
A300 Outlander Camo MAX-5®	12	76	66-71-76	6x6	MC	3 Chokes (*/**/****)	MicroCore
A300 Outlander Synthetic	12	76	66-71-76	6x6	MC	3 Chokes (*/**/****)	MicroCore

A400
LITE



A400 Lite Synthetic



A400 Lite Synthetic LH

The Beretta A400 Lite Synthetic is a hunting shotgun that does it all, and that doesn't mind playing hard and getting dirty. It's a 3" semiautomatic shotgun combining the Kick-Off Plus shock absorption with the brand new GunPod 2, the unrivalled Beretta Steelium barrel and a great package of smart, lightweight polymeric solutions.

Fast, versatile, light and low-recoiling, the A400 Lite Synthetic is also self-cleaning, requiring much less maintenance than you can expect. The new A400 Lite Compact is designed to "grow" with the young shooters, featuring a set of spacers and a barrel extension.



A400 Lite Camo MAX-5®



A400 Lite Compact

Model	Gauge	Chamber (mm)	Barrel (cm)	Rib (type)	Chokes (type)	Accessories	Pad
A400 Lite Synthetic	12	76	66-71-76	6x6	OCHP	3 Chokes (*/***/*****)	MicroCore
A400 Lite Synthetic Left Handed	12	76	66-71-76	6x6	OCHP	3 Chokes (*/***/*****)	MicroCore
A400 Lite Synthetic	20	76	66-71-76	6x6	OCHP	3 Chokes (*/***/*****)	MicroCore
A400 Lite Compact	20	76	66-71-76	6x6	OCHP	2 Chokes (****/***/Extended)	MicroCore
A400 Lite Camo MAX-5®	12	76	66-71-76	6x6	OCHP	3 Chokes (*/***/*****)	MicroCore
A400 Lite Camo MAX-5®	20	76	66-71-76	6x6	OCHP	3 Chokes (*/***/*****)	MicroCore



A 400 Xtreme PLUS



Aqua Tech: superior corrosion protection

Shoots 12-gauge shotgun shells from 2 3/4 up 3 1/2 inch

MicroCore: Superior comfort and perfect shouldering

Soft Comb insert

Comfort Grip: comfortable anti-slip rubber inserts

B-Link: 36% faster than any other shotgun

B-Steady

Kick-Off Mega: up to 70% felt recoil reduction

Model	Gauge	Chamber (mm)	Barrel (cm)	Rib (type)	Chokes (type)	Accessories	Pad
A400 Xtreme Plus Synthetic	12	89	66-71-76	7x7	OCHP	5 Chokes Ext. Black Edition (**/**/**/**/**/**/**/**/**/**)**	MicroCore
A400 Xtreme Plus Camo MAX-5®	12	89	66-71-76	7x7	OCHP	5 Chokes Ext. Black Edition (**/**/**/**/**/**/**/**/**/**)**	MicroCore
A400 Xtreme Plus Camo Mossy Oak Bottomland	12	89	66-71-76	7x7	OCHP	5 Chokes Ext. Black Edition (**/**/**/**/**/**/**/**/**/**)**	MicroCore
A400 Xtreme Plus Camo Shadow Grass Blades	12	89	66-71-76	7x7	OCHP	5 Chokes Ext. Black Edition (**/**/**/**/**/**/**/**/**/**)**	MicroCore
A400 Xtreme Plus Camo True Timber DRT	12	89	66-71-76	7x7	OCHP	5 Chokes Ext. Black Edition (**/**/**/**/**/**/**/**/**/**)**	MicroCore
A400 Xtreme Plus Camo Optifade™ Marsh	12	89	66-71-76	7x7	OCHP	5 Chokes Ext. Black Edition (**/**/**/**/**/**/**/**/**/**)**	MicroCore
A400 Xtreme Plus Camo Optifade™ Timber	12	89	66-71-76	7x7	OCHP	5 Chokes Ext. Black Edition (**/**/**/**/**/**/**/**/**/**)**	MicroCore



Xtreme preparations, Xtreme conditions, Xtreme expectations. The new A400 Xtreme Plus is built to go wherever your hunt takes you. Engineered to be the softest-shooting, most reliable 3.5" waterfowl shotgun out there, and to withstand the toughest waterfowl environments. It has and the best recoil reduction system in the world, combining the Kick-Off Mega and Kick-Off³ together with the new soft comb, which reduces the felt recoil imparted to the shooter's cheek even further. It features the best barrel technology drawing from the Olympic competition world, Beretta's exclusive Steelium Plus barrels, providing the best patterning possible from all hunting loads. An extended charging handle and bolt release from the factory allow for easier manipulation during the coldest and rainiest days.

An enlarged loading port allows for ease of loading. The new A400 Xtreme Plus shoots always, shoots everything and shoots even better!

A400 Xplor ACTION



A400 Xplor Action

Shoot everything, every time, better. Beautiful, versatile, lightweight and intelligent. Available in 12 gauge – also left handed – and in 20 and 28, the A400 Xplor Action is the perfect semi-automatic shotgun for all your upland hunts.

Model	Gauge	Chamber (mm)	Barrel (cm)	Rib (type)	Chokes (type)	Accessories	Pad
A400 Xplor Action	12	76	66-71-76	6x6	OCHP	3 Chokes (*/**/*****)	MicroCore
A400 Xplor Action	20	76	66-71-76	6x6	OCHP	3 Chokes (*/**/*****)	MicroCore
A400 Xplor Action	28	70	66-71-76	5x5	OCHP	3 Chokes (*/**/*****)	MicroCore
A400 Xplor Action Left-Handed	12	76	66-71-76	6x6	OCHP	3 Chokes (*/**/*****)	MicroCore
A400 Xplor Action KO	12	76	66-71-76	6x6	OCHP	3 Chokes (*/**/*****)	MicroCore
A400 Xplor Action Left-Handed KO	12	76	66-71-76	6x6	OCHP	3 Chokes (*/**/*****)	MicroCore
A400 Xplor Action Slug	12	76	56-61	-	FX (*****)	-	MicroCore
A400 Xplor Action KO Slug	12	76	56-61	-	FX (*****)	-	MicroCore

A400
ultra LITE



A400 Ultralite

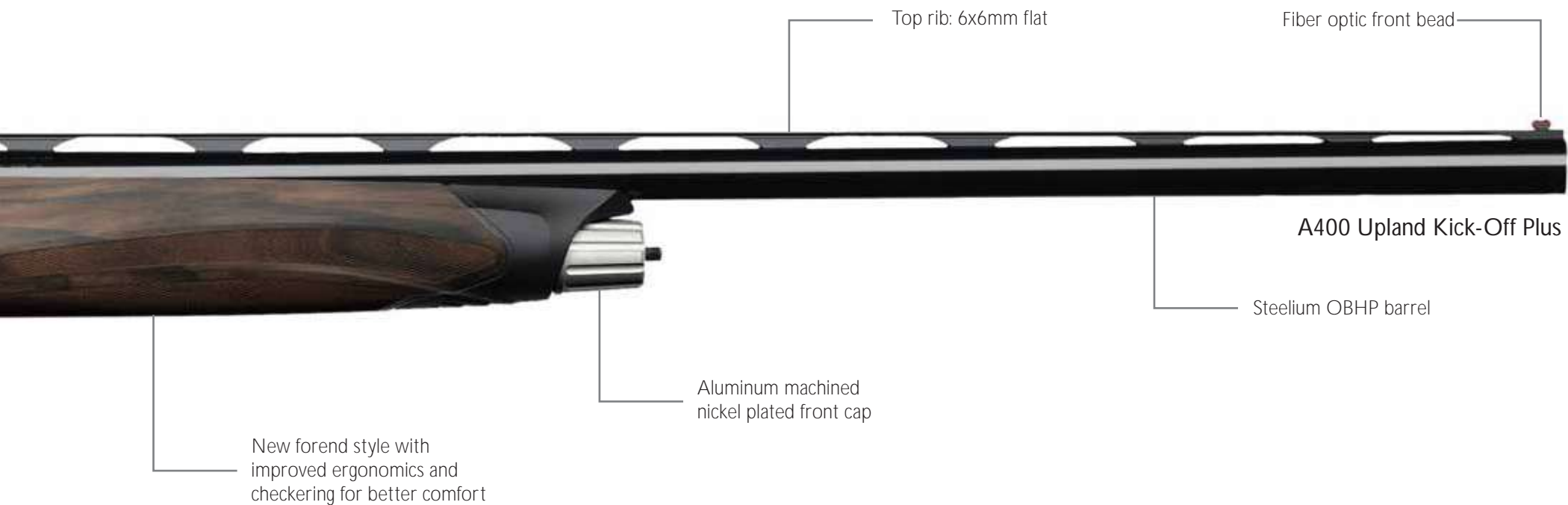
Much more than light, Ultralite.
The 3" semiautomatic shotgun with full-length carbon-fibre top rib and carbon-fibre pistol grip cap, bringing weight down to 2,7 Kg without shortening the magazine capacity. Black anodized aluminium-alloy receiver with technological laser engraving and super-lightweight woods. Simply amazing.

Model	Gauge	Chamber (mm)	Barrel (cm)	Rib (type)	Chokes (type)	Accessories	Pad
A400 Ultralite	12	76	61-66-71	6x6 Carbon fiber	OCHP	3 Chokes (*/**/*****)	MicroCore

A400
Upland



Model	Gauge	Chamber (mm)	Barrel (cm)	Rib (type)	Chokes (type)	Accessories	Pad
A400 Upland Kick-Off Plus	12	76	66-71-76	6x6	OCHP	3 Chokes (*/**/*****)	MicroCore
A400 Upland	12	76	66-71-76	6x6	OCHP	3 Chokes (*/**/*****)	MicroCore



The A400 Upland is the very first Beretta shotgun featuring an innovative wood stock with the Kick-Off Plus technology, that reduces recoil up to 50%. The nickel plated receiver is completed by an exquisite game scene engraving. The new design of the pistol grip and forend improves the gun comfort and enhances the overall look and slim new design. The A400 Upland is a great combination of the latest technologies with a classic look, for all the hunters that are looking for the best shooting experience.

EVERY BIG WIN IS MADE OF SMALL VICTORIES

Behind every smashed clay there is a wealth of details that have been studied and developed with the world's no. 1 shooters. So, every detail of your shotgun, clothing, and accessories will really make a difference the next time you step onto the shooting field. Tag your passion for shooting with

#1CHOICEOFCHAMPIONS



**THE N°1 CHOICE
OF CHAMPIONS**



Hand fitting by Beretta Premium Gunsmiths

Factory Balance

Interchangeable Barrel Shoulders

Hand-engraved anti-glare finishing

B-Fast Balance

Protection against the sun reflection

Inner sweatband

High grade selected walnut stock

Perfectly adjustable

Maximum perception during the shoot

Designed on the shooter's movements

Reduced felt recoil

Technical fabric

Microcore® recoil pad

Fast and precise shouldering

Easy customizable

Reduced muzzle rise

Barrell accuracy 100% tested

Steelium Pro barrel

Cold hammer forging

Proprietary tri alloyed steel

Improved pattern distribution

Modified single base rib for better heat dissipation

Center-mass low and coaxial

18 inches forcing cone

Vacuum distension

Smoother swing

Wide receiver Deep drilling

Detachable trigger group

V-spring trigger group

Adjustable trigger

No itch

Extremely breathable

Protection, perception and freedom

Excellent breathability

Badge chest

Perfect fit

Earmuff/towel binding on both sides

686 Silver Pigeon I



686 Silver Pigeon I Sporting

Built to the usual Beretta, high standards, for a price that seems unreal. Available with an attractive floral scroll engraving and matt oil finished walnut stock and forend. The tried and tested 680 series action is combined with chrome lined, cold hammer forged barrels, to give you a really reliable gun. The Optima HP Steelium barrels and chokes throw superb patters with reduced recoil. The 2 grade walnut stock is also fitted with a micro core pad as standard. A feature rich, competition shotgun.

Model	Gauge	Chamber (mm)	Barrel (cm)	Rib (type)	Chokes (type)	Accessories	Drop (mm/mm)	Cast	Forend
686 Silver Pigeon I Sporting	12	76	71-76	10x8	OCHP	5 Chokes	36,5/57,5	RH-LH	Schnabel
686 Silver Pigeon I Sporting (B-Fast)	12	76	76	10x8	OCHP	5 Chokes	-	RH-LH	Schnabel
686 Silver Pigeon I Sporting (B-Fast)	20	76	76	8x8	MC	5 Chokes	-	RH-LH	Schnabel
686 Silver Pigeon I Sporting (B-Fast)	28	70	76	8x8	MC	5 Chokes	-	RH-LH	Half Beaver tail
686 Silver Pigeon I Sporting (B-Fast)	.410	76	76	8x8	MC	5 Chokes	-	RH-LH	Half Beaver tail
686 Silver Pigeon I Trap (B-Fast)	12	76	76	10x8	OCHP	5 Chokes	-	RH-LH	Schnabel





691 Sporting Vittoria



693 Sporting Vittoria

The Vittoria series is the first Beretta's shotgun range specifically designed for women. Based on the 690 platform, Vittoria shotguns feature a dedicated ergonomics, suited to those with a shorter stature, to ensure a smooth, comfortable and precise handling. These guns are fitted with a shortened, semi-Montecarlo style stock, have a reduced pistol grip and additionally are completed by a 1 mm checkering, derived from the premium guns, beneficial for smaller hands. The Sporting version has ventilated side ribs.

Model	Gauge	Chamber (mm)	Barrel (cm)	Rib (type)	Chokes (type)	Accessories	Drop (mm/mm)	Cast	Forend
691 Sporting Vittoria	12	76	76-81	10x8	OCHP	5 Chokes	35/45/55	RH-LH	Rounded
693 Sporting Vittoria	12	76	76-81	10x8	OCHP	5 Chokes	35/45/55	RH-LH	Rounded

691 | 693 | 695



691 Sporting

693 Sporting

695 Sporting

Evolution of the tried and tested 680 series, the 690 shotguns boast a wide Nistan finished receiver, with exquisite gamescene engravings. The Steelium barrels guarantee absolute precision, with dense patterns, while minimising weight and felt recoil. The stock is processed from high quality walnut wood, carefully selected and oil finished.

Model	Gauge	Chamber (mm)	Barrel (cm)	Rib (type)	Chokes (type)	Accessories	Drop (mm/mm)	Cast	Forend
691 Sporting	12	76	76-81	10x8	OCHP	5 Chokes	35/55	RH-LH	Rounded
693 Sporting	12	76	76-81	10x8	OCHP	5 Chokes	35/55	RH-LH	Rounded
695 Sporting	12	76	76-81	10x8	OCHP	5 Chokes	35/55	RH-LH	Rounded

690



690 Black Edition Sporting

690 Sporting and Trap are the competition over and unders to make your quantum leap in shooting performance.

Thanks to the Steelium barrel and to the outstanding balance, the 690 competition shotguns provide accuracy, ease of handling and perfect control. Exactly what you need when you start aiming to your first 25.

Model	Gauge	Chamber (mm)	Barrel (cm)	Rib (type)	Chokes (type)	Accessories	Drop (mm/mm)	Cast	Forend
690 Black Edition Sporting	12	76	71-76-81	10x8	OCHP	5 Chokes, Extended	35/55	RH-LH	Schnabel-Rounded
690 Black Edition Sporting (B-Fast)	12	76	71-76-81	10x8	OCHP	5 Chokes, Extended	-	RH-LH	Schnabel-Rounded
690 Black Edition Trap	12	70	76-81	10x10	FX (**/*)	-	29/39	RH-LH	Schnabel-Rounded
690 Black Edition Trap (B-Fast)	12	70	76-81	10x10	FX (**/*)	-	-	RH-LH	Schnabel-Rounded

692



692 Trap B-Fast



692 Black Edition Sporting

The 692 offers you the highest level of performance to shoot like a star. Perfect pattern distribution and reduced muzzle raise thanks to the new Steelium Plus barrel, smooth and precise handling thanks to the wider receiver and to the new B-Fast balance system.

Model	Gauge	Chamber (mm)	Barrel (cm)	Rib (type)	Chokes (type)	Accessories	Drop (mm/mm)	Cast	Forend
692 Skeet	12	76	73	10x8	OCHP	5 Chokes	35/55	RH-LH	Rounded
692 Skeet (B-Fast)	12	76	73	10x8	OCHP	5 Chokes	-	RH-LH	Rounded
692 Sporting	12	76	76-81	10x8	OCHP	5 Chokes	35/55	RH-LH	Rounded
692 Sporting (B-Fast)	12	76	76-81	10x8	OCHP	5 Chokes	-	RH-LH	Rounded
692 Trap	12	70	76-81	10x10	FX (**/*)	-	29/39	RH-LH	Rounded
692 Trap (B-Fast)	12	70	76-81	10x10	FX (**/*)	-	-	RH-LH	Rounded
692 Black Edition Sporting	12	76	76-81	10x10 Carbon fiber	OCHP	5 Chokes	35/55	RH-LH	Rounded
692 Black Edition Sporting (B-Fast)	12	76	76-81	10x10 Carbon fiber	OCHP	5 Chokes	-	RH-LH	Rounded
692 Black Edition Trap	12	70	76-81	10x10 Carbon fiber	FX (**/*)	-	29/39	RH-LH	Rounded
692 Black Edition Trap (B-Fast)	12	70	76-81	10x10 Carbon fiber	FX (**/*)	-	-	RH-LH	Rounded

DT11



DT11 Sporting

With DT11, balance, power and precision are in your hands, together with outstanding control and perfect trigger pull. The innovative Steelium PRO barrel ensures great pattern and reduced muzzle raise, while the wide receiver improves stability and ease of handling. The B-Fast adjusting devices provide the best ergonomics ever to assist you in hitting every time a target more.

Model	Gauge	Chamber (mm)	Barrel (cm)	Rib (type)	Chokes (type)	Accessories	Drop (mm/mm)	Cast	Forend
DT11 Sporting	12	76	71-76-81	10x8	OCHP	5 Chokes	35/56-38/60-Headed	RH-LH	Schnabel-Rounded
DT11 Sporting (B-Fast)	12	76	71-76-81	10x8	OCHP	5 Chokes	-	RH-LH	Schnabel-Rounded
DT11 Skeet	12	70	71-73	10x8	OCHP	5 Chokes	35/56-38/60-Headed	RH-LH	Schnabel-Rounded
DT11 Skeet (B-Fast)	12	70	71-73	10x8	OCHP	5 Chokes	-	RH-LH	Schnabel-Rounded
DT11 Trap	12	70	75-76	10x10	FX (**/*)	-	29/39-32/42-34/44-Headed	RH-LH	Beaver tail-Rounded
DT11 Trap (B-Fast)	12	70	75-76	10x10	FX (**/*)	-	-	RH-LH	Beaver tail-Rounded
DT11 ACS (B-Fast)	12	76	76-81	10x8 Adjustable	OCHP	5 Chokes	Montecarlo Ad.	RH-LH	Schnabel-Rounded
DT11 XTrap (B-Fast)	12	76	76-81	Adjustable	OCHP	5 Chokes	Montecarlo Ad.	RH-LH	Beaver tail-Rounded
DT11 L Sporting Floral	12	76	71-76-81	10x8	OCHP	5 Chokes	35/56-38/60-Headed	RH-LH	Schnabel-Rounded
DT11 L Sporting Floral (B-Fast)	12	76	71-76-81	10x8	OCHP	5 Chokes	-	RH-LH	Schnabel-Rounded
DT11 L Sporting Game scene	12	76	71-76-81	10x8	OCHP	5 Chokes	35/56-38/60-Headed	RH-LH	Schnabel-Rounded
DT11 L Sporting Game scene (B-Fast)	12	76	71-76-81	10x8	OCHP	5 Chokes	-	RH-LH	Schnabel-Rounded
DT11 L Trap Floral	12	70	75-76	10x10	FX (**/*)	-	29/39-32/42-34/44-Headed	RH-LH	Beaver tail-Rounded
DT11 L Trap Floral (B-Fast)	12	70	75-76	10x10	FX (**/*)	-	-	RH-LH	Beaver tail-Rounded
DT11 EELL Sporting	12	76	71-76-81	10x8	OCHP	5 Chokes	35/56 - 38/60	RH-LH	Rounded
DT11 EELL Sporting	12	76	71-76-81	10x8	OCHP	5 Chokes	Headed	RH	Rounded
DT11 EELL Sporting (B-Fast)	12	76	71-76-81	10x8	OCHP	5 Chokes	-	RH-LH	Rounded
DT11 EELL Trap	12	70	75-76	10x10	FX (**/*)	-	29/39-32/42	RH-LH	Rounded
DT11 EELL Trap	12	70	75-76	10x10	FX (**/*)	-	Headed	RH	Rounded
DT11 EELL Trap (B-Fast)	12	70	75-76	10x10	FX (**/*)	-	-	RH-LH	Rounded



DT11 Black Pro Sporting



DT11 Black Edition Sporting

DT11 Black. The highest expression of the Beretta competition over and under, now in a black and hyper-technological edition. Carbon fibre top rib, carbon fibre trigger plate and the most complete B-Fast ever, now featuring both stock and barrel balancing system. The choice of the champions, now in Black Edition.

Model	Gauge	Chamber (mm)	Barrel (cm)	Rib (type)	Chokes (type)	Accessories	Drop (mm/mm)	Cast	Forend
DT11 Black Pro Sporting	12	76	81	10x10 Carbon fiber	OCHP	5 Chokes	-	RH-LH - Size L	Rounded
DT11 Black Pro Trap	12	70	76	10x10 Carbon fiber	FX (**/*)	-	-	RH-LH - Size L	Rounded
DT11 Black Pro Skeet	12	70	76	10x10 Carbon fiber	OCHP	5 Chokes	-	RH-LH - Size L	Rounded
DT11 Black Edition Sporting	12	76	76-81	10x10 Carbon fiber	OCHP	5 Chokes	35/56-38/60-Headed	RH-LH	Schnabel-Rounded
DT11 Black Edition Sporting (B-Fast)	12	76	76-81	10x10 Carbon fiber	OCHP	5 Chokes	-	RH-LH	Schnabel-Rounded
DT11 Black Edition Trap	12	70	76-81	10x10 Carbon fiber	FX (**/*)	-	32/42-Headed	RH-LH	Rounded
DT11 Black Edition Trap (B-Fast)	12	70	76-81	10x10 Carbon fiber	FX (**/*)	-	-	RH-LH	Rounded
DT11 Black Edition Skeet	12	70	76	10x10 Carbon fiber	OCHP	5 Chokes	Headed	RH-LH	Rounded
DT11 Black Edition Skeet (B-Fast)	12	70	76	10x10 Carbon fiber	OCHP	5 Chokes	-	RH-LH	Rounded

DT 11 BLACK EDITION



Model	Gauge	Chamber (mm)	Barrel (cm)	Rib (type)	Chokes (type)	Accessories	Drop (mm/mm)	Cast	Forend
DT11 Black Edition EELL Sporting	12	76	76-81	10x10 Carbon fiber	OCHP	5 Chokes	35/56-38/60	RH-LH	Rounded
DT11 Black Edition EELL Sporting	12	76	76-81	10x10 Carbon fiber	OCHP	5 Chokes	Headed	RH-LH	Rounded
DT11 Black Edition EELL Sporting (B-Fast)	12	76	76-81	10x10 Carbon fiber	OCHP	5 Chokes	-	RH-LH	Rounded
DT11 Black Edition EELL Trap	12	70	76	10x10 Carbon fiber	FX (**/*)	-	29/39-32/42	RH-LH	Rounded
DT11 Black Edition EELL Trap	12	70	76	10x10 Carbon fiber	FX (**/*)	-	Headed	RH-LH	Rounded
DT11 Black Edition EELL Trap (B-Fast)	12	70	76	10x10 Carbon fiber	FX (**/*)	-	-	RH-LH	Rounded



DT11 Black Edition EELL Sporting

The EELL version of the DT11 Black Edition, brings the use of carbon fiber to levels never before reached in the firearms world. In addition to the top rib, the trigger plate, and the trigger group, the Beretta DT11 Black Edition EELL over and under shotgun, also features carbon fiber trigger guard and two innovative long side plates, in which the engraving gives way to the characteristic carbon fiber twill texture. The stock, made of selected grade 4 walnut wood, is available in an adjustable, fixed or headed version. The oil finishing guarantees the wood greater water resistance. The hand made 1mm checkering gives the stock a more refined look and a firm and comfortable grip.

A400 Xcel



A400 Xcel Sporting Black



A400 Xcel Multitarget

The purest shooting passion, powered by technological precision. The A400 Xcel is the most advanced competition semiautomatic shotgun by Beretta, featuring B-link, Kick-Off, MicroCore, Steelium, Optimabore HP, and a balance cap.

Model	Gauge	Chamber (mm)	Barrel (cm)	Rib (type)	Chokes (type)	Accessories	Pad
A400 Xcel Multitarget (B-Fast)	12	76	71-76-81	Adjustable	OCHP	3 Chokes (**/**/*/*/*/*)	MicroCore
A400 Xcel Multitarget Kick-Off (B-Fast)	12	76	71-76-81	Adjustable	OCHP	3 Chokes (**/**/*/*/*/*)	MicroCore
A400 Xcel Parallel Target	12	76	71-76-81	10x8 with step	OCHP	3 Chokes (**/**/*/*/*/*)	MicroCore
A400 Xcel Sporting	12	76	71-76-81	10x8	OCHP	3 Chokes (**/**/*/*/*/*)	MicroCore
A400 Xcel Sporting	20	76	71-76-81	10x8	OCHP	3 Chokes (**/**/*/*/*/*)	MicroCore
A400 Xcel Sporting Black	12	76	71-76-81	10x10 Carbon fiber	OCHP	3 Chokes Black Edition (**/**/*/*/*/*)	MicroCore
A400 Xcel Sporting Black Kick-Off	12	76	71-76-81	10x10 Carbon fiber	OCHP	3 Chokes Black Edition (**/**/*/*/*/*)	MicroCore



1301 Comp PRO



Model	Gauge	Chamber (mm)	Barrel (cm)	Rib (type)	Chokes (type)	Accessories	Cast	Pad
1301 Comp PRO	12	76	53,5	10x8 with step	OCHP	1 Choke (****)	RH-LH	MicroCore
1301 Comp PRO	12	76	61	10x8 with step	OCHP	3 Chokes Black Edition (**/****/*****)	RH-LH	MicroCore





After gaining the podiums of the last Shotgun World Championships with its incomparable cycling speed, the 1301 Comp evolves in the Pro version, incorporating the improvements suggested by the multi-rated Beretta shooters. With the comfort, stability and ease of shouldering of the new stock, its super-fast, safe and easier loading system, the new enlarged bolt release button and bolt handle and the Beretta by Tony System extended magazine for 10 + 1 cartridges, the 1301 Comp Pro is today the most competitive platform for practical shooting, already in its out-of-the-box configuration, yet allowing further personalization, so sought after by the most demanding shooters.



The 92X Performance: accuracy, power and speed the #1choiceofchampions way. The new Beretta handgun specifically designed for competition does not accept compromises and aims to top performances, by bringing on the shooting ranges one of the most reliable locking systems ever, along with a full steel vertec frame and a heavier brigadier slide and the new surprisingly fast and crisp trigger mechanism Extreme-S.

Model	Gauge	Action	Additional Magazines	Magazine Capacity (rounds)	Weight Unloaded (g)	Total Length (mm)	Barrel Length (mm)	Width (mm)	Height (mm)	Safety Position	Grips
92X Performance Production	9x19	S - D	1	15	1350	222	125	48	148	Frame	Plastic



IN 1915 BERETTA LAUNCHES
ITS FIRST SEMIAUTOMATIC PISTOL.
DIFFERENT GENERATIONS OF BERETTA HANDGUNS
HAVE GONE THROUGH ALL THE GREAT CHALLENGES
OF THE LAST CENTURY.
TODAY, WITH MORE THAN A HUNDRED YEARS
OF EXPERIENCE IN THE FIELD, THE NEW PLATFORMS
ARE BORN WITH A CLEAR AWARENESS
OF THE NEEDS OF TACTICAL AND COMPETITION USERS
AND WITH CONSTANT ATTENTION
TO THE NEW FRONTIERS OF INNOVATION.

BERETTA TACTICAL PRODUCTS ARE
DEVELOPED, TESTED, AND BUILT
FOR THOSE WHO COME PREPARED TO WIN.
TRAIN WITH PASSION TO

#WINTHEFIGHT



TRAIN
— WITH —
PASSION



FUSION



The 92 FS Fusion Blue is a new Limited Edition, reinterpretation of the iconic 92FS. It's the result of a careful design aimed at creating the perfect balance between tradition and innovation. The name celebrates this "fusion" of different materials and the most modern technologies available with the craftsmanship that made Beretta Premium Guns so famous worldwide. The result is a gun with an extremely contemporary design and rich in fine details. The barrel, all the levers and screws are chromed and hand-polished, mirrored to create a contrast with the blue finish of the frame and the slide. Compared to military standards that require a 160 mm maximum H + L, the Fusion Blue expresses its highest level of accuracy in the selection and treatment of barrels, guaranteeing its H+L ranges from 60 to 70 mm. An exclusive series of only 100 pistols, 60 in caliber 9x19 and 40 in 9x21. Every pistol is numbered progressively and offers a truly exclusive detail: the pistol number coincides with its dedicated serialization.





FUSION



The Fusion Blue features a dedicated case in light gray carbon fiber, with internal Alcantara® lining and contrasting orange stitching. Personalized with the coined Pietro Beretta shield, it is equipped with a safety lock. The kit includes a second magazine, a cleaning kit with a light gray carbon fiber multifunction handle, a dedicated screwdriver to remove the exclusive screws of the grips and a congratulatory card in ferromagnetic steel with the serial number and the autograph by the President Franco Gussalli Beretta.

Model	Gauge	Action	Additional Magazines	Magazine Capacity (rounds)	Weight Unloaded (g)	Total Length (mm)	Barrel Length (mm)	Width (mm)	Height (mm)	Safety Position	Grips
98 FS Fusion Blue	9x19	S	1	15	1390	217	125	38	143	Slide	mother-of-pearl



APX





APX Tactical

Designed specifically for military and law enforcement operators, the APX has been put through extensive testing and evaluation at the professional end user level. The result is a pistol that delivers superior performance in durability and reliability, ergonomics, trigger, and modularity. Utilizing a removable, serialized chassis frame, the APX can be easily modified with replaceable grip frame housings and is simple to disassemble and maintain.

Each APX comes with 3 interchangeable back straps so users can best fit their hands and preferences. The APX's aggressive full length slide serrations make slide manipulations easy under any conditions. To accommodate right or left-handed use, the APX's magazine release button can be easily reversed, and the slide stop is ambidextrous. The APX's trigger breaks at 6lbs and has a clear tactile and audible very short reset.

The APX truly is the ultimate striker fired pistol from Beretta. Now available in different colors and in the new RDO and Combat versions

Model	Gauge	Action	Additional Magazines	Magazine Capacity (rounds)	Weight Unloaded (g)	Total Length (mm)	Barrel Length (mm)	Width (mm)	Height (mm)	Safety Position	Grips
APX	9x19	Striker	1	15	800	192	108	33	142	Trigger	Plastic
APX	.40 S&W	Striker	1	15	820	192	108	33	142	Trigger	Plastic
APX Tactical	9x19	Striker	1	15	800	192	108	33	142	Trigger	Plastic

APX



APX RDO



APX Combat

The APX RDO is an evolution of the APX full size featuring all the same modularity of the standard APX line with the addition of a factory slide cut to accept one of 4 different optic plates. At launch, the pistol plates support Mini-Red Dot Optics from Burris, Trijicon, Leupold, and C-More. Also shipping with the pistol is a fixed blanking plate that covers the slide cut and allows the pistol to be used without optic mount. The APX Combat incorporates all the features of the RDO version, offering in addition a factory installed 1/2x28TPI Threaded barrel.

Model	Gauge	Action	Additional Magazines	Magazine Capacity (rounds)	Weight Unloaded (g)	Total Length (mm)	Barrel Length (mm)	Width (mm)	Height (mm)	Safety Position	Grips
APX Combat	9x19	Striker	1	17	820	208	125	33	142	Trigger	Plastic
APX RDO	9x19	Striker	1	17	820	192	108	33	142	Trigger	Plastic



The APX Centurion and APX Compact pistols extend the proven APX Series to a concealed carry friendly size, or those who have a need to carry concealed but want similar handling characteristics to their duty pistols. Both the pistols feature a removable serialized chassis allowing the frame to be easily modified. Replaceable backstraps are also available to further customize the pistol ergonomics. These compact pistols keep offering the core characteristics that you love from your APX: low bore axis, ambidextrous slide catch, reversible magazine release, aggressive slide serrations, and a really smooth trigger with a clear tactile and audible short reset.

Model	Gauge	Action	Additional Magazines	Magazine Capacity (rounds)	Weight Unloaded (g)	Total Length (mm)	Barrel Length (mm)	Width (mm)	Height (mm)	Safety Position	Grips
APX Centurion	9x19	Striker	1	15	765	177	94	33	132	Trigger	Plastic
APX Centurion	.40 S&W	Striker	1	13	785	177	94	33	132	Trigger	Plastic
APX Compact	9x19	Striker	1	13	750	177	94	33	122	Trigger	Plastic
APX Compact	.40 S&W	Striker	1	11	770	177	94	33	122	Trigger	Plastic



Px4 Storm
Inox



Px4 Storm
Special Duty



Px4 Storm
Compact



Px4 Storm
Compact Inox



Px4 Storm
SubCompact





Px4 Storm



Absolute durability, reliability, and ergonomics have made it the go-to choice for shooters around the world. Designed to meet the most stringent military standards of durability, the PX4 has been reported to fire well over 150,000 rounds with zero part breakage.

The lines of the pistol are snag-free and make unholstering and reholstering easy and fluid. The pistol may be adapted to different hand sizes and shooting styles thanks to a modular design with interchangeable backstraps. The ambidextrous and reversible controls offer the possibility of easily training or shooting with either hand.

Besides being one of the strongest actions available, the rotary barrel dissipates recoil away from the shooter's hand and greatly reduces muzzle jump, making it an extremely fast and accurate action.

Disassembly is designed to allow for quick field stripping.

Model	Gauge	Action	Additional Magazines	Magazine Capacity (rounds)	Weight Unloaded (g)	Total Length (mm)	Barrel Length (mm)	Width (mm)	Height (mm)	Safety Position	Grips
PX4 Storm Type F	9x19	S - D	1	17	785	192	102	36	140	Slide	Int. Backstrap
PX4 Storm Type G	9x19	S - D	1	17	785	192	102	36	140	LAC	Int. Backstrap
PX4 Storm Inox	9x19	S - D	1	17	785	195	102	36	140	Slide	Int. Backstrap
PX4 Storm Compact Type F	9x19	S - D	1	15	770	173	83	36	129	Slide	Int. Backstrap
PX4 Storm Compact Inox	9x19	S - D	1	15	770	173	83	36	129	Slide	Int. Backstrap
PX4 Storm SubCompact Type F	9x19	S - D	1	13	740	158	76	36	122	Slide	Int. Backstrap
PX4 Storm Type F	.40 S&W	S - D	1	14	810	192	102	36	140	Slide	Int. Backstrap
PX4 Storm Type G	.40 S&W	S - D	1	14	810	192	102	36	140	LAC	Int. Backstrap
PX4 Storm Inox	.40 S&W	S - D	1	14	785	192	102	36	140	Slide	Int. Backstrap
PX4 Storm Compact Type F	.40 S&W	S - D	1	12	770	173	83	36	129	Slide	Int. Backstrap
PX4 Storm Type F	45 ACP	S - D	1	9-10	800	195	102	36	140	Slide	Int. Backstrap
PX4 Storm Special Duty *	45 ACP	S - D	2	9-10	820	210	115	36	145	Slide	Int. Backstrap



M9A3



Model	Gauge	Action	Additional Magazines	Magazine Capacity (rounds)	Weight Unloaded (g)	Total Length (mm)	Barrel Length (mm)	Width (mm)	Height (mm)	Safety Position	Grips
M9A3	9x19	S - D	1	17	944	220	129,5	38	137	Slide	Plastic
M9A3 Black	9x19	S - D	1	17	944	220	129,5	38	137	Slide	Plastic



M9A3



M9A3

With the M9A3 semiauto pistol series, Beretta has created a coming-together of all the tactical and functional features that today's combat professionals may require. From Vertec-style thin grip for instinctive pointability, to universal slide design convertible from safety-decocker to decocker-only, from a bevelled magazine well to oversize mag-release button, from a 3-slot built-in Picatinny rail to high-capacity capability for maximum firepower. These combat pistols were designed to be perfect for any tactical use, including home and personal defence, tactical competitions as well as duty carry in any condition.

M9A1



Model	Gauge	Action	Additional Magazines	Magazine Capacity (rounds)	Weight Unloaded (g)	Total Length (mm)	Barrel Length (mm)	Width (mm)	Height (mm)	Safety Position	Grips
M9A1	9x19	S - D	1	17	945	217	125	38	143	Slide	Plastic
M9A1 Compact Inox	9x19	S - D	1	13	895	197	125	38	133	Slide	Plastic
M9A1 Compact Black	9x19	S - D	1	13	895	197	125	38	133	Slide	Plastic



M9A1



M9A1
Compact Inox



M9A1
Compact Black

Developed to meet the demanding requirements of the US Corps, the M9A1 incorporates the established reliability and performance of the M9, with added features needed for the ever-changing missions of peacekeeping forces. Thanks to its accuracy, durability and versatility, it also makes a superb choice for personal or home defense as well as concealed carry.

The M9A1 is built to be ultra-tough and always dependable. Besides the superior steels of which it is constructed, it also features a unique sand-resistant magazine and a special PVD coating. At the range, the M9A1 will impress you for its low recoil, as well as its accuracy.

Serie 90



92 FS

The Beretta 92FS has been setting the standards for best military, police and tactical pistol for over a quarter century.

The reason is that it was designed, and has kept evolving to be and remain the most accurate, durable and reliable semiauto handgun on the market. Easy to use, absolutely safe and delivering impressive firepower, it remains the sidearm of allied forces the world over, as well as of countless police and law-enforcement agencies.

Model	Gauge	Action	Additional Magazines	Magazine Capacity (rounds)	Weight Unloaded (g)	Total Length (mm)	Barrel Length (mm)	Width (mm)	Height (mm)	Safety Position	Grips
92 FS	9x19	S - D	1	15	945	217	125	38	143	Slide	Plastic
92 FS Inox	9x19	S - D	1	15	945	217	125	38	143	Slide	Rubber
92 FS Centennial	9x19	S	1	15	1.350	217	125	38	143	Frame	Wood
92 A1	9x19	S - D	1	15	945	217	125	38	143	Slide	Plastic
92 FS Sport	9x19	S - D	1	15	945	217	125	38	137	Slide	Rubber
92 FS 22LR	.22 L.R.	S - D	-	15	740	217	135	38.6	140	Slide	Plastic

90 Series



92 FS Grey



92 FS Bronze

Model	Gauge	Action	Additional Magazines	Magazine Capacity (rounds)	Weight Unloaded (g)	Total Length (mm)	Barrel Length (mm)	Width (mm)	Height (mm)	Safety Position	Grips
92 FS Grey	9x19	S - D	1	15	945	217	125	38	143	Slide	Plastic
92 FS Bronze	9x19	S - D	1	15	945	217	125	38	143	Slide	Plastic

1301 TACTICAL



1301 Tactical



1301 Tactical FDE

Model	Gauge	Chamber (mm)	Barrel (cm)	Sights (mm)	Chokes (type)	Accessories	Pad
1301 Tactical	12	76	47,5	Ghost Ring	OCHP (CL)	Stock spacers	MicroCore
1301 Tactical FDE	12	76	47,5	Ghost Ring	OCHP (CL)	Stock spacers	MicroCore
1301 Tactical OD Green	12	76	47,5	Ghost Ring	OCHP (CL)	Stock spacers	MicroCore
1301 Tactical Inox / Marine	12	76	47,5	Ghost Ring	OCHP (CL)	Stock spacers	MicroCore

1301 TACTICAL



1301 Tactical OD Green



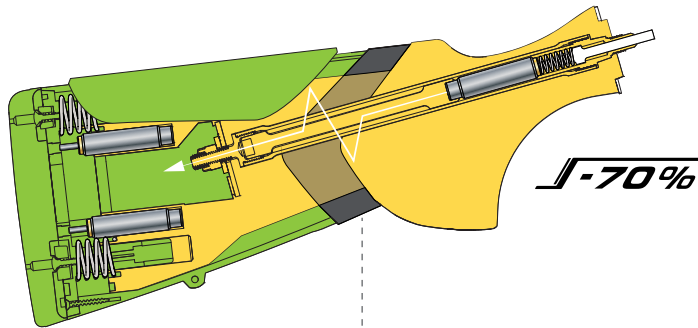
1301 Tactical Inox / Marine

The 1301 is Beretta's new gas operated semi-automatic shotgun engineered to be ultra-reliable and easy to use. Thanks to its compact size, it is ideal for negotiating tight spaces. It has all the features that a modern tactical shotgun should offer and it is easily adaptable to most users' needs, body type and shooting posture. Right out of the box, the 1301 Tactical features an oversized charging handle, large textured bolt release and an oversized reversible safety button. Although perfect out of the box, this tactical shotgun The integrated B-LINK gas operating system, featuring a cross tube gas piston, allows the 1301 Tactical to cycle 36% faster than any other shotgun on the market. This also makes it ideal for three-gun competitions.

BERETTA KICK-OFF SYSTEM

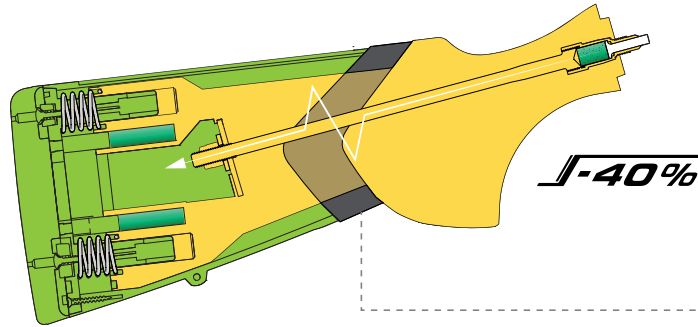
WORLD'S BEST RECOIL AND MUZZLE RISE REDUCTION

KICK OFF M



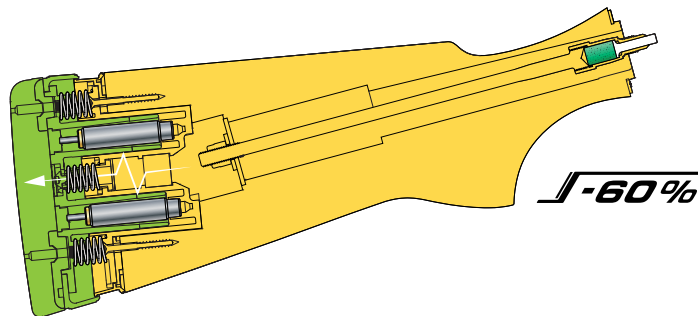
-70%

KICK OFF PLUS



-40%

KICK OFF



-60%

FIXED PART MOBILE PART

B (STEADY)

Kick-Off Mega is the most powerful recoil reduction system available today, ideal for 89 mm chambered shotguns, especially when you enjoy shooting high loads and hundreds of shots in a single day. It effectively combines 3 different devices that work synergistically, reducing the perceived recoil by up to 70%, ensuring greater stability, better control and faster target acquisition. Two hydraulic shock absorbers, similar to those used in the automotive and aerospace industry, positioned close to the rubber insert, together with return springs, effectively act on the first recoil peak. A third hydraulic shock absorber, inserted in the tie-rod, acts on the second recoil peak caused by the impact of the slide against the receiver, further reducing the muzzle rise effect and the vibrations caused by the movement of the slide.

Kick-Off Plus consists of two elastomer shock absorbers, positioned close to the rubber insert and equipped with return springs, which effectively act on the first recoil peak, reducing its perception up to 40%. A third elastomer shock absorber, inserted in the tie rod, absorbs the impact of the slide against the receiver, reducing the second recoil peak, the muzzle rise effect and the vibrations caused by the movement of the slide.

Kick-Off is the first recoil reduction system developed by Beretta using hydraulic shock absorbers similar to those used in the automotive and aeronautical sectors. It consists of two shock absorbers inserted close to the butt plate, completed by return springs, which effectively act on the first recoil peak, reducing the perceived recoil up to 60%. A third elastomer shock absorber, inserted in the tie-rod, acts on the second recoil peak caused by the impact of the slide against the receiver, further reducing the muzzle rise effect and the vibrations caused by the movement of the slide.

The **B-Steady** system divides the stock into two sections: stock and pistol. The point of absorption of the recoil is in an advanced position, integral with the pistol, which is free to move back, leaving the stock stable and avoiding the annoying sliding of the nose piece on the cheek. The face remains firm and perfectly steady on the stock, without ever losing the line of sight.



STEELIUM BARREL

THE BEST BALLISTIC PERFORMANCE ON THE MARKET



The ingredients of the stunning performance of the Beretta **Steelium barrels** are: the exclusive tri-alloy Beretta steel (Ni, Cr, Mo), the deep drilling, the cold hammer forging, the vacuum distension and the 80 mm. extended forcing cone. The inner profile of the OptimaBore HP barrels has been designed and tested to provide perfect accuracy with every type of shells: lead, steel and High Performance steel. This results in perfect patterns on every shot.

The **Steelium Plus** barrels have a triple forcing cone that reaches a length of 320 mm (in a 76 cm barrel). In **Steelium Pro** barrels, the length of the forcing cone is further extended, up to 450 mm (in 76 cm barrels). This progressive inner profile of the barrel provides smoother shot with reduced muzzle rise and guarantees perfect, dense and uniform patterns with any type of ammunition.

* The indicated lengths are based on 76 cm barrels.

LEGAL NOTES: while every effort has been made to make this catalog as complete and accurate as possible, changes may occur at any time in the illustrations, descriptions, colors shown, and technical specs listed. Beretta provides ongoing improvements to its products and consequently, all specifications can vary without notice.





BERETTA GALLERY

LONDON

36 St. James's Street
London SW1A 1JD, U.K.
Tel. +44 207 408 4411

PARIS

57, Rue Pierre Charron
75008 Paris, France
Tel. +33 1 56 88 59 59

NEW YORK

718 Madison Avenue
New York, NY 10065, U.S.A.
Tel. +1 212 319 3235

DALLAS

41 Highland Park Village
Dallas, TX 75205, U.S.A.
Tel. +1 214 559 9800

BUENOS AIRES

Arenales 1654/56
C1061AAT CABA, Argentina
Tel. +54 114 8139 258

LONDON

Beretta at HARRODS
87-135 Brompton Road
London, SW1X 7XL, U.K.
Tel. +44 207 730 1234 ext. 2092

MILANO

Beretta at RAVIZZA
Via Hoepli, 3
20122 Milano, Italia
Tel. +39 02 7602 8325

MOSCOW

Beretta at KOLCHUGA
Varvarka str. 3
109012, Moscow, Russia
Tel. +8 495 234 34 43

MADRID

Beretta at EL CORTE INGLÉS
Raimundo Fernández de Villaverde, 79
28003 Madrid, España
Tel. +34 914 18 88 00

MEMPHIS

Beretta at BASS PRO SHOPS
1 Bass Pro Drive
Memphis Pyramid, TN 38105, U.S.A.
Tel. +1 901-291-8200